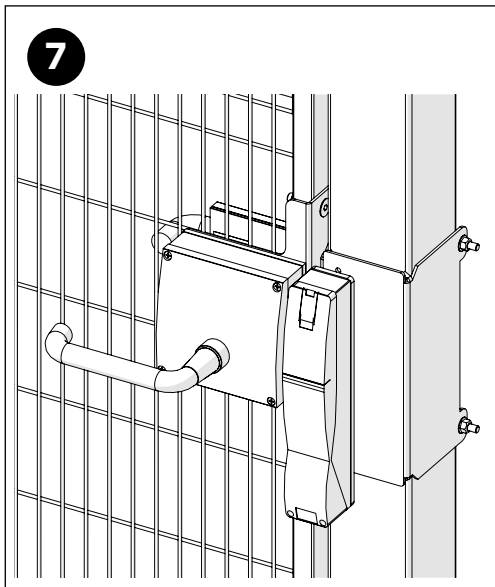
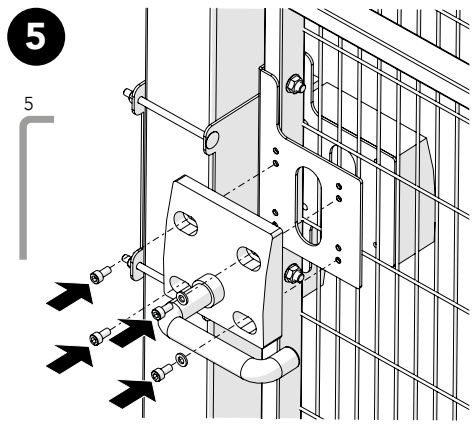
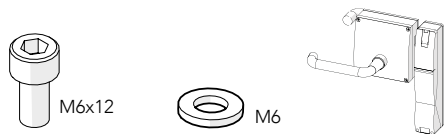
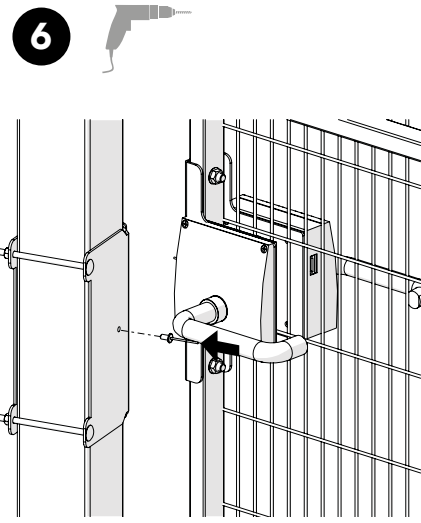
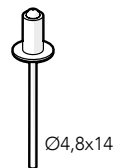


Bag for kit 8190 + AZM201



Bag for kit 8190



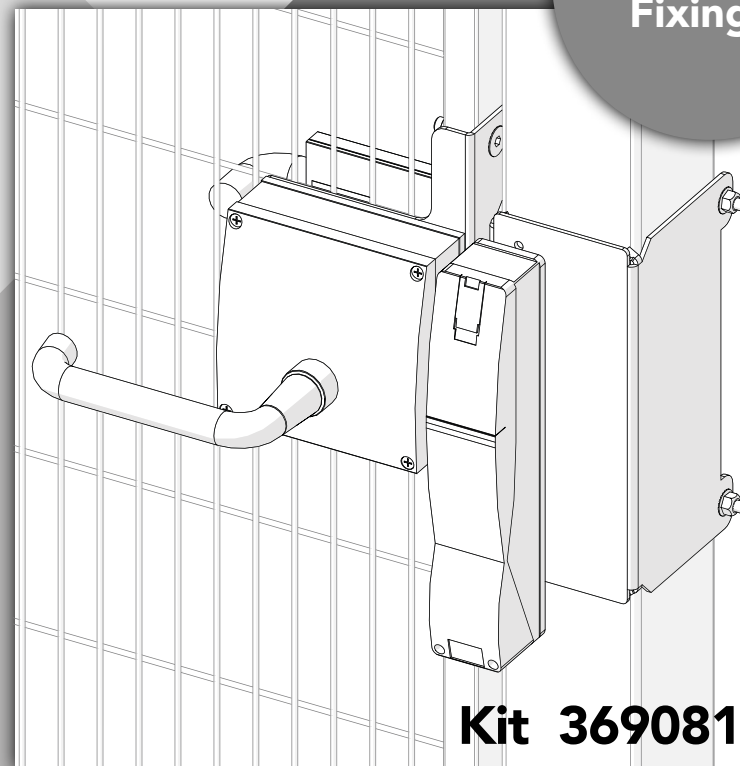
Art no: 88754713 ver. 03

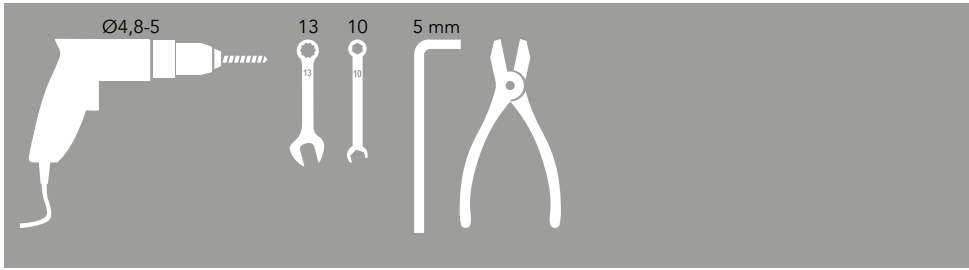
Art no: 88754713 ver. 03 Print no: 202104-6346-EN



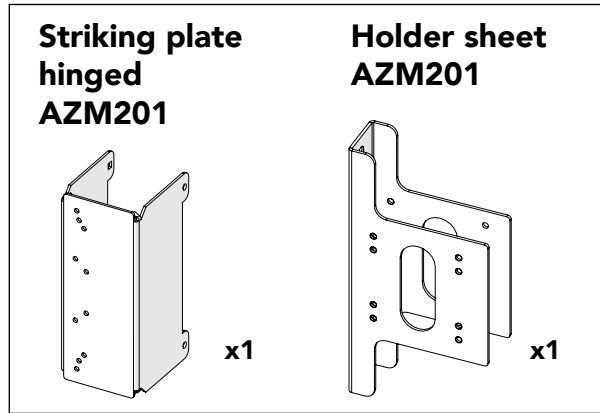
Machine guarding

AZM201 Fixing 5

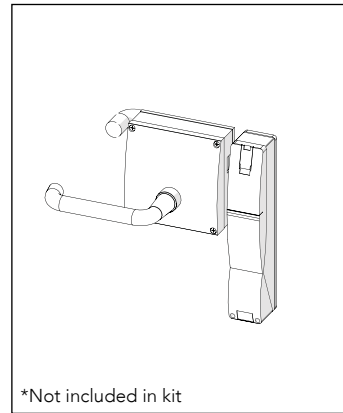




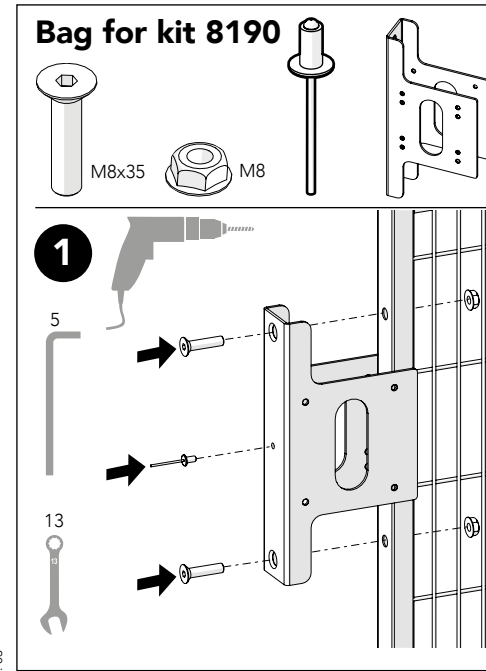
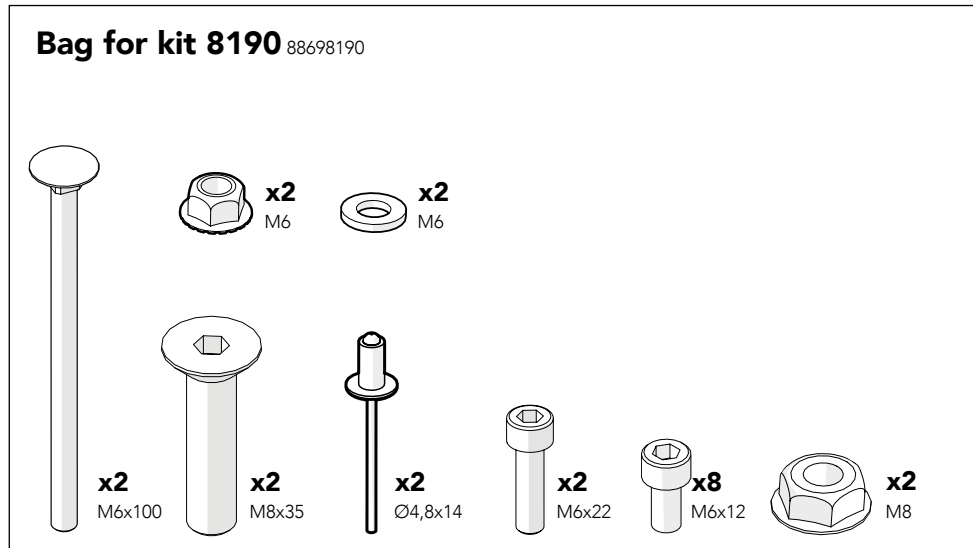
Kit AZM201 Fixing 5



AZM201*



Art. no: 88754713 ver. 03



Art. no: 88754713 ver. 03

