

ASSEMBLY INSTRUCTION
– JUST FOLLOW ME

AZM 201 FIXING 2

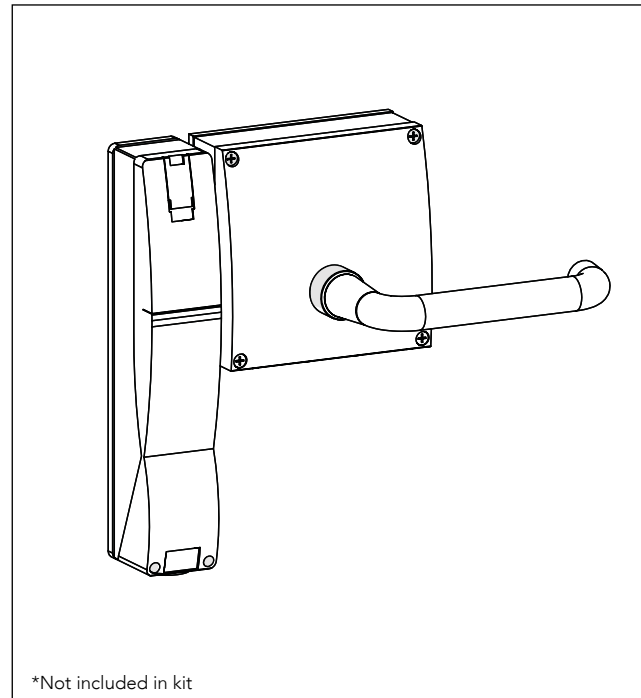
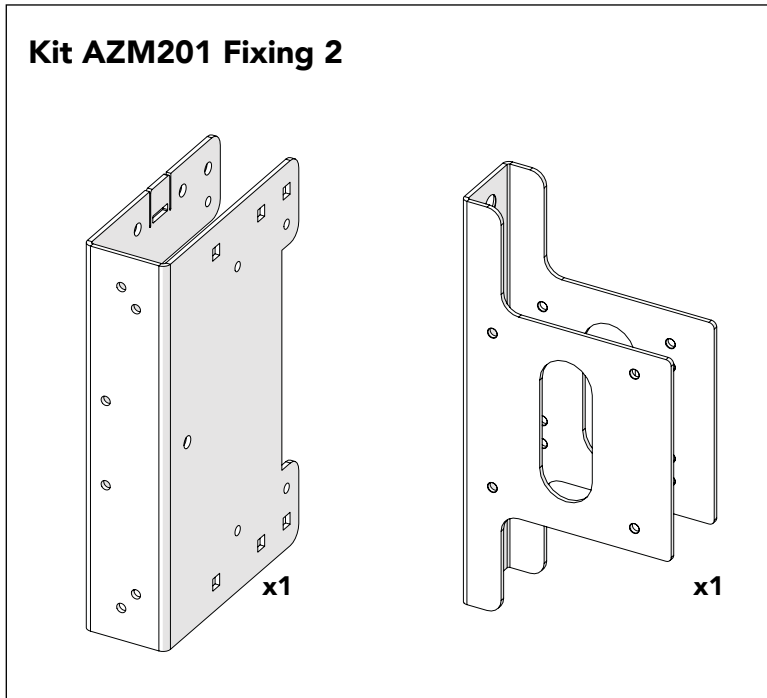
KIT 36905090



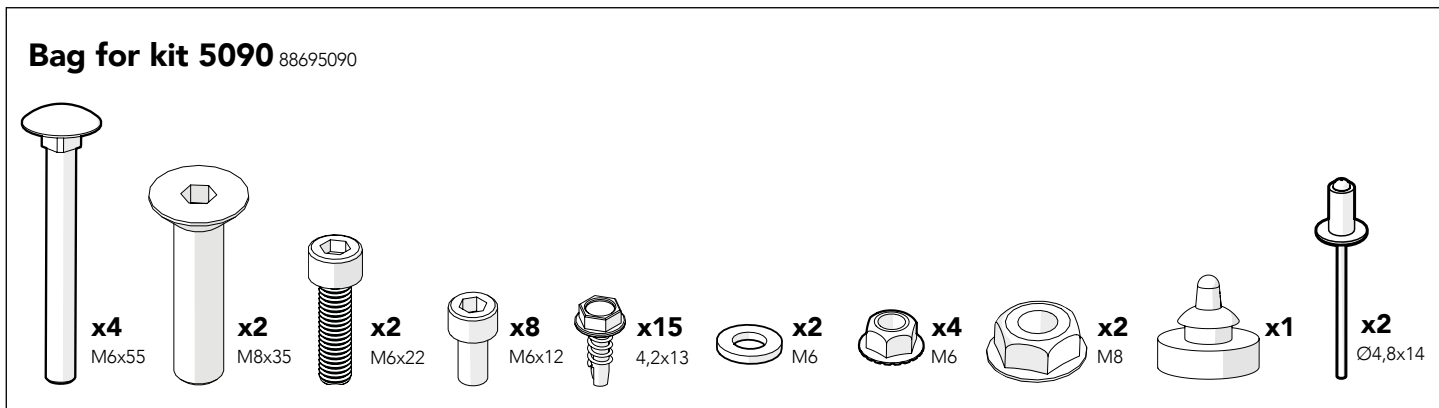


Kit AZM201 Fixing 2

AZM201*



Art no: 88754711 ver. 004



Bag for kit 5090

1

M8x35

M8

Ø4,8x14

5 13

Bag for kit 5090 + AZM201

M6x12

2

Mesh

5

PC

Steel

Bag for kit 5090

M6x12

M6

+ AZM201

3

5

Bag for kit 5090

M6x55

M6

4

10

5

Dbl Sliding

Bag for kit 5090

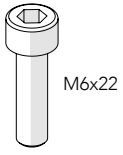
M6x55

+ AZM201

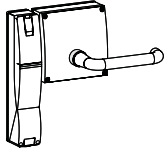
6

10

**Bag for
kit 5090**

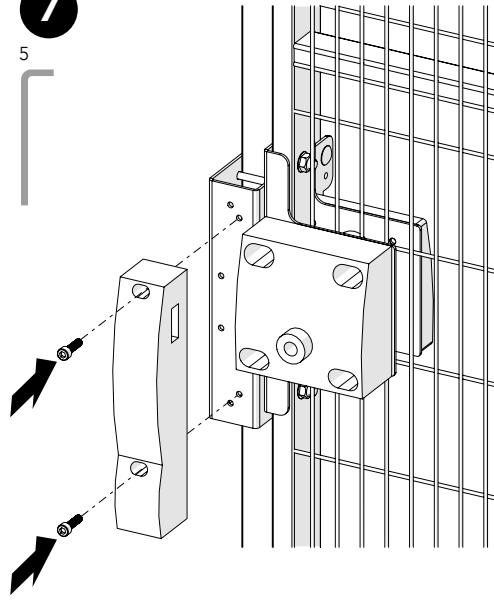


+ AZM201

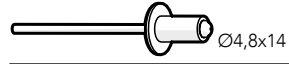


7

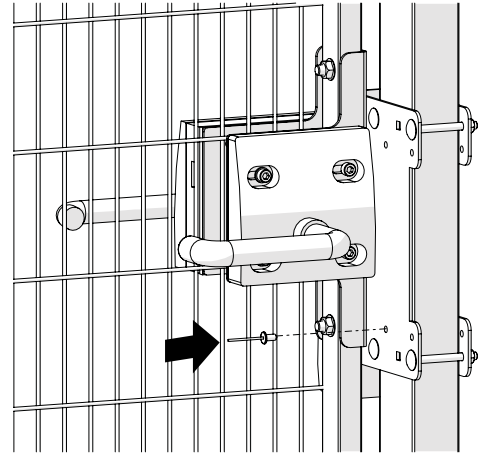
5



Bag for kit 5090



8



9

