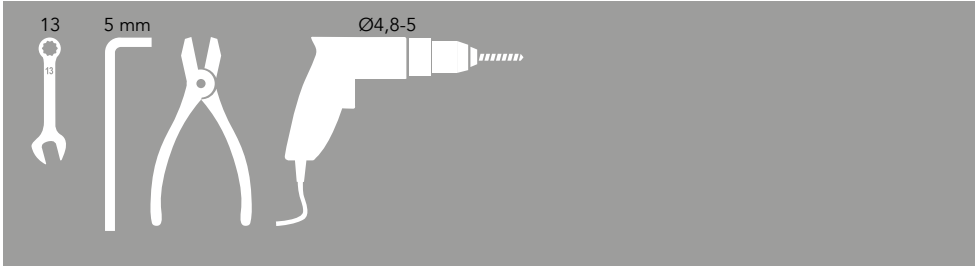


ASSEMBLY INSTRUCTION
– JUST FOLLOW ME

AZM201 FIXING 3

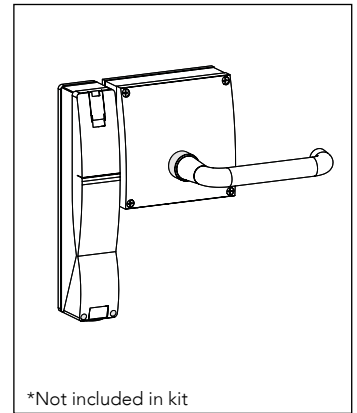
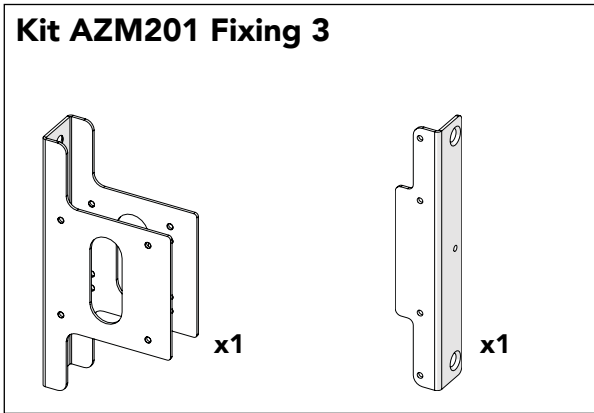
KIT 36908320



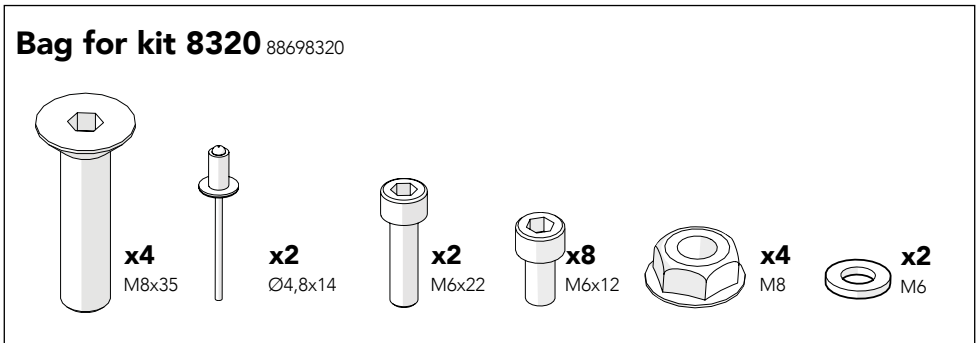


Kit AZM201 Fixing 3

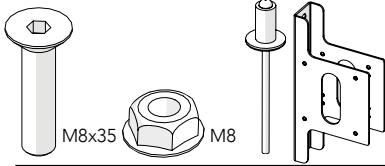
AZM201*



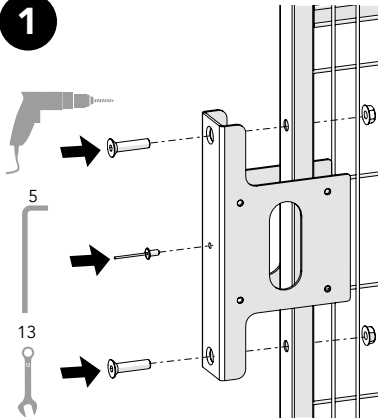
Art no: 88754712 Ver: 004



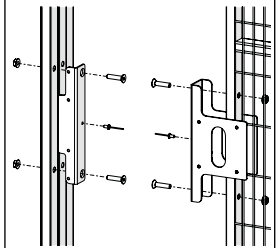
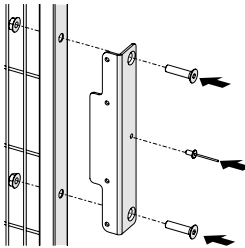
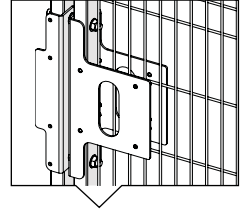
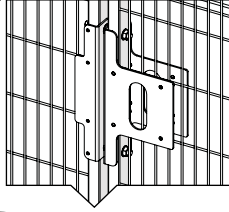
Bag for kit 8320



1

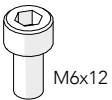


2

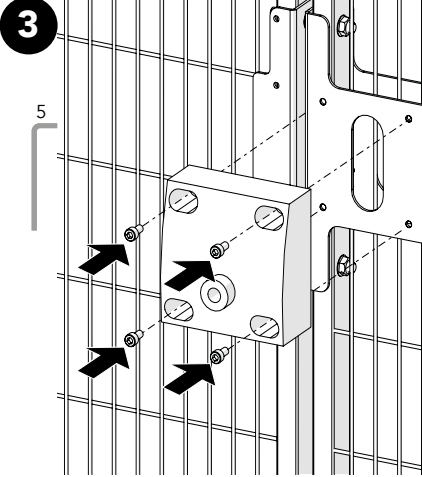


Art no: 88754712 ver. 004

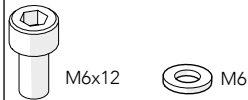
Bag for kit 8320



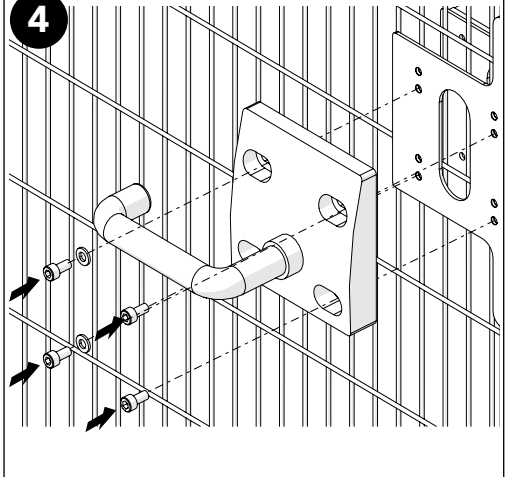
3



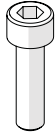
Bag for kit 8320



4



Bag for kit 8320

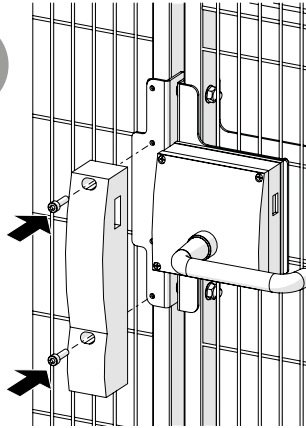


M6x22

5



5



6

