

TROAX

Machine
guarding

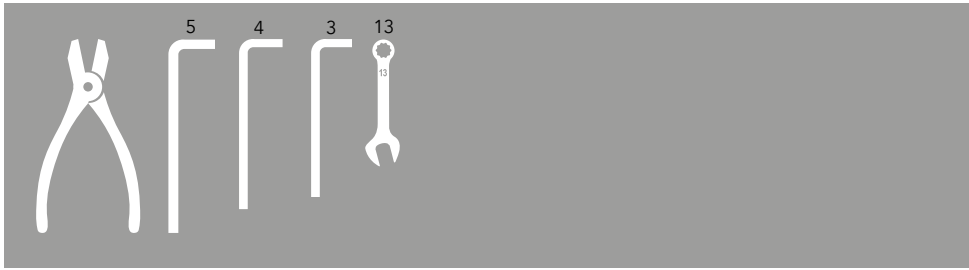
EC Lock
Double
Sliding
Door



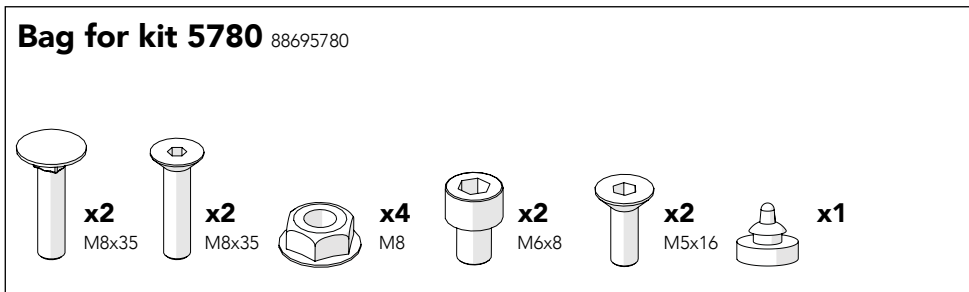
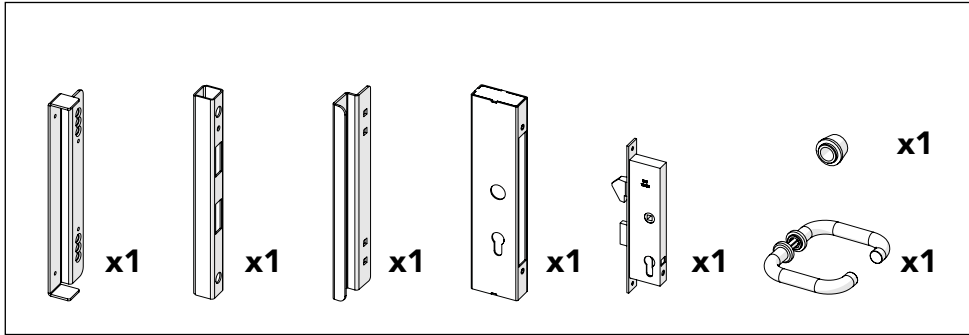
Kit 36905780

Art no: 88754703 ver. 01

Art no: 88754703 ver. 01
Print no: 201708-4034-EN



Kit EC Lock Double Sliding Door



Art no: 88754703 ver. 01

