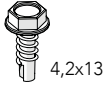
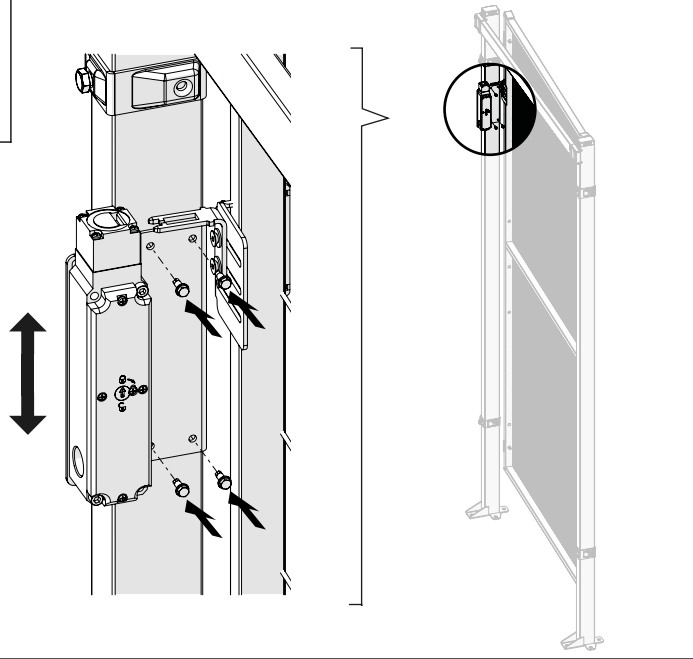


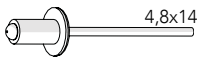
Bag for kit 6210



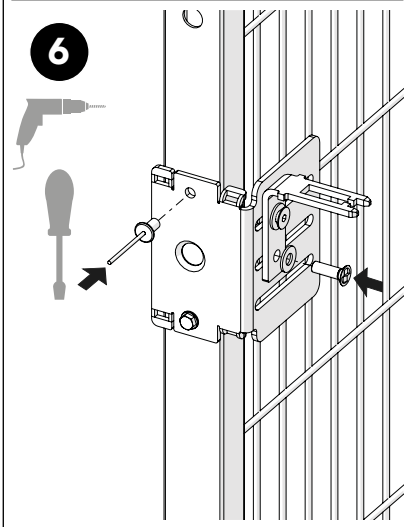
5



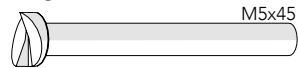
Bag for kit 6210



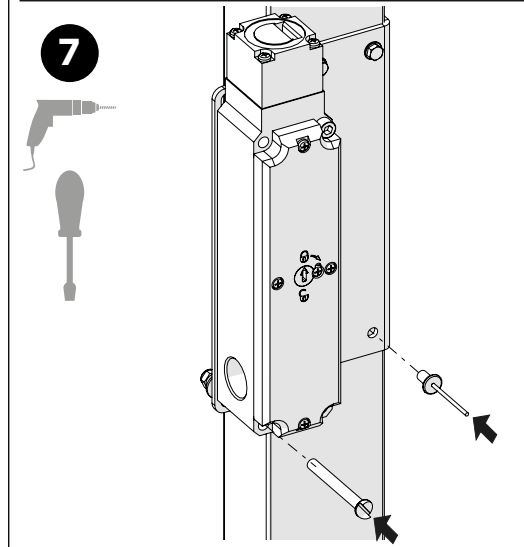
6



Bag for kit 6210

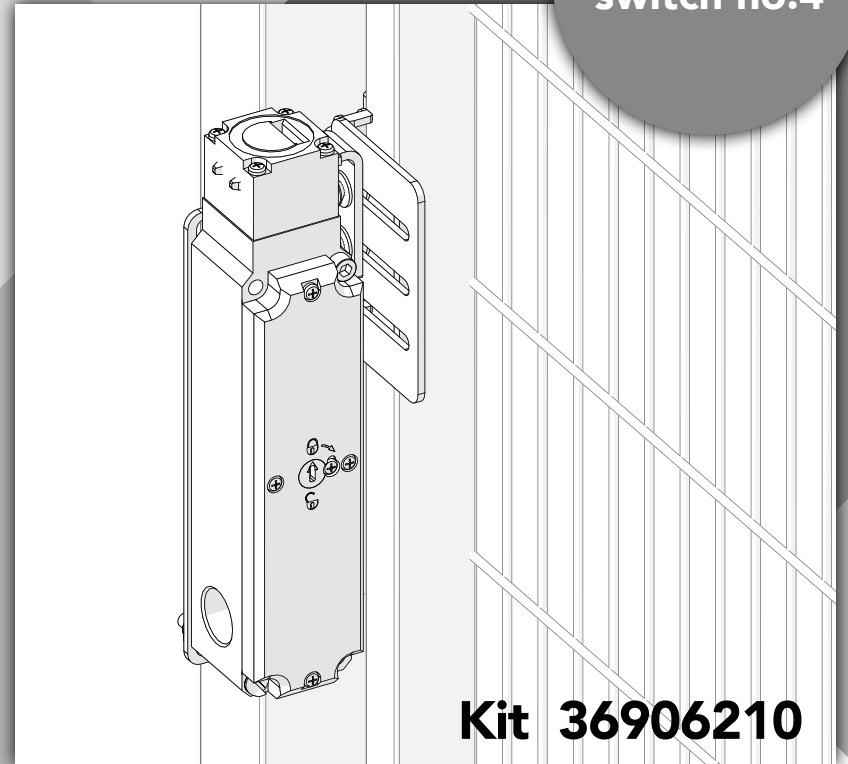


7



Machine guarding

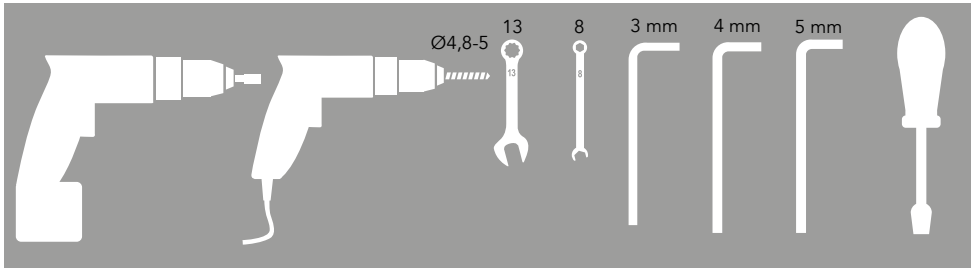
Kit for switch no.4



Kit 36906210

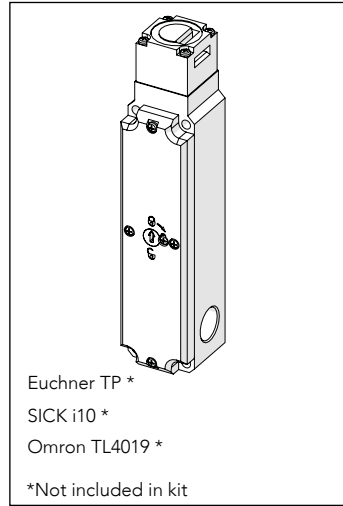
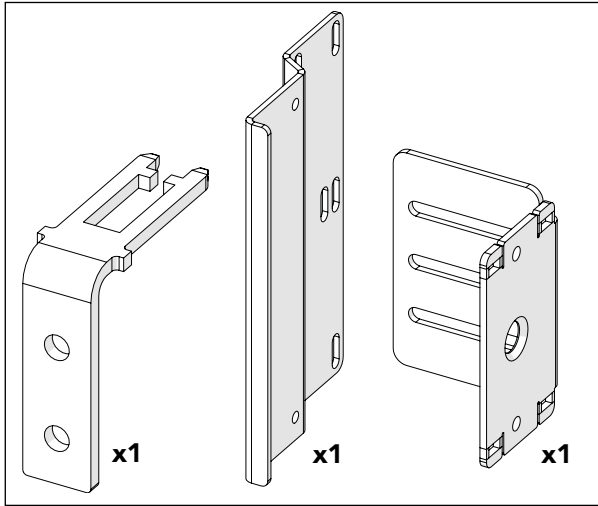
Art no: 88754247 ver. 02  
Print no: 201811-2068-EN





## Kit for switch no.4 36906210

## Fits switches



Art no: 80754247 ver. 02

Art no: 88754247 ver. 02

