

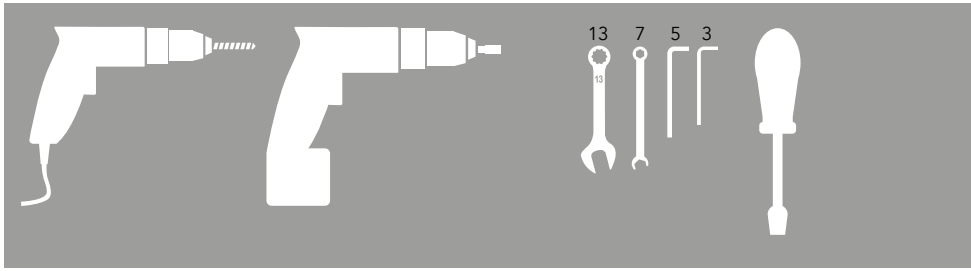
Art no: 88754481 ver. 01

Art no: 88754481 ver. 01

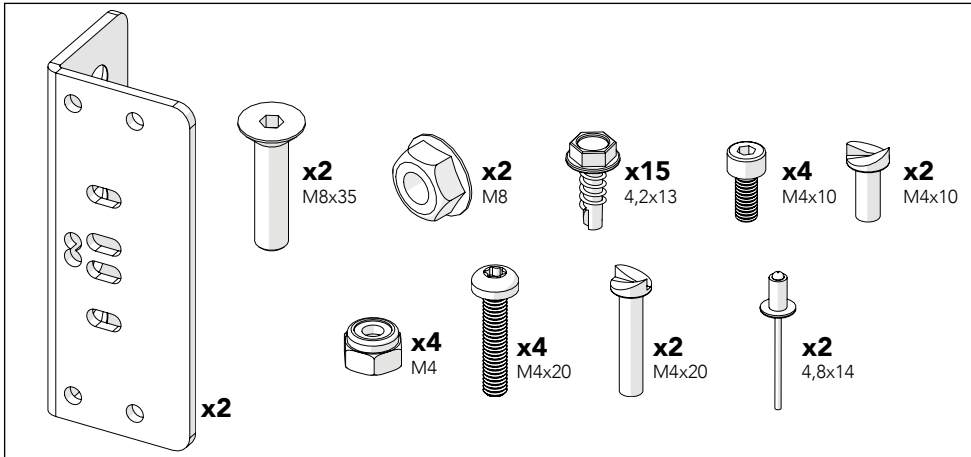
Print no: 201901-6791-EN

Kit switch  
Telescopic Door



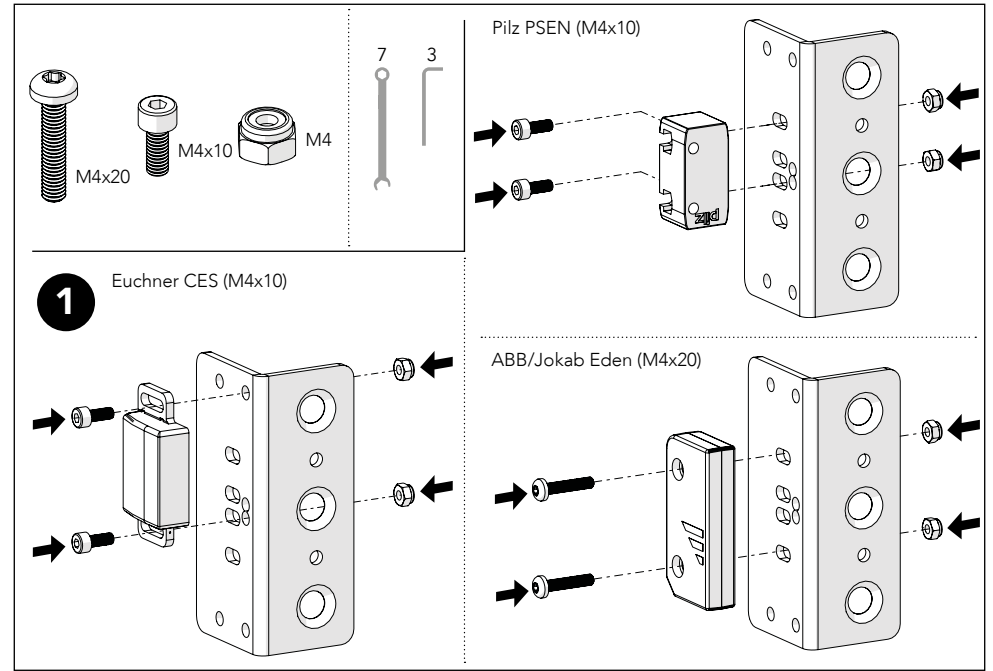
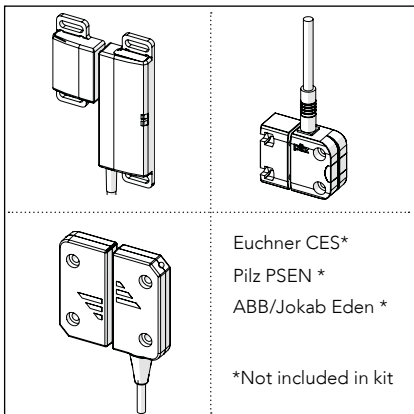


## Kit switch Telescopic Door 36906240



Art no: 88754481 ver. 01

## Fits switches



Art no: 88754481 ver. 01

