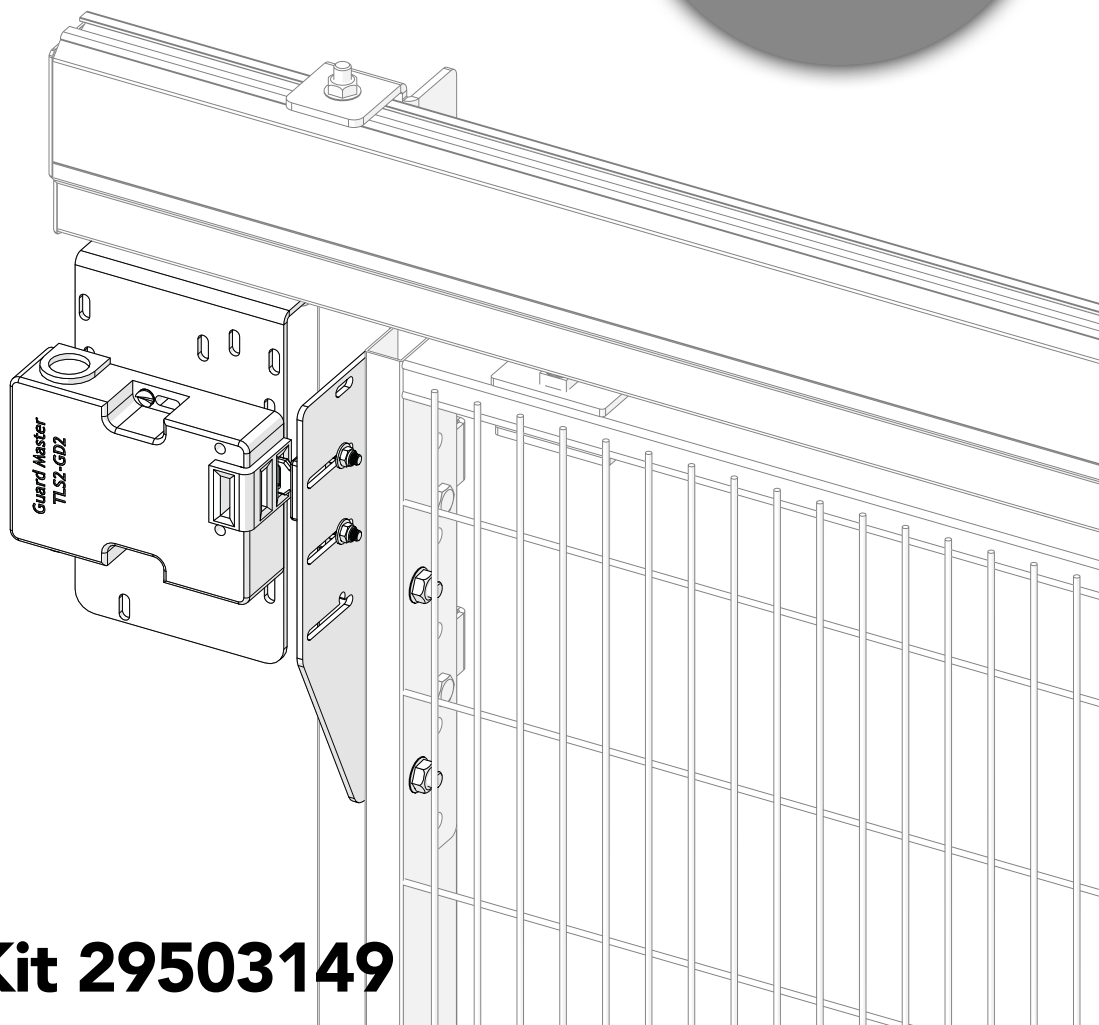
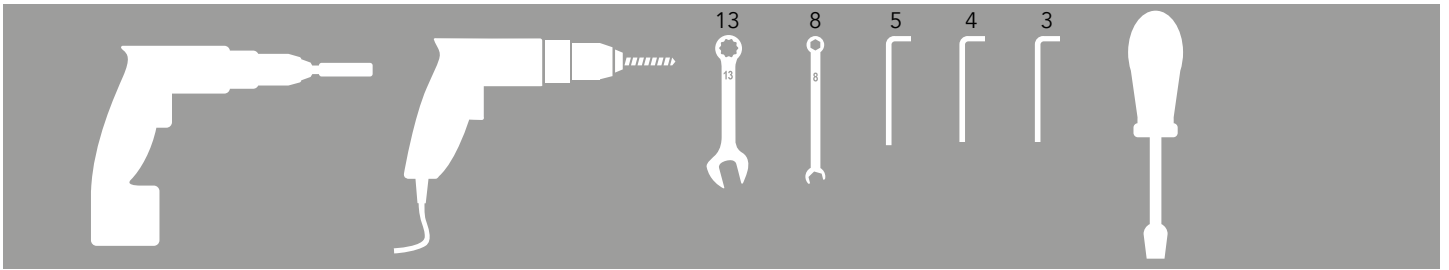


Kit for switch
no.2
Sliding door

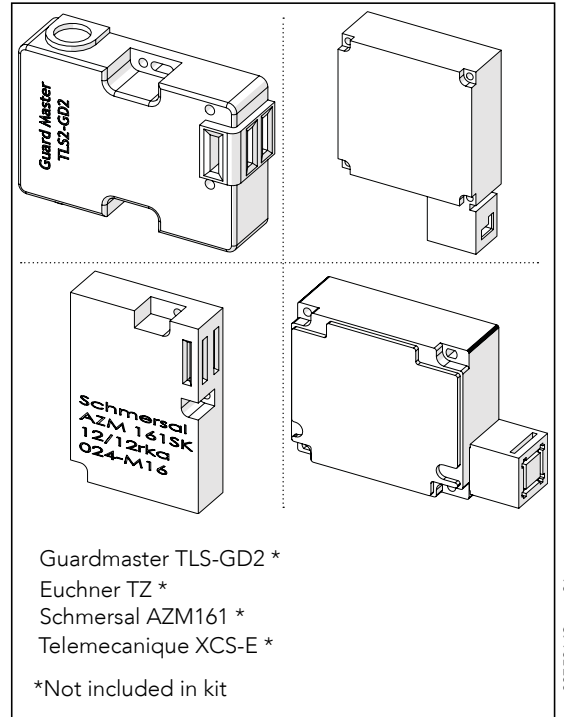
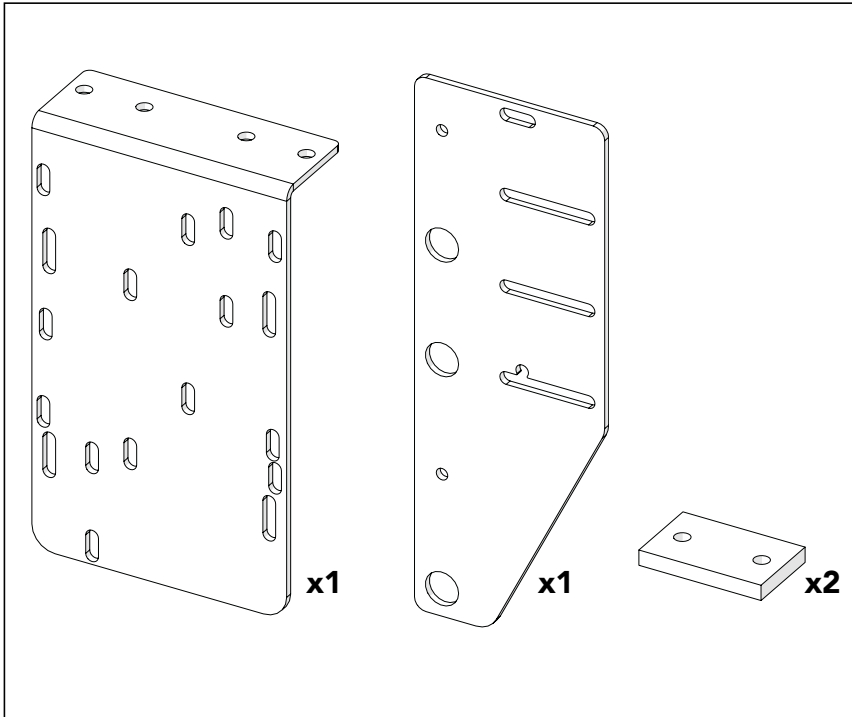


Kit 29503149

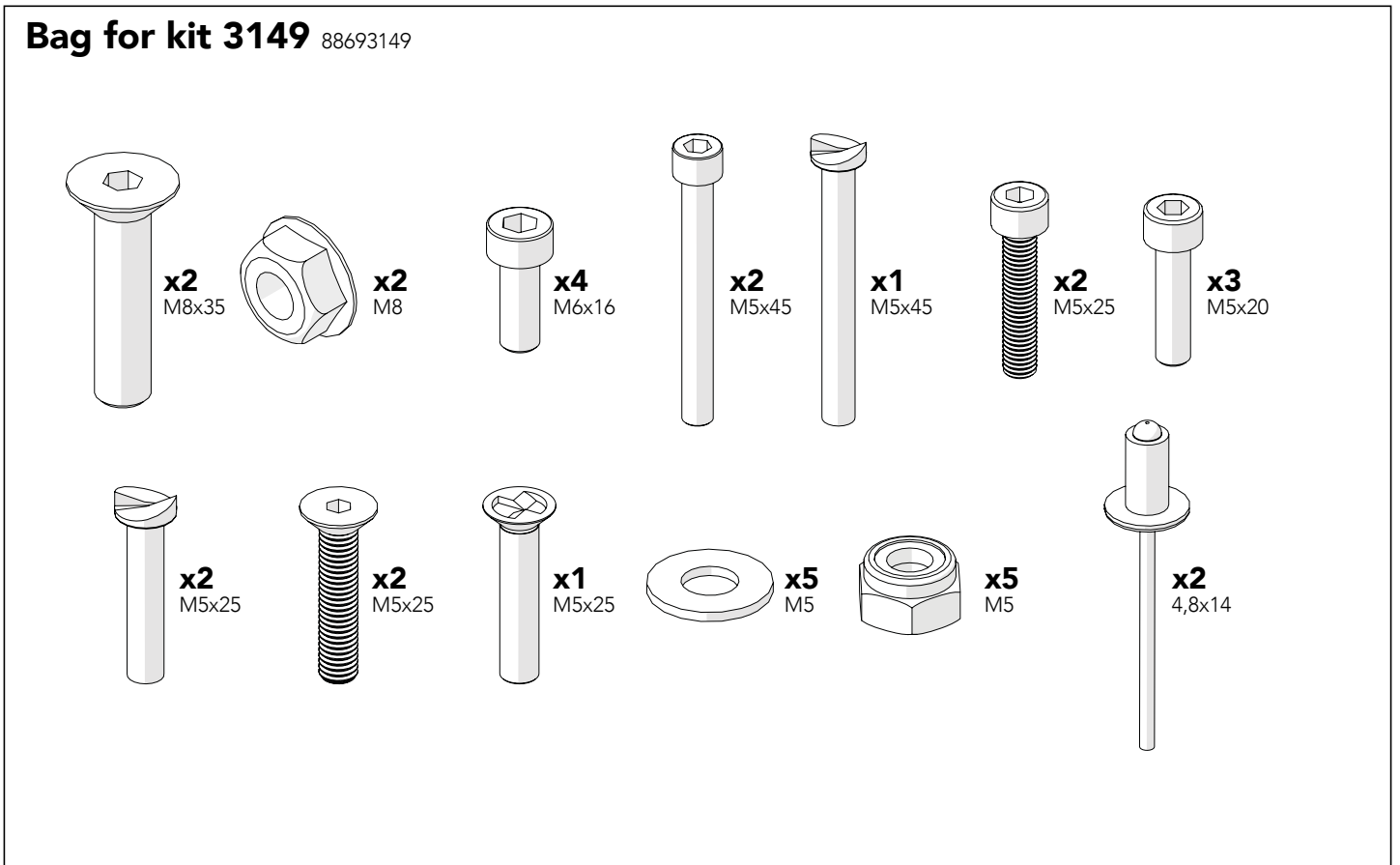
Art no: 88753149 ver. 01
Print no: 201902-3840-EN



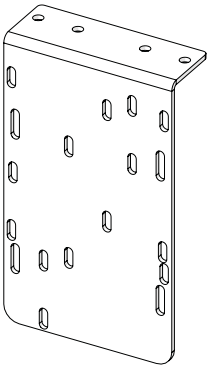
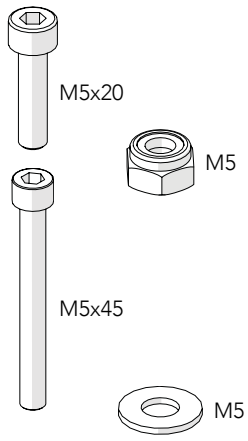
Kit for switch no. 2 sliding 29503149 Fits switches



Art no: 88753149 ver.01

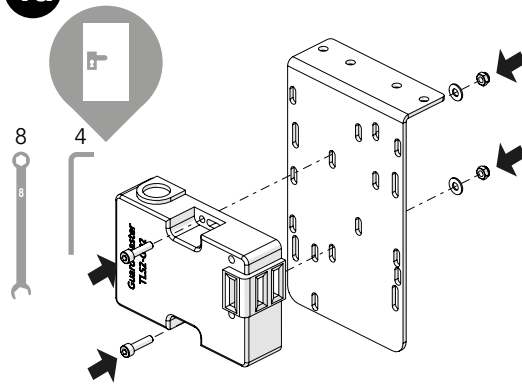


Bag for kit 3149

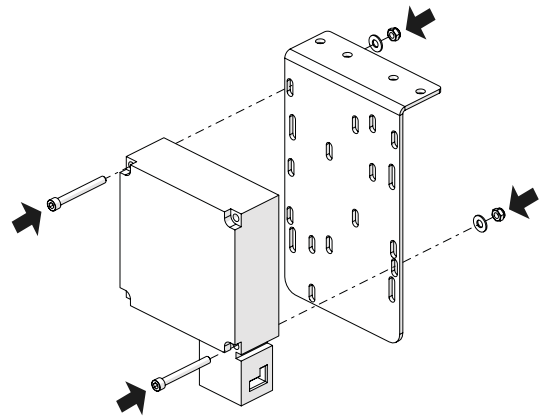


1a

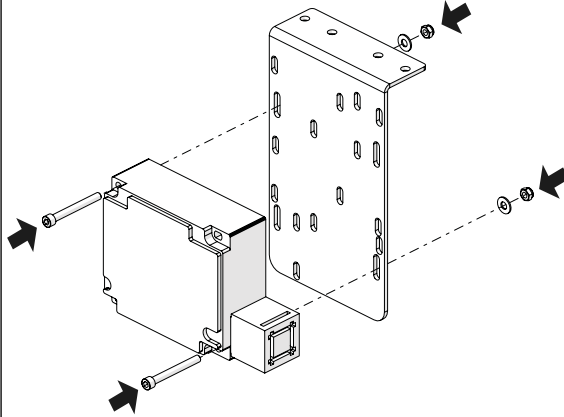
Guardmaster TLS-GD2 (M5x20)



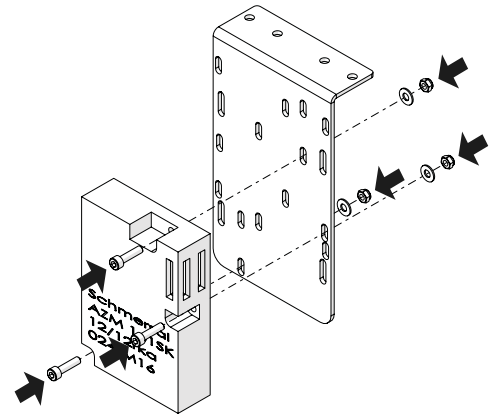
Euchner TZ (M5x45)



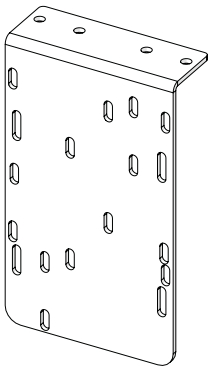
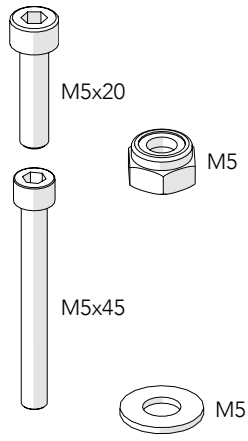
Schmersal AZM161 M5x45



Telemecanique XCS-E (M5x20)

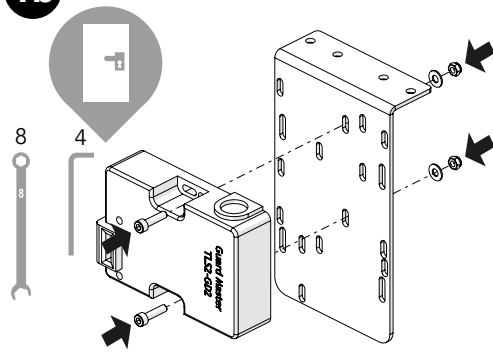


Bag for kit 3149

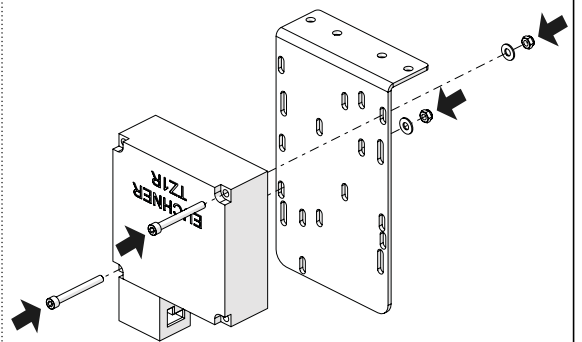


1b

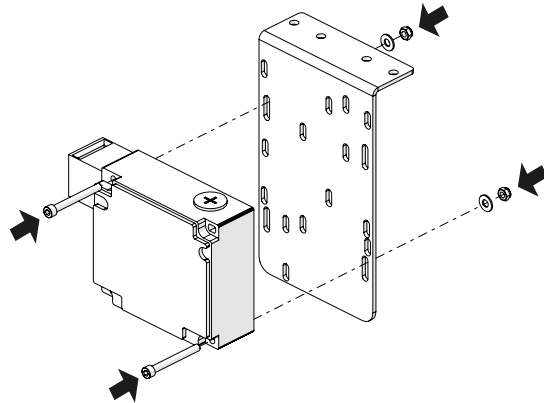
Guardmaster TLS-GD2 (M5x20)



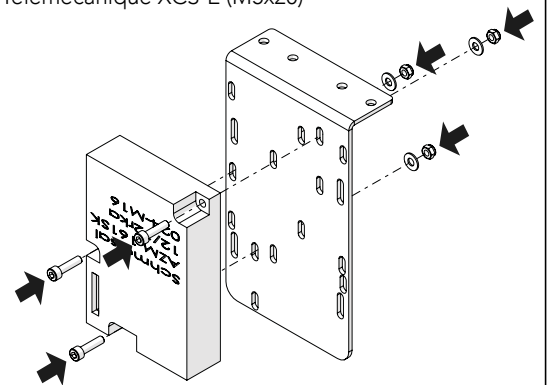
Euchner TZ (M5x45)



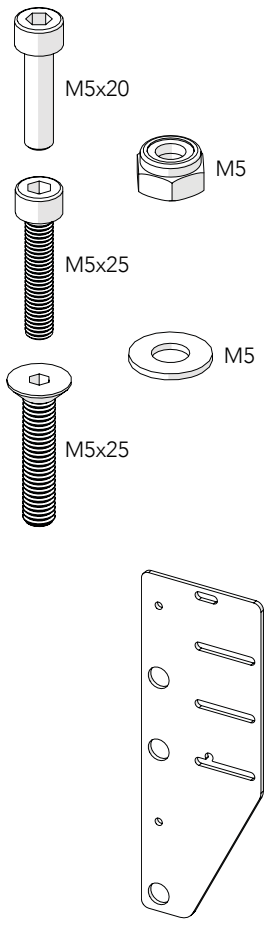
Schmersal AZM161 (M5x45)



Telemecanique XCS-E (M5x20)

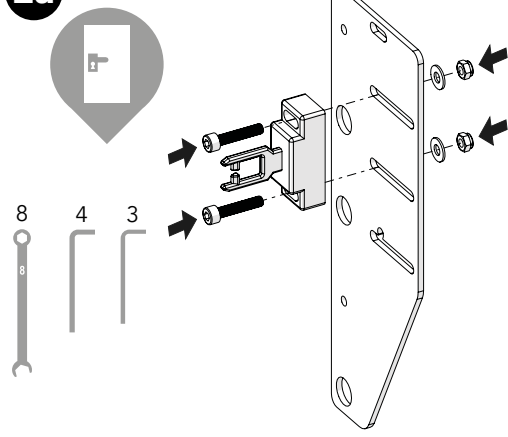


Bag for kit 3149

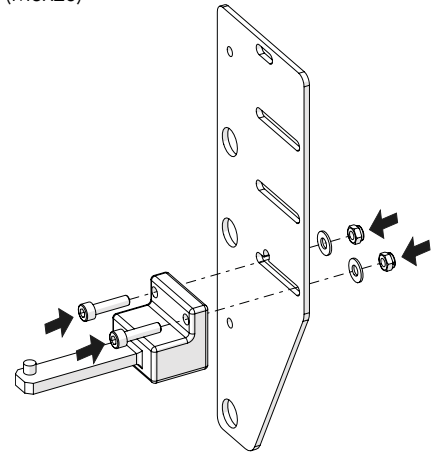


2a

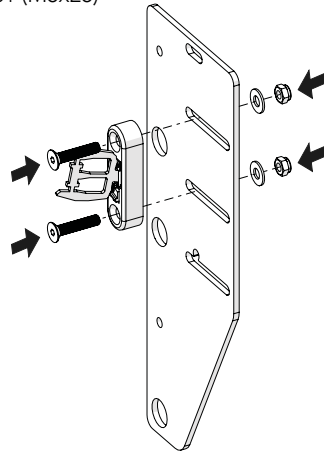
Guardmaster TLS-GD2 (M5x25)



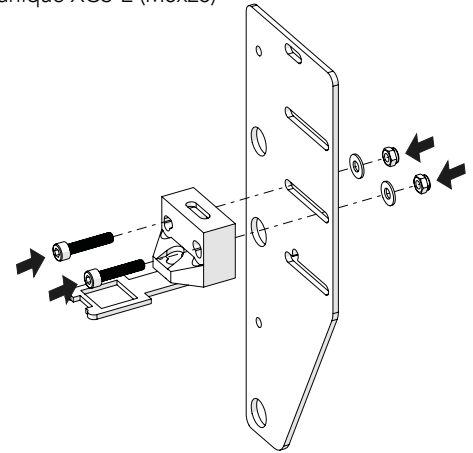
Euchner TZ (M5x20)



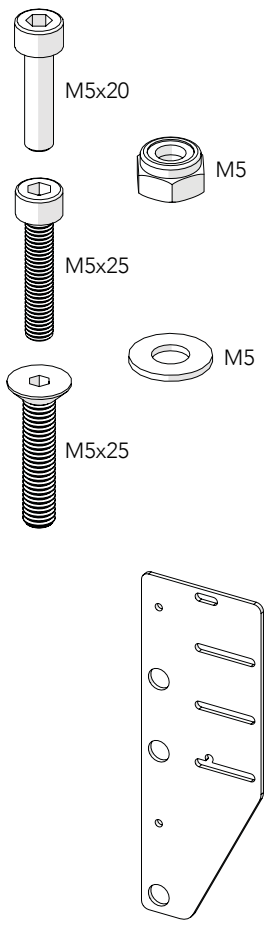
Schmersal AZM161 (M5x25)



Telemecanique XCS-E (M5x25)

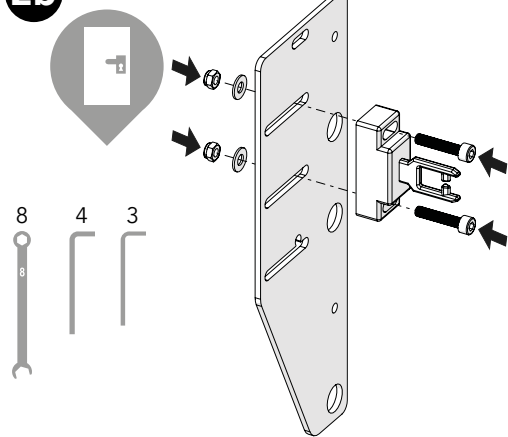


Bag for kit 3149

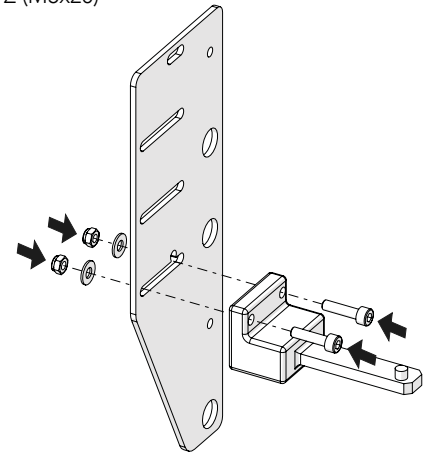


2b

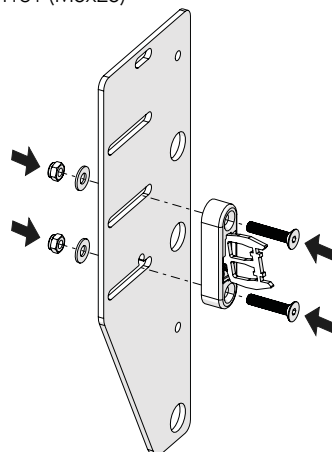
Guardmaster TLS-GD2 (M5x25)



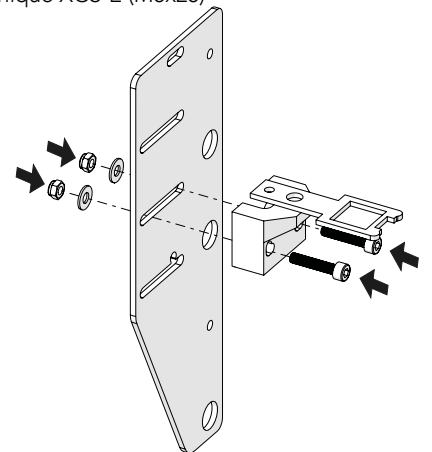
Euchner TZ (M5x20)



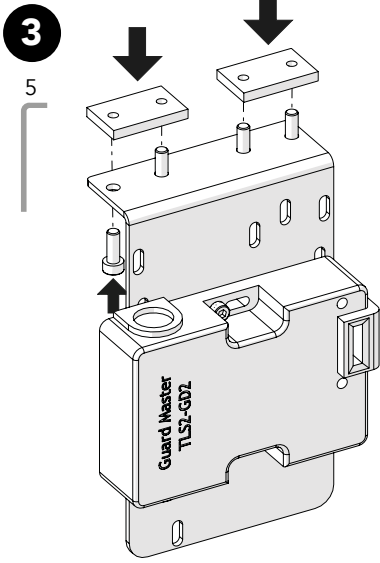
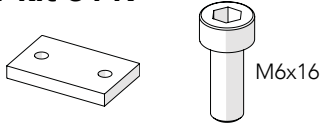
Schmersal AZM161 (M5x25)



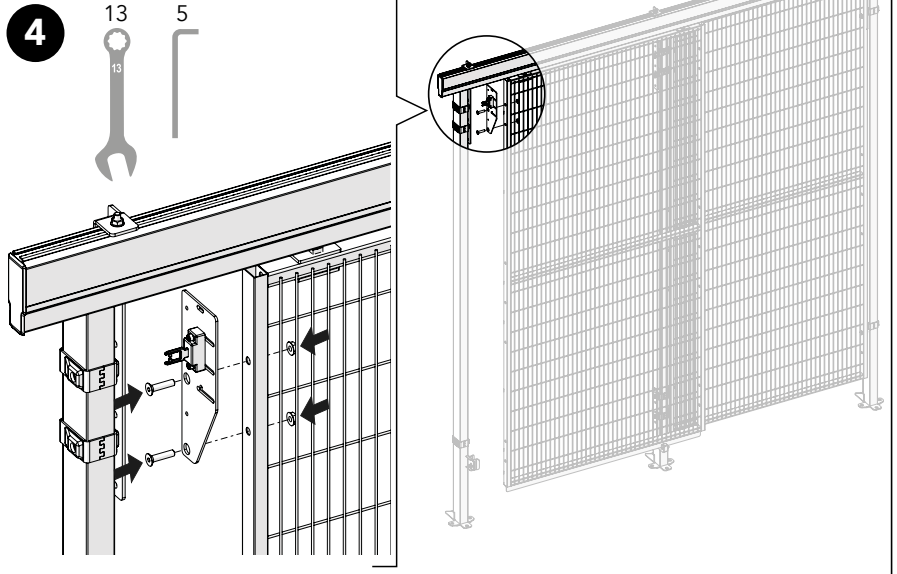
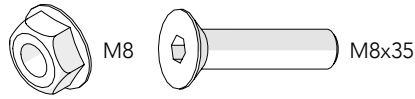
Telemecanique XCS-E (M5x25)



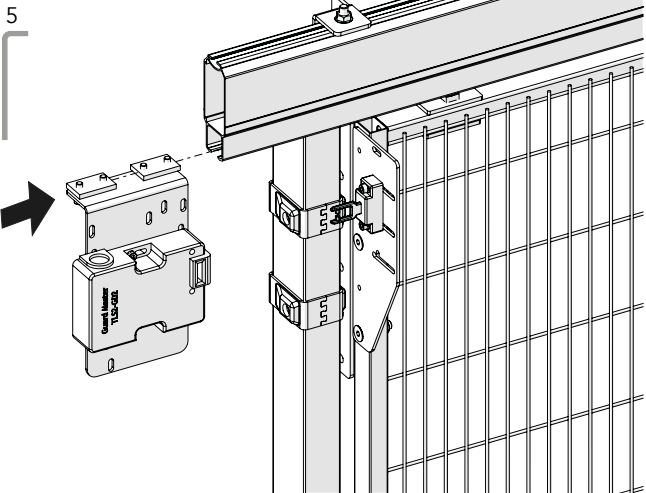
Bag for kit 3149



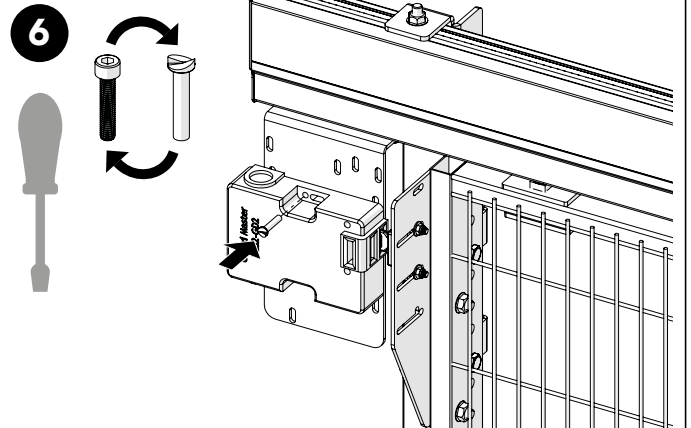
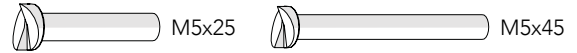
Bag for kit 3149



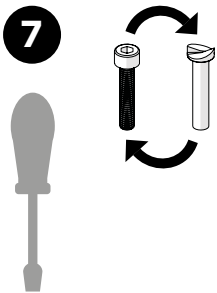
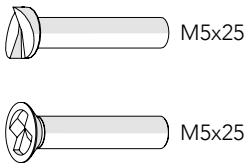
5



Bag for kit 3149



Bag for kit 3149



Bag for kit 3149

