



ASSEMBLY INSTRUCTION
– JUST FOLLOW ME

SNAPPER

KIT 36904020, 36904030

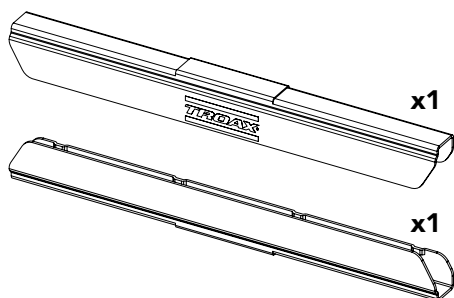


13

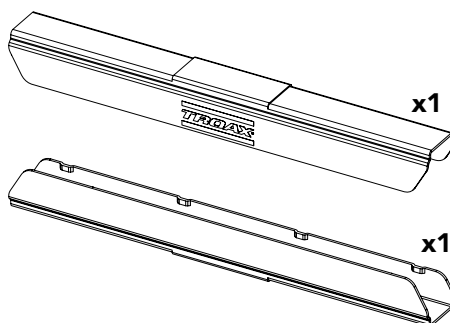


Snapper

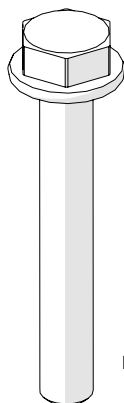
Kit Snapper ST20 36904020



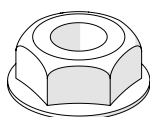
Kit Snapper ST30 36904030



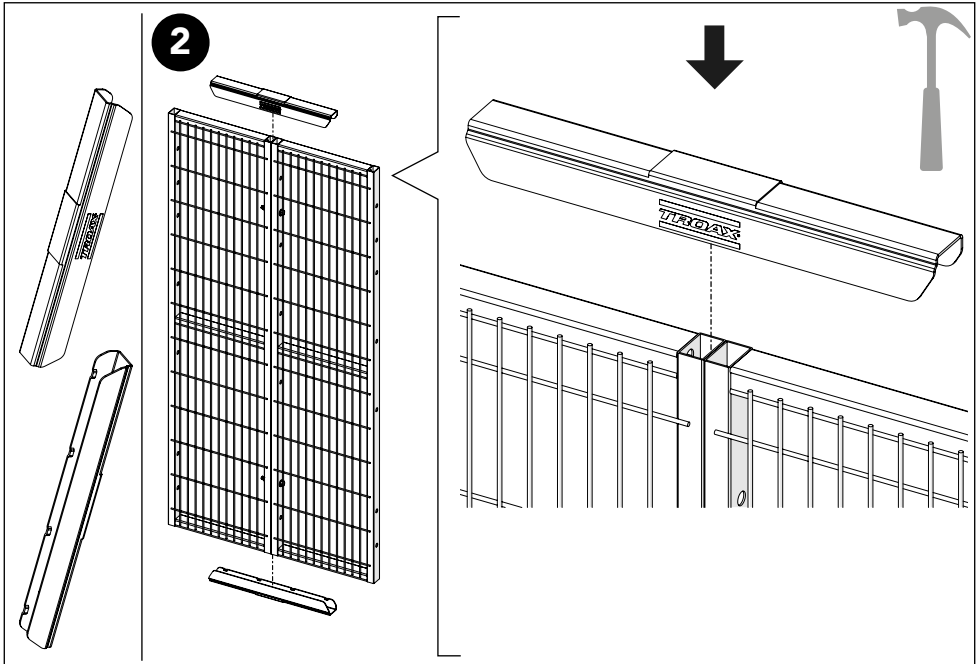
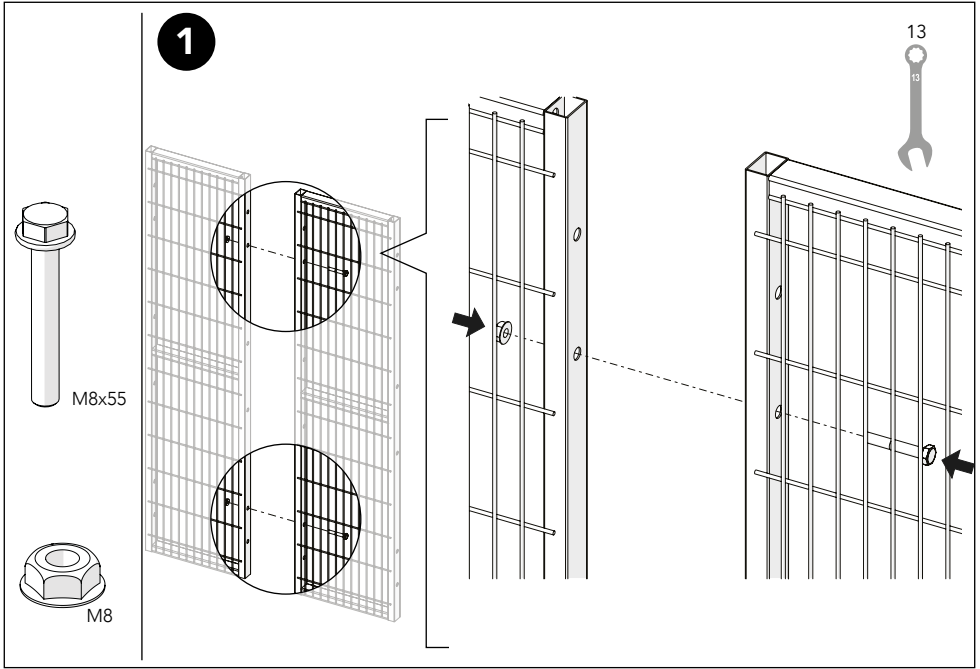
Art no: 98754090, ver. 002



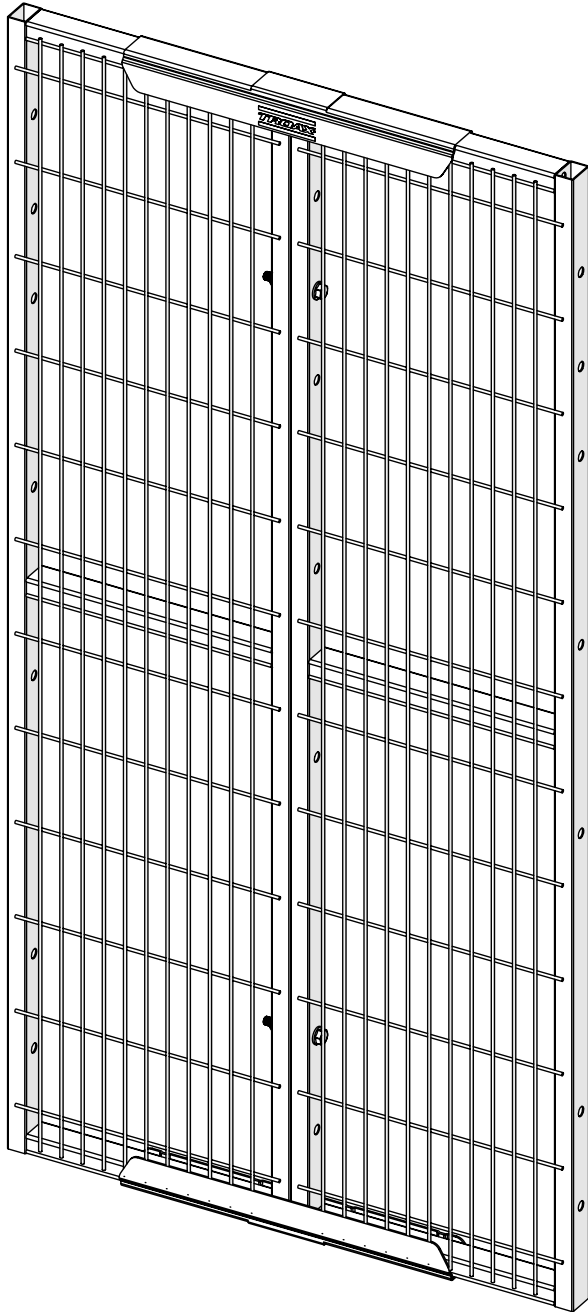
M8x55



M8



3



Art no: 98754090, ver. 002