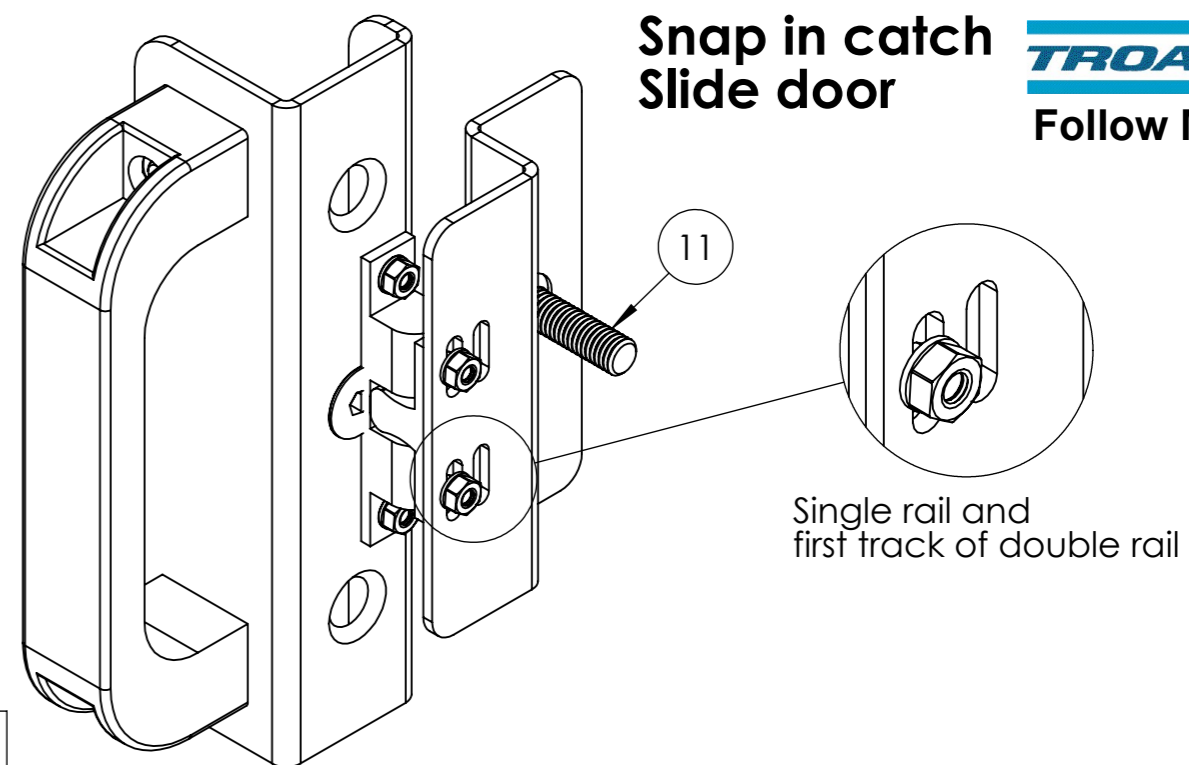
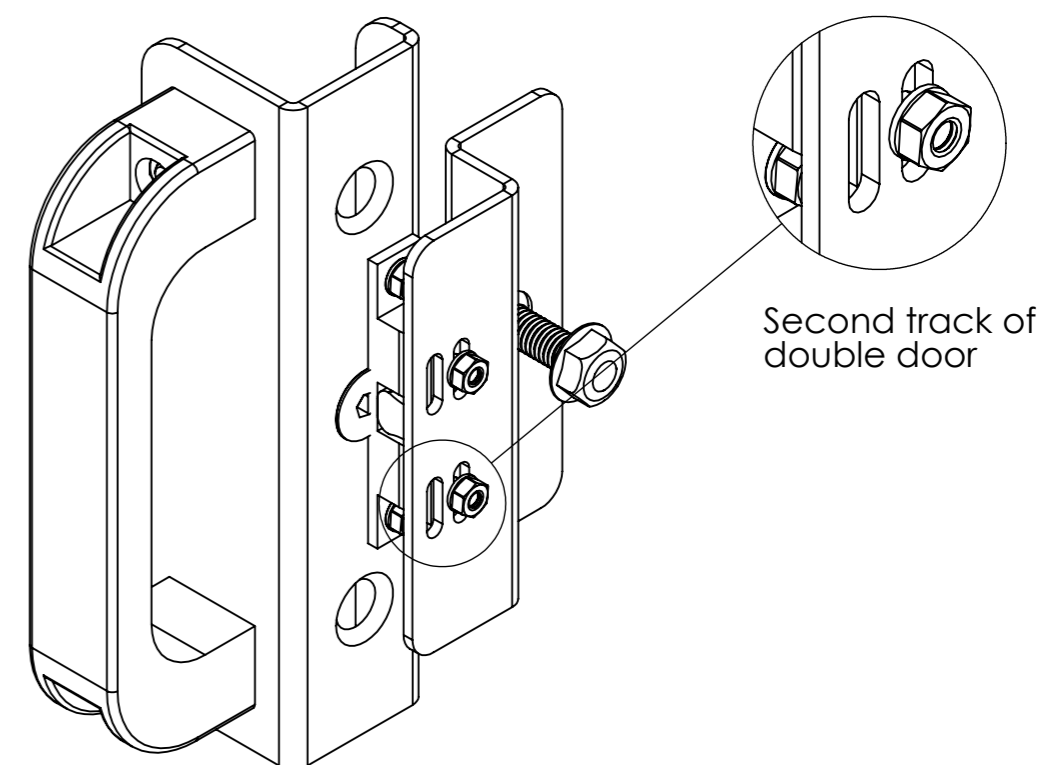


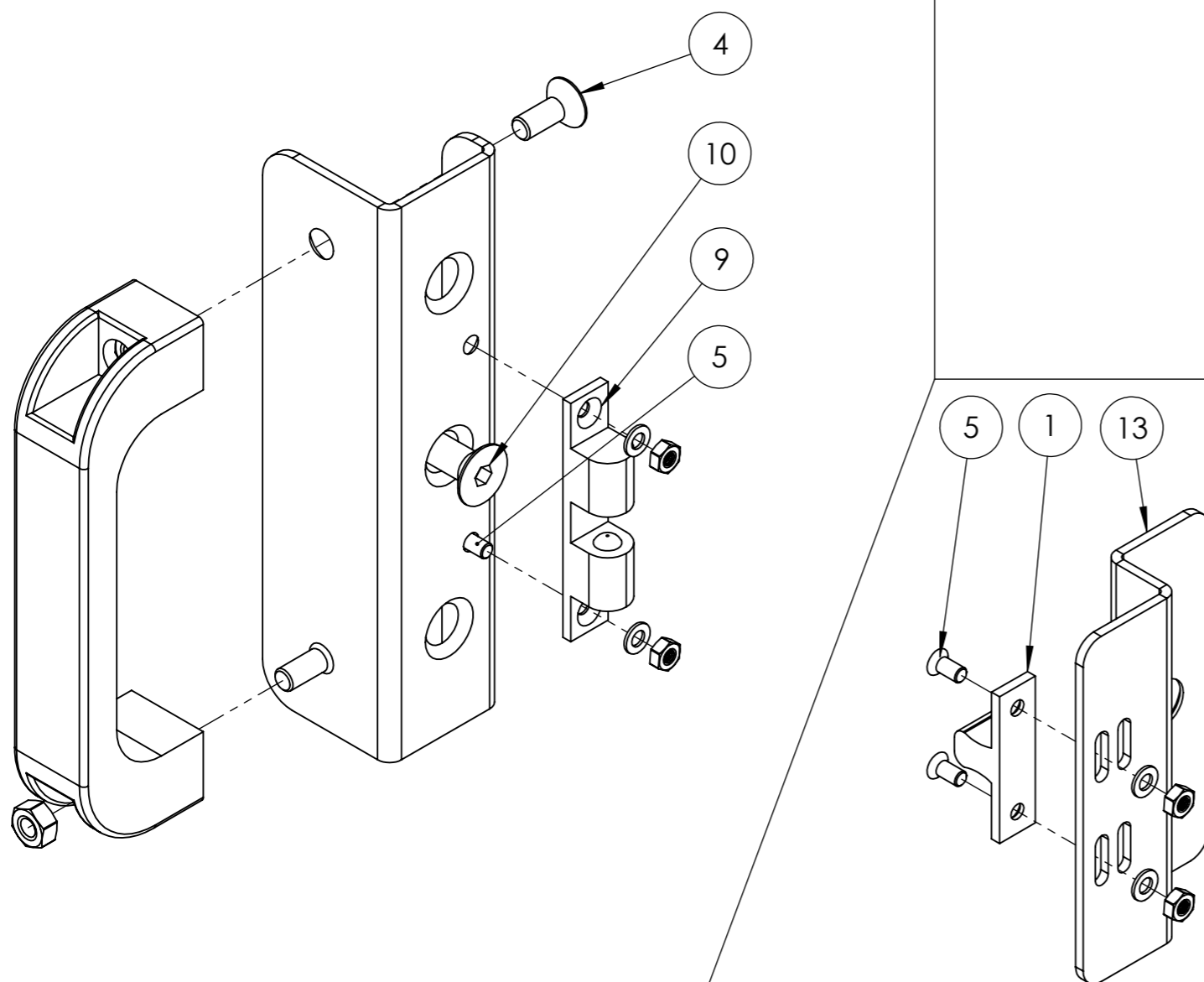
Snap in catch Slide door



Single rail and first track of double rail



Second track of double door



Pos	Pcs.	Description	Article.no
1	1	Lock Snap in catch	89051085-1
2	1	Handle Snap in catch	89200024
3	1	Fitting 705032	29501279
4	2	Bolt M6x16 MF6S	89050145
5	4	Screw MF6S 4x10	89050133
6	2	Nut M6 M6M	89050522
7	4	Nut M4 M6M	89050513
8	4	Washer 4,4x7,9x1	89050260
9	1	Lock Snap in catch	89051085-2
10	1	Screw MF6S M8x35 Din 7991	89050138
11	2	Nut M8 Tensifl.Din 6923	89050525
12	1	Screw MF6S M8x30	89050140
13	1	Fitting Snap-in catch slide	29501269