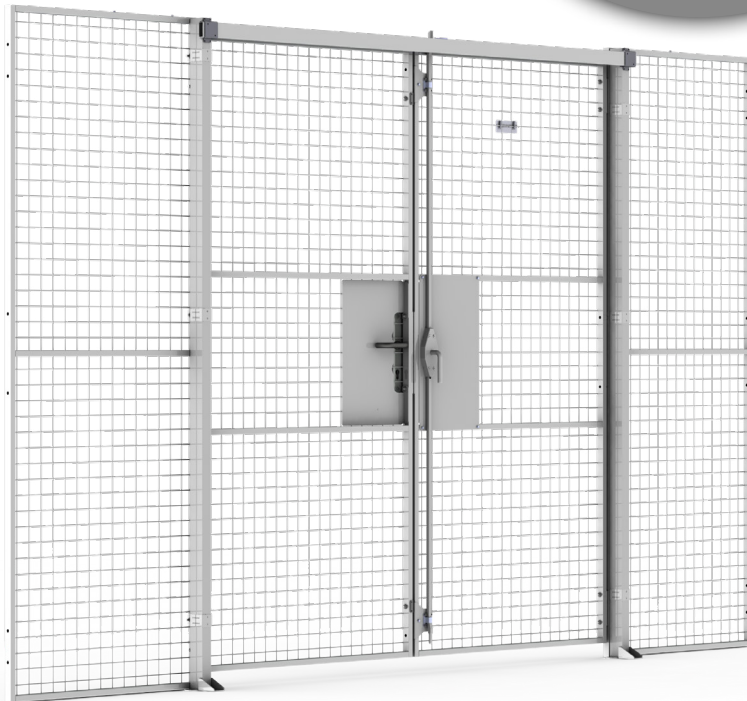




Warehouse
Partitioning

Machine
Guarding

Double Hinged
Door
Espagnolette
Lock



Kit 36908030

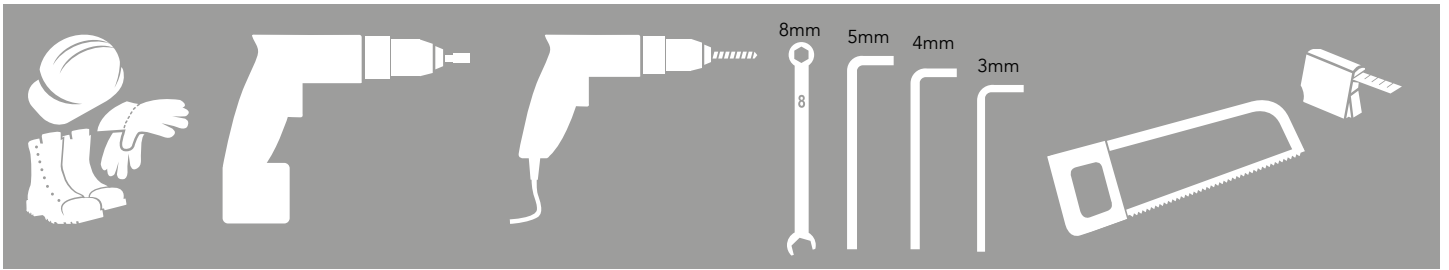
Art no: 88754531 ver. 01

Print no: 202110-1575-EN

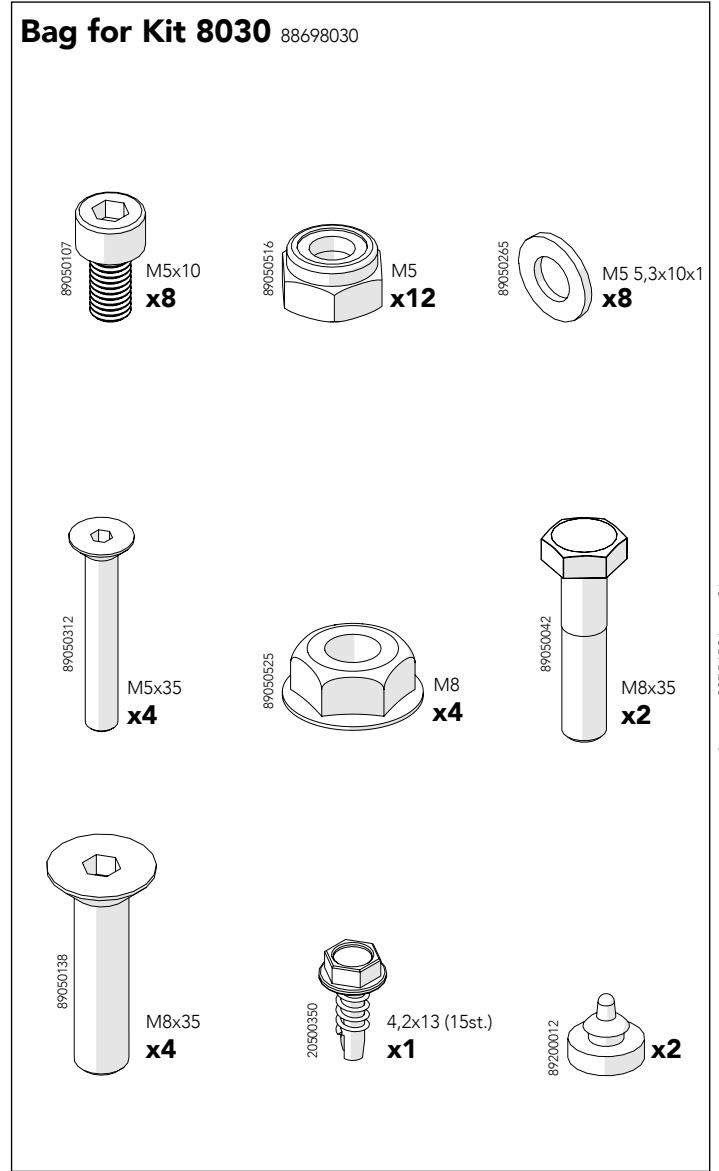
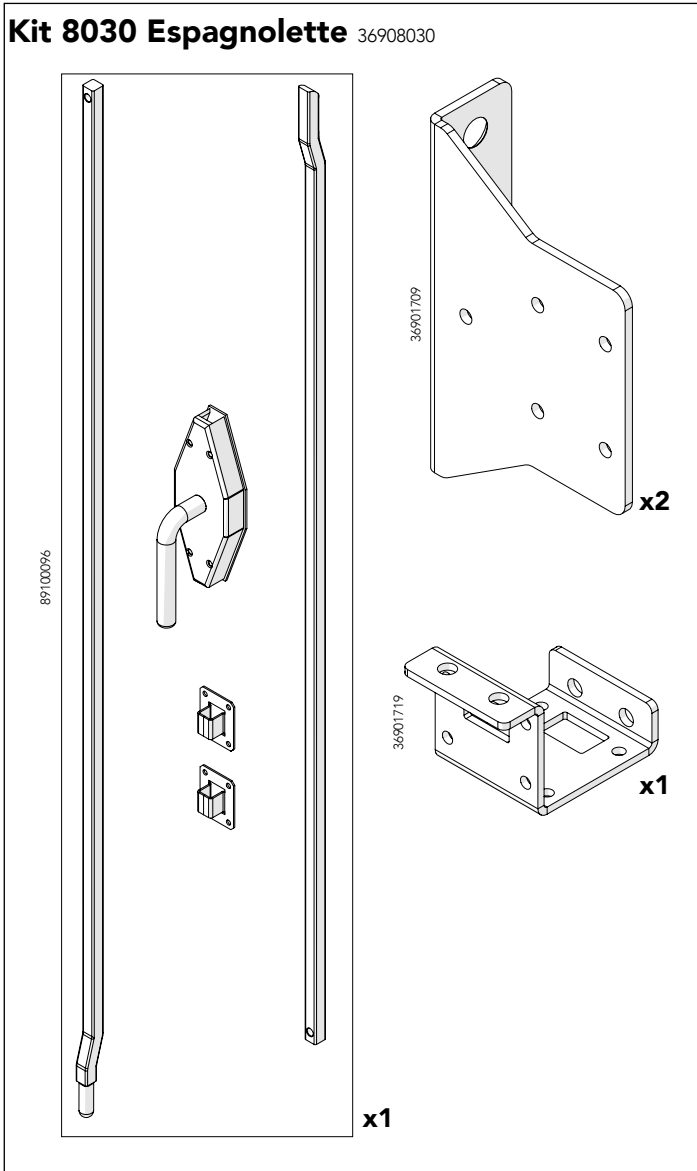
Follow me

www.troax.com

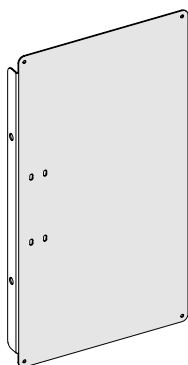




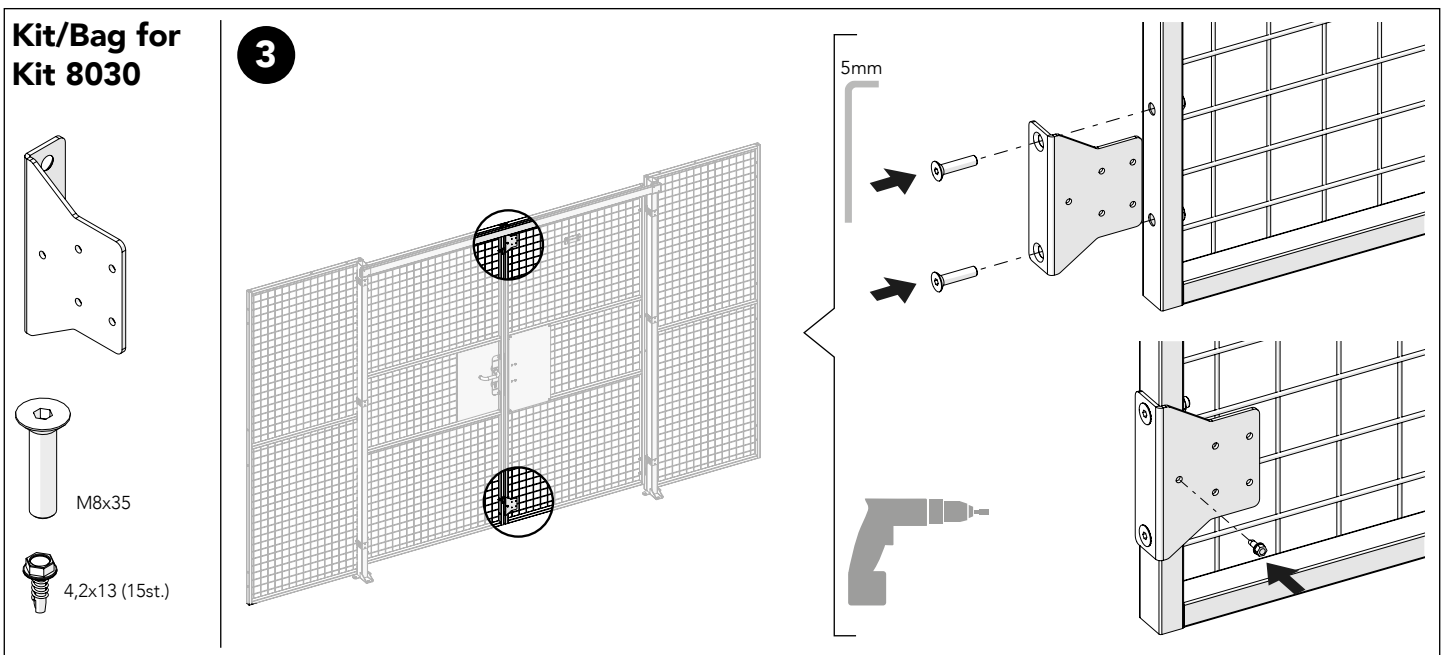
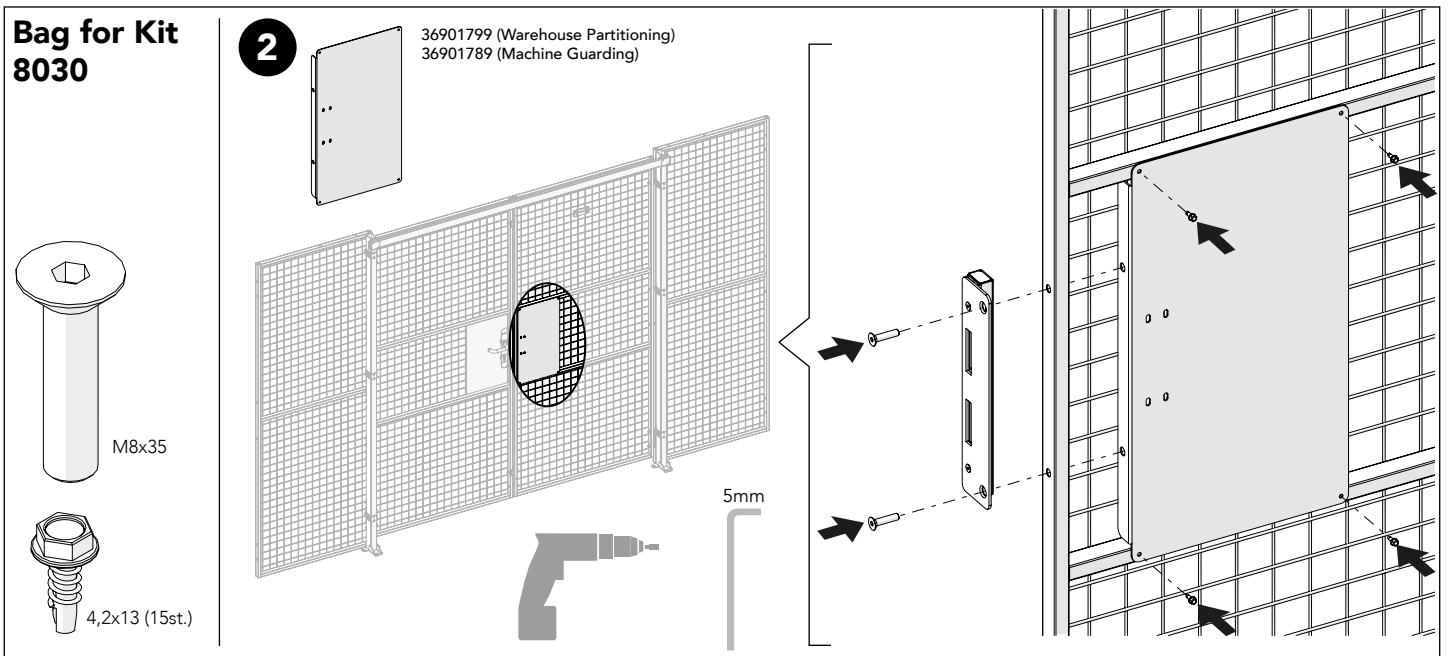
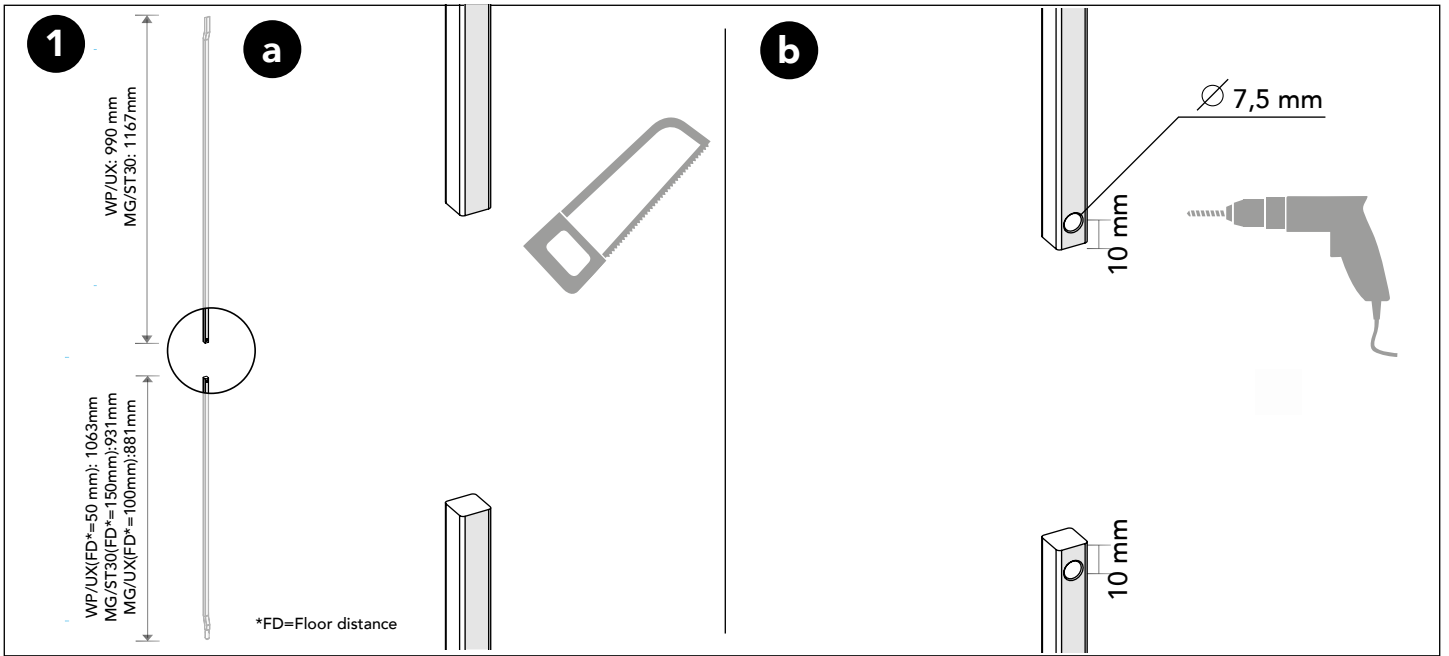
Double Hinged door Espagnolette Lock



Art no: 88754531 ver.01

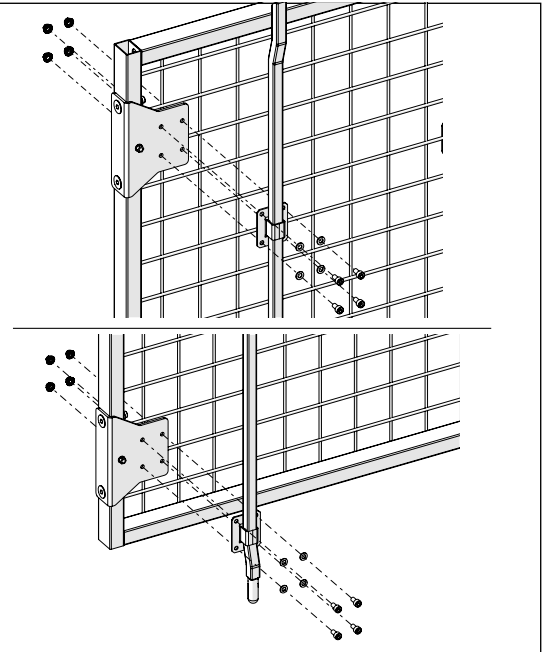
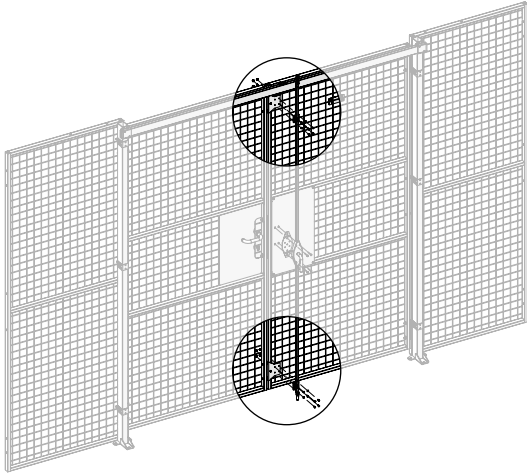
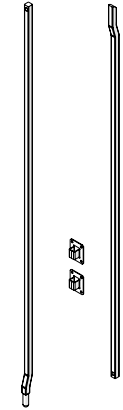


36901799 (Warehouse Partitioning)
 36901789 (Machine Guarding) -see page 5



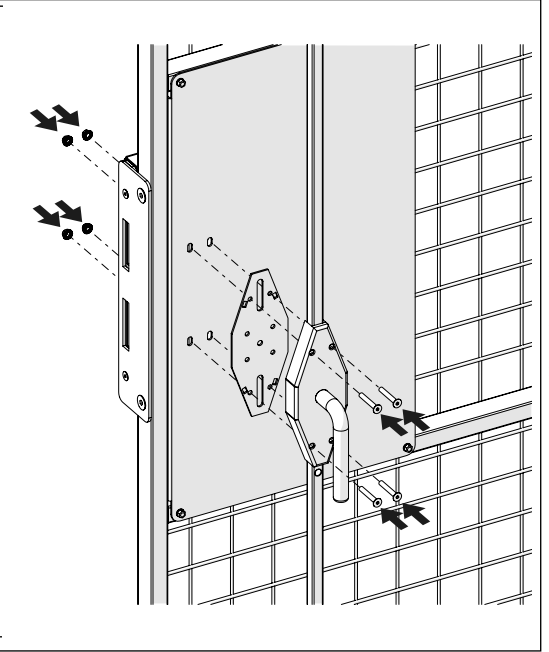
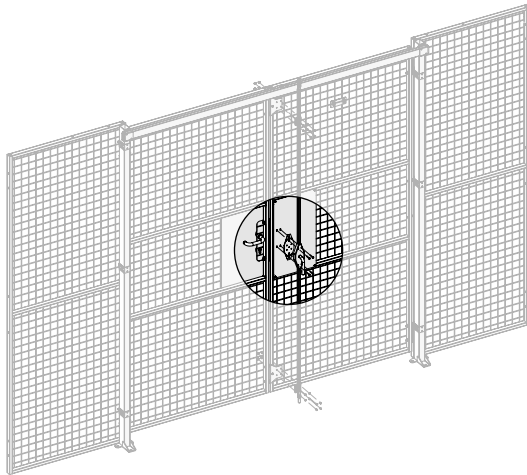
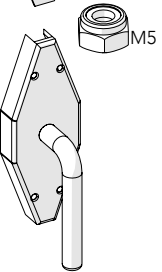
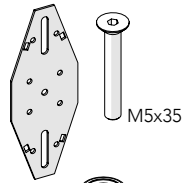
**Kit/Bag for
Kit 8030**

4



**Kit/Bag for
Kit 8030**

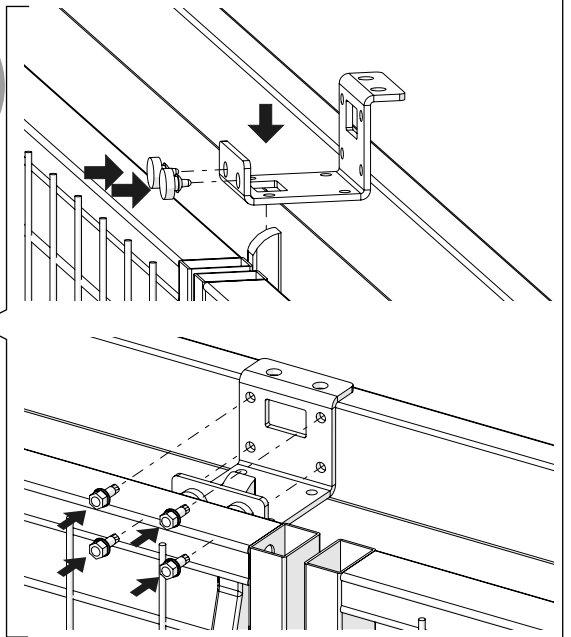
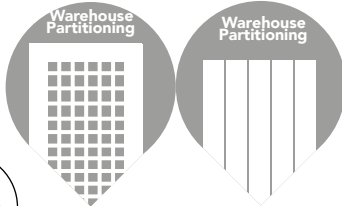
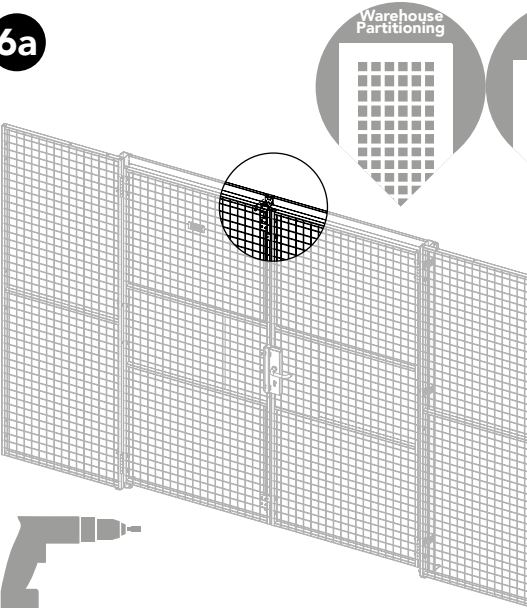
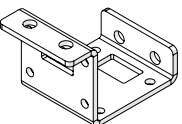
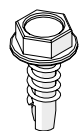
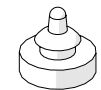
5

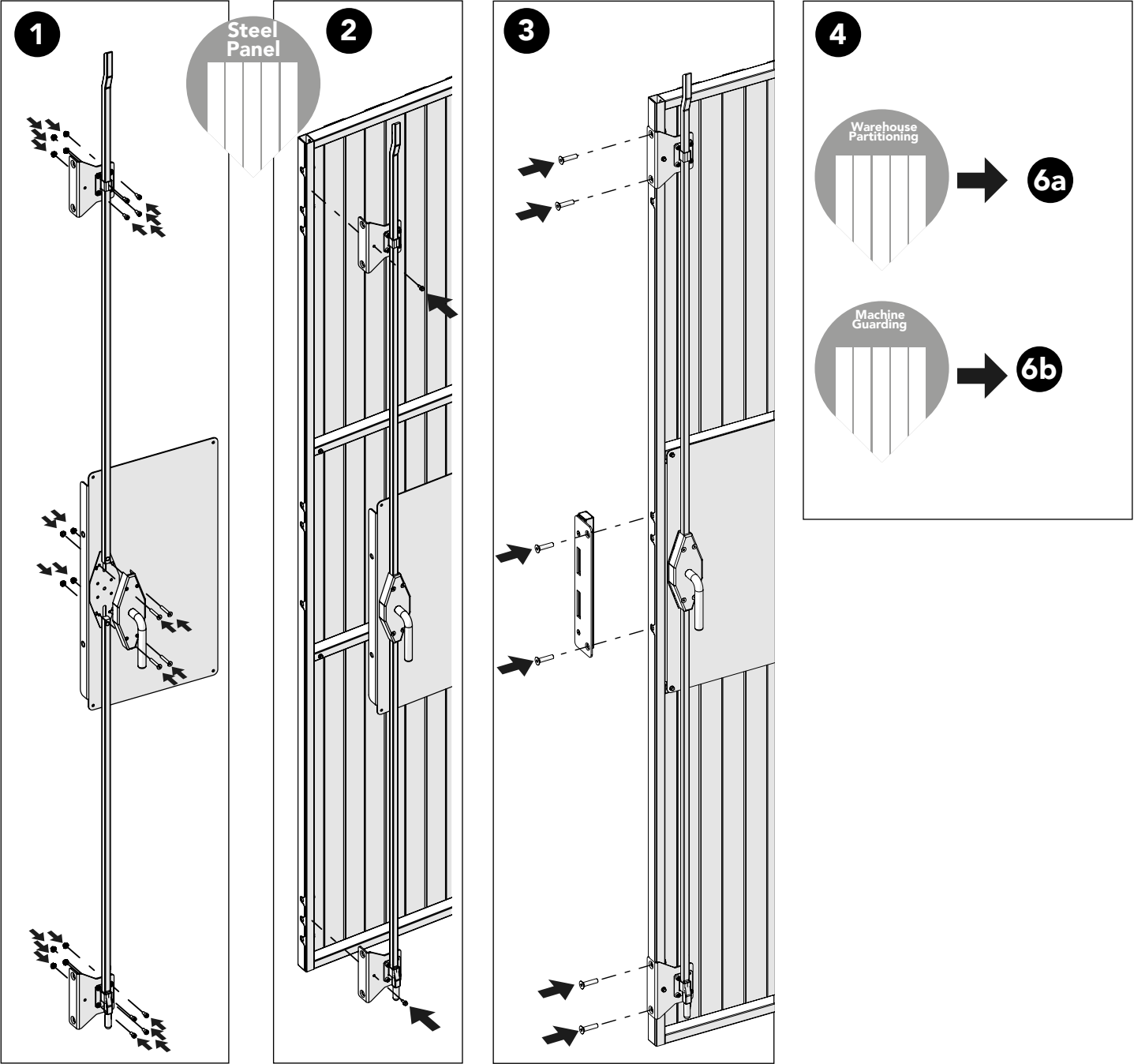
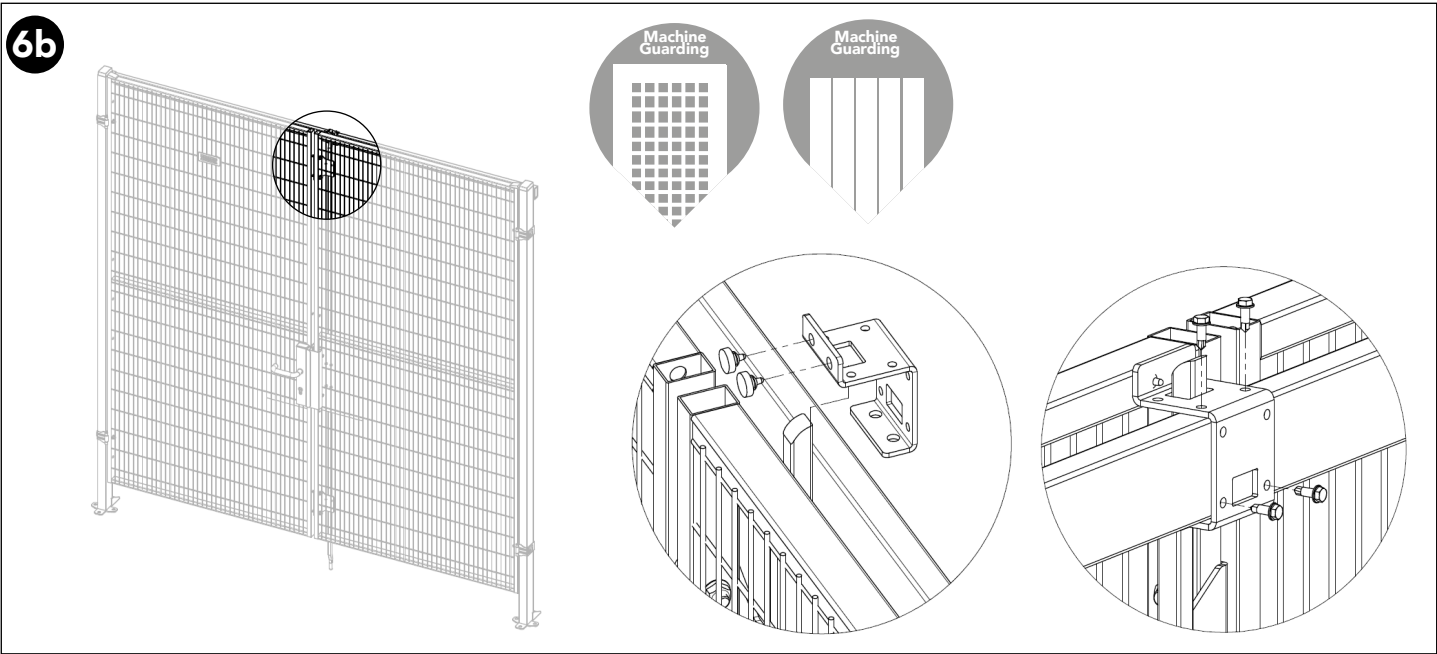


Art no: 88754531 ver.01

**Kit/Bag for
Kit 8030**

6a





Art.no: 88754531 ver. 01