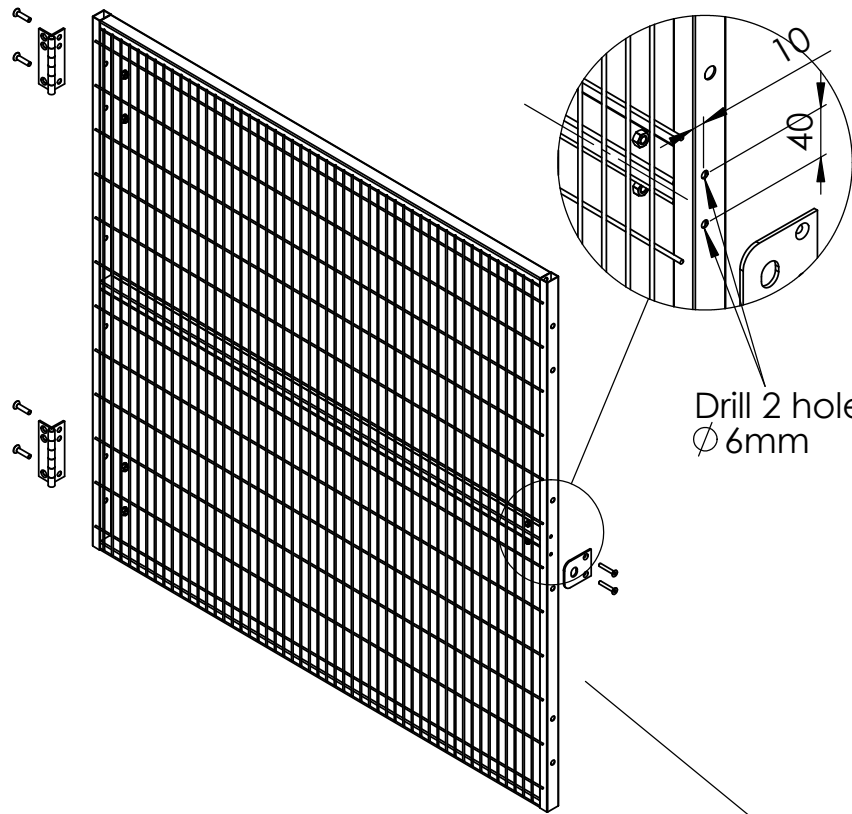


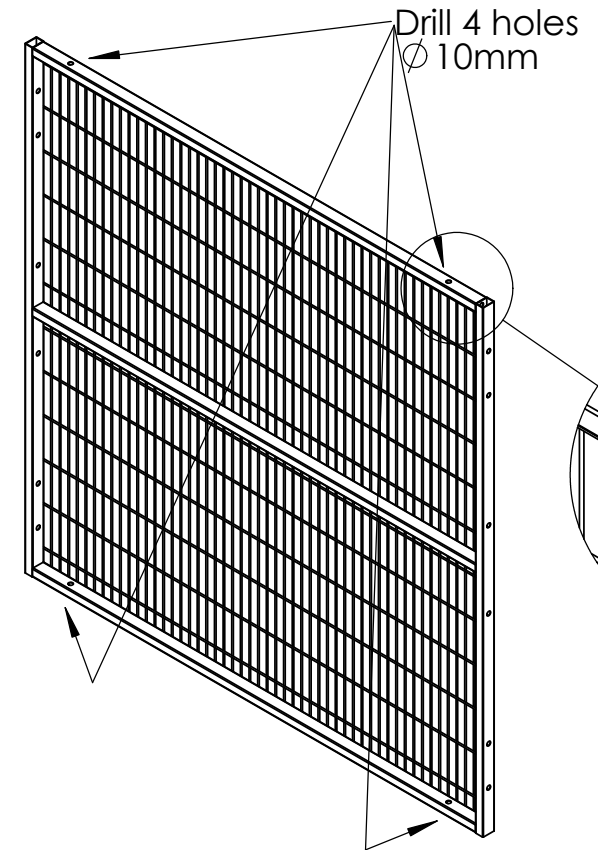
Door

Drilling holes:  
Some additional holes  
have to be drilled  
in this application.

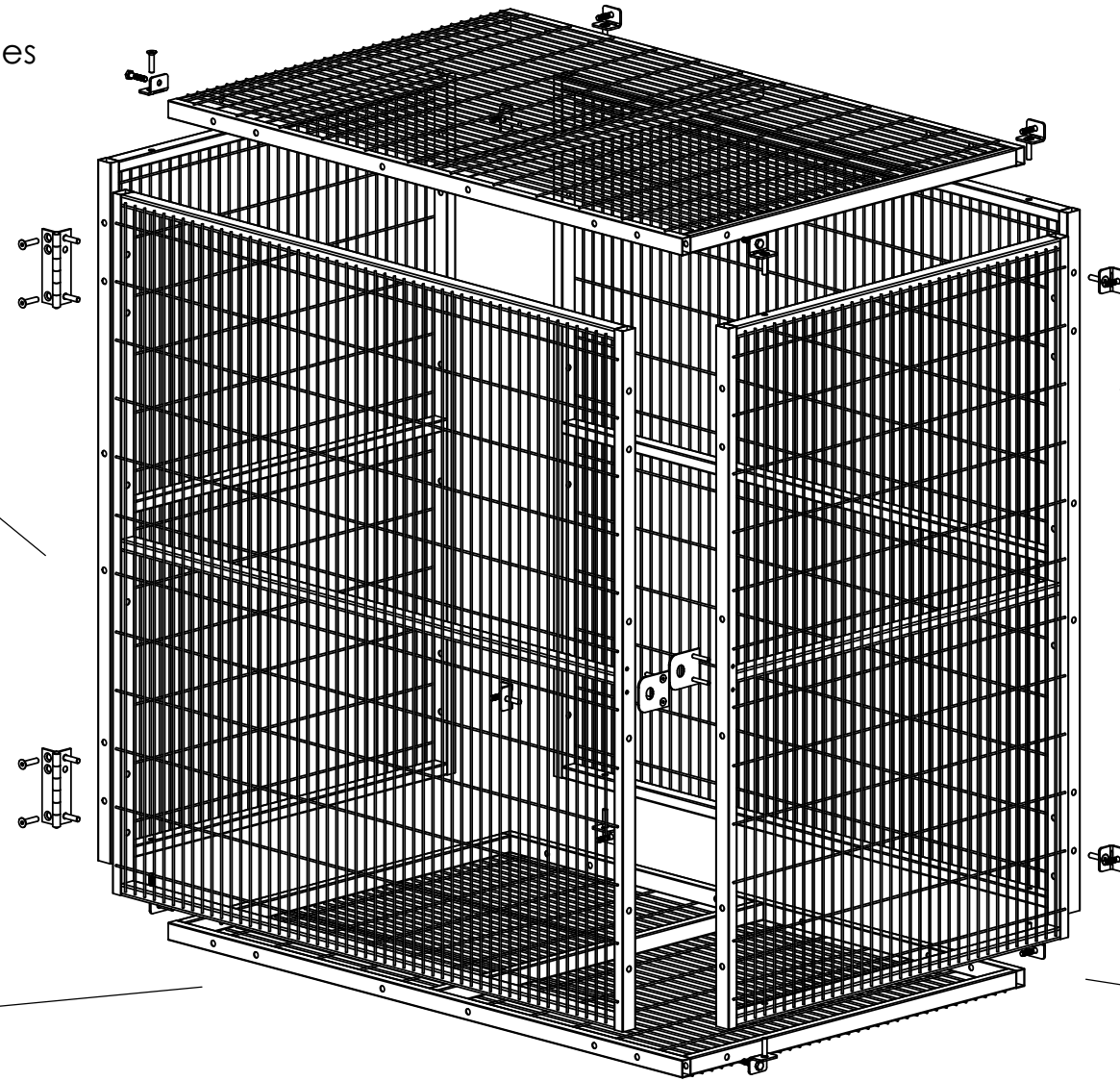
rear part



Drill 2 holes  
Ø 6mm



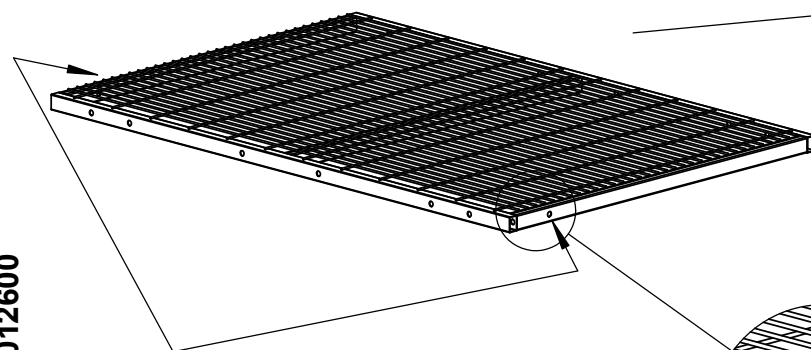
Drill 4 holes  
Ø 10mm



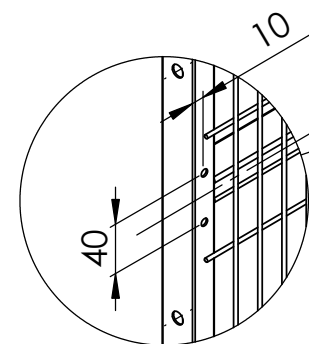
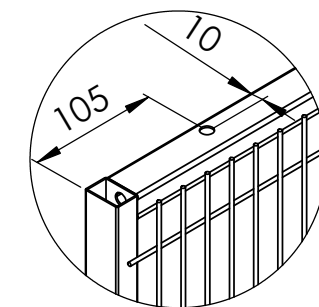
Top and bottom

Side part

Drill 2holes  
Ø 10mm



Drill 2holes  
Ø 10mm

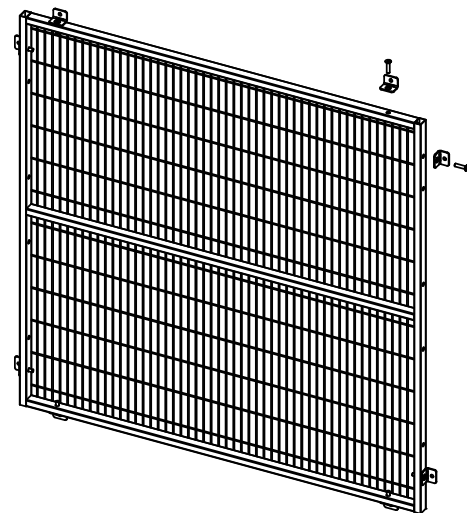


Drill 2holes Ø 6mm  
- only on right part

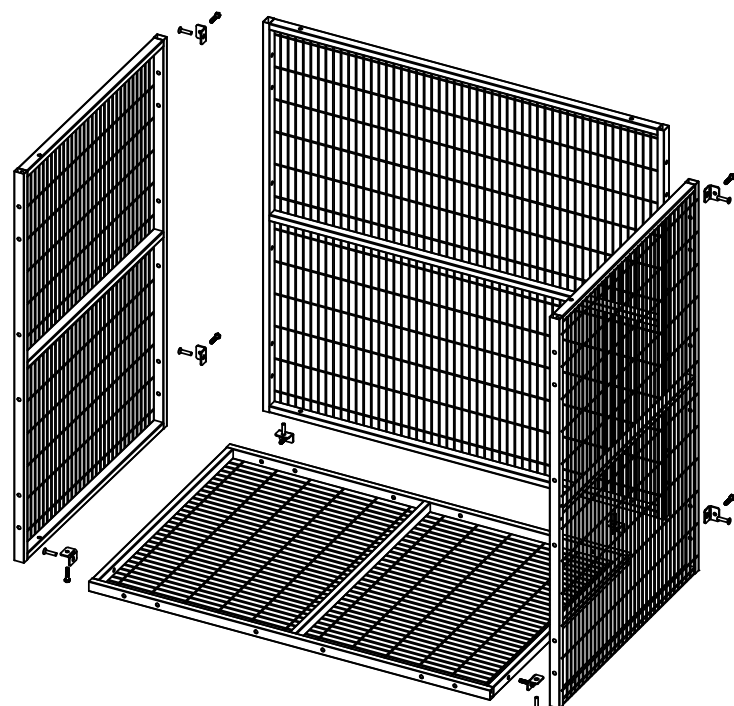
# Assemble:

Drilling - see previous page

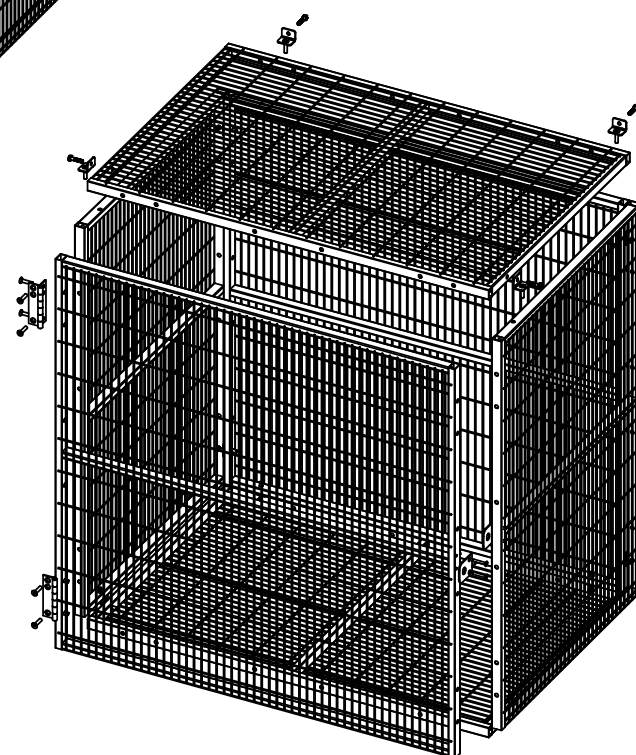
1 Fit all corner fixings on rear part



2 Attach bottom and side parts



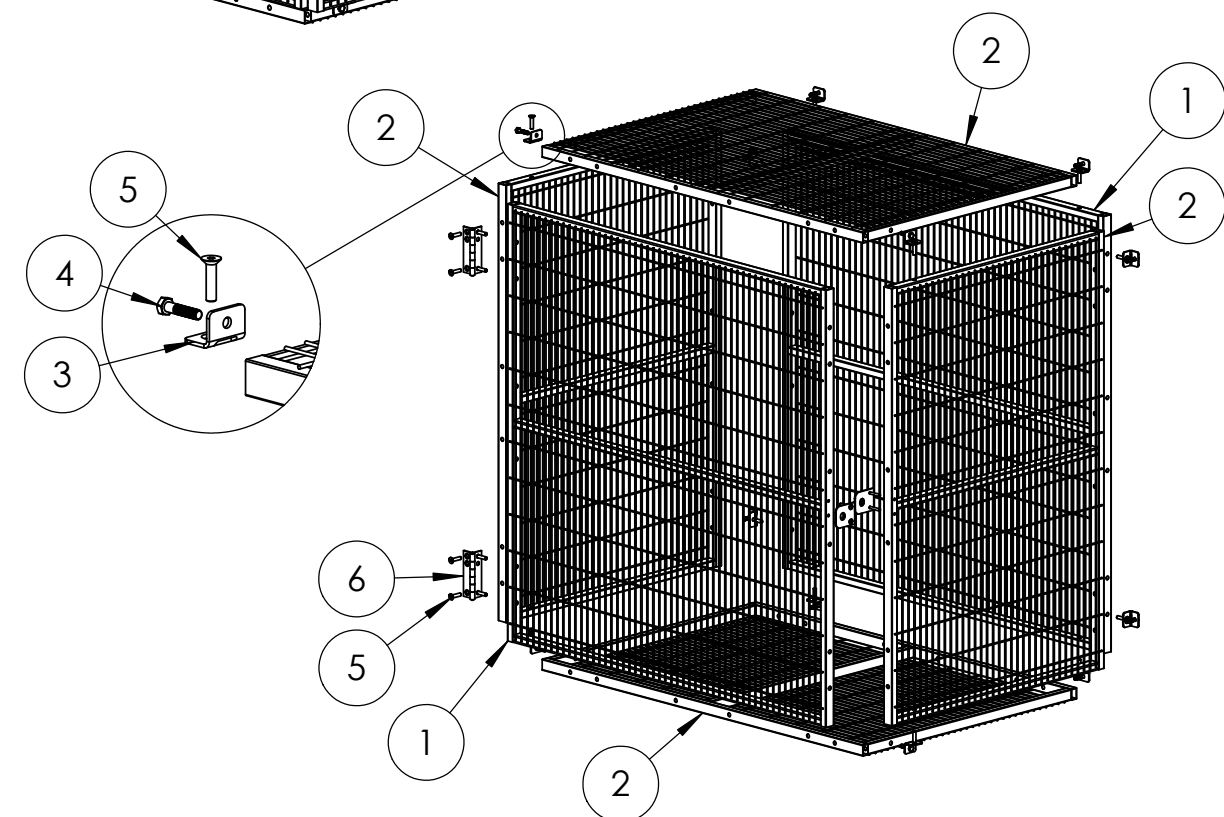
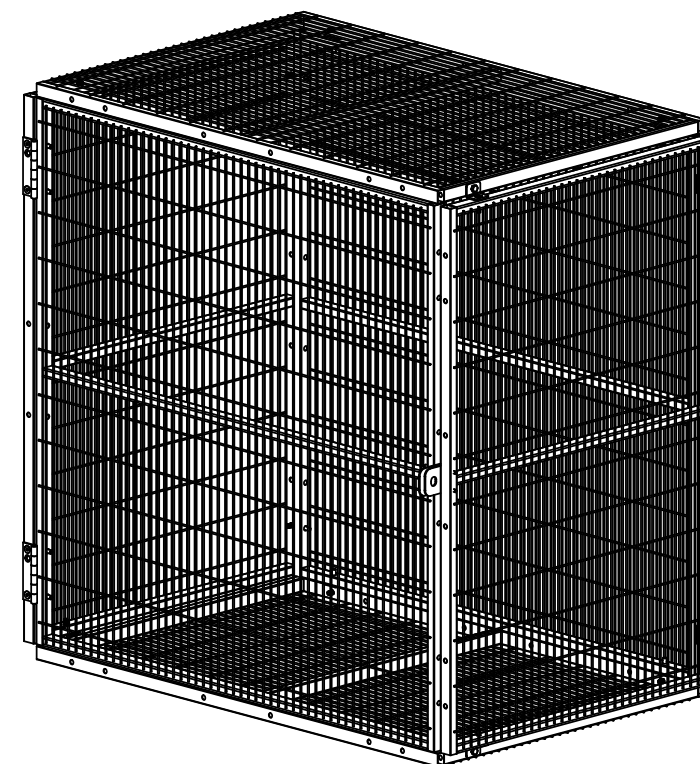
3 Attach top part and finally, connect the door with hinges and padlock fixings.



4

# Air Bag Box 1200x800x1200

**TROAX**  
Follow Me



Pos	Ant.	Benämning	Material	Art.nr	Anmärkning
1	2	Panel ST30 1200x1200		29120600	
2	4	Panel ST30 1200x800		29080600	
3	12	Plåtvinkel hörnbeslag	DC 01 Am	26520109	
4	12	Bult M6S M8x35		89050042	
5	20	Skruv MF6S M8x35		89050138	
6	2	Gångjärn Till hundgård		89050752	
7	2	Låsbleck NG	DC 01 Am	23500109	
8	4	Bult M6x40 MF6S		89050074	