

7000 mm MAX

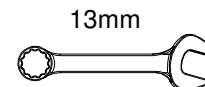
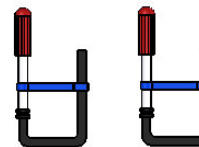
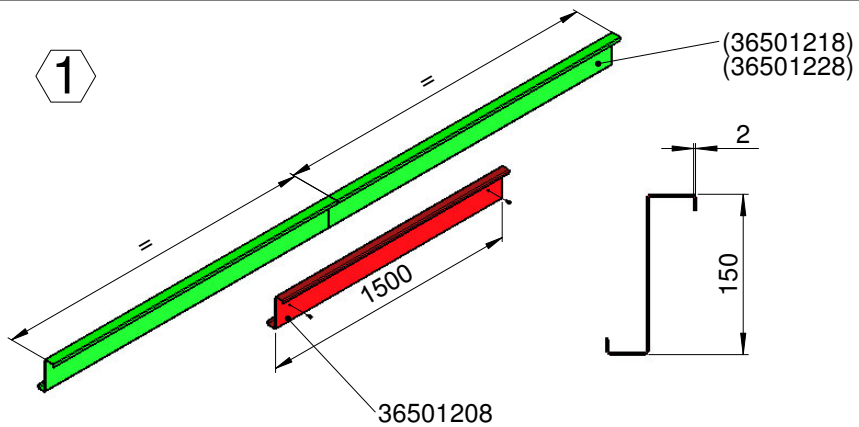


5kg/m<sup>2</sup>

UR350 2200x1500=3kg/m<sup>2</sup>

UX450 2200x1500=5kg/m<sup>2</sup>

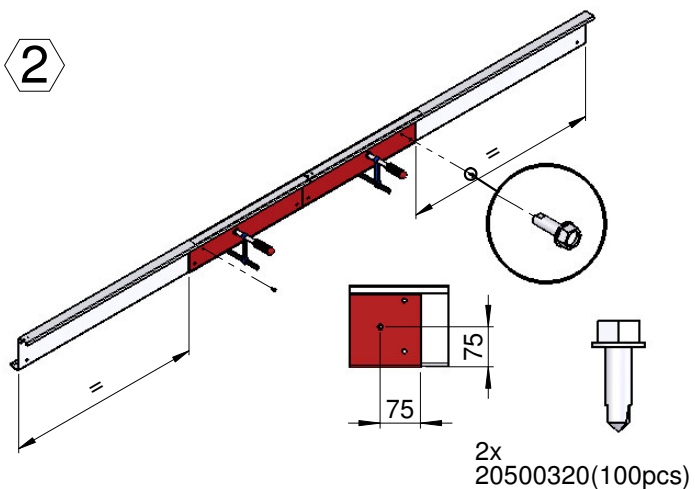
1



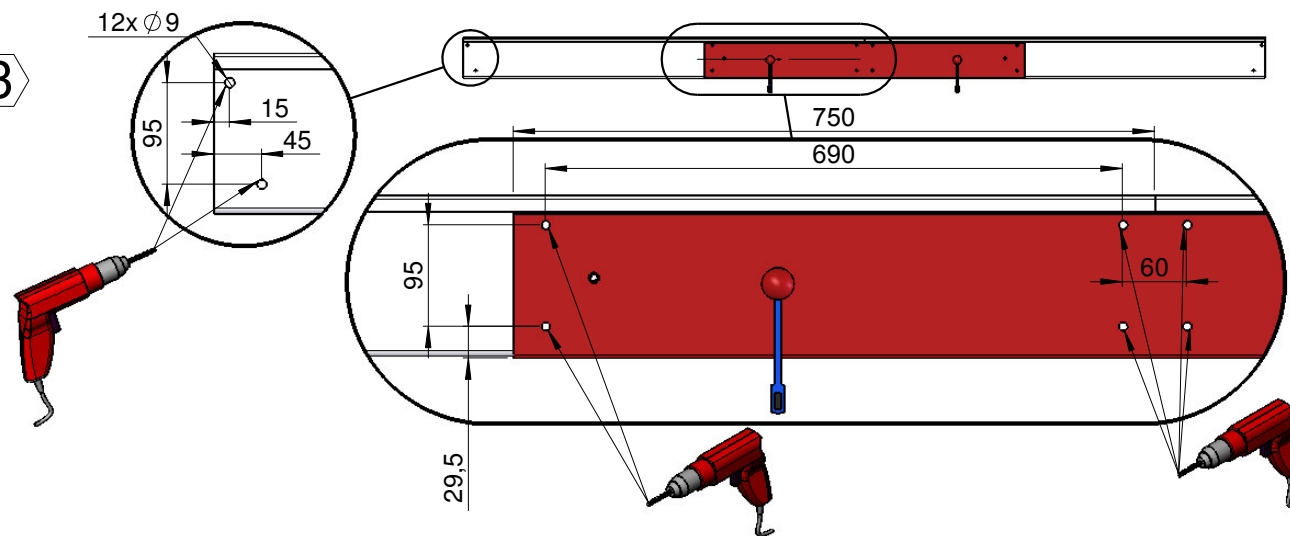
Caelum Roof  
Assemble Beam

**TROAX**  
Follow Me

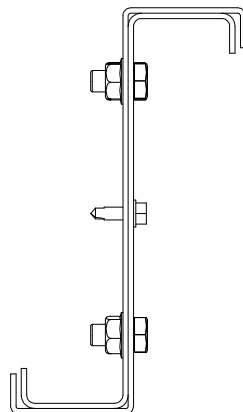
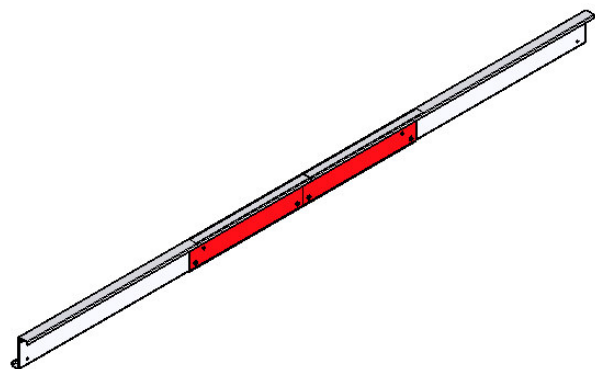
2



3



4



8x  
89050040  
M8x16



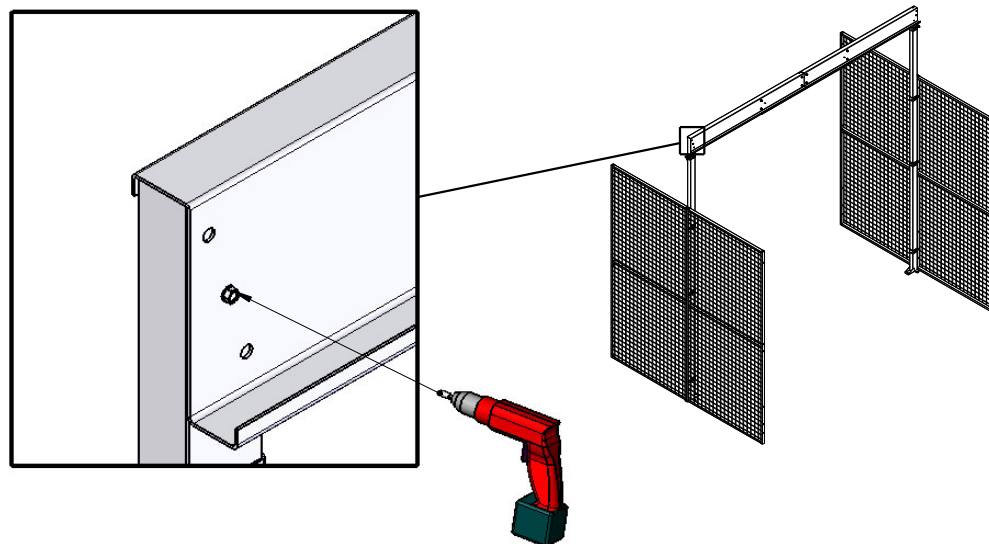
8x  
89050525  
M8

SmartTeam ID: 00025895

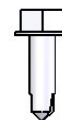
Article no.: 88754306

www.troax.com

5

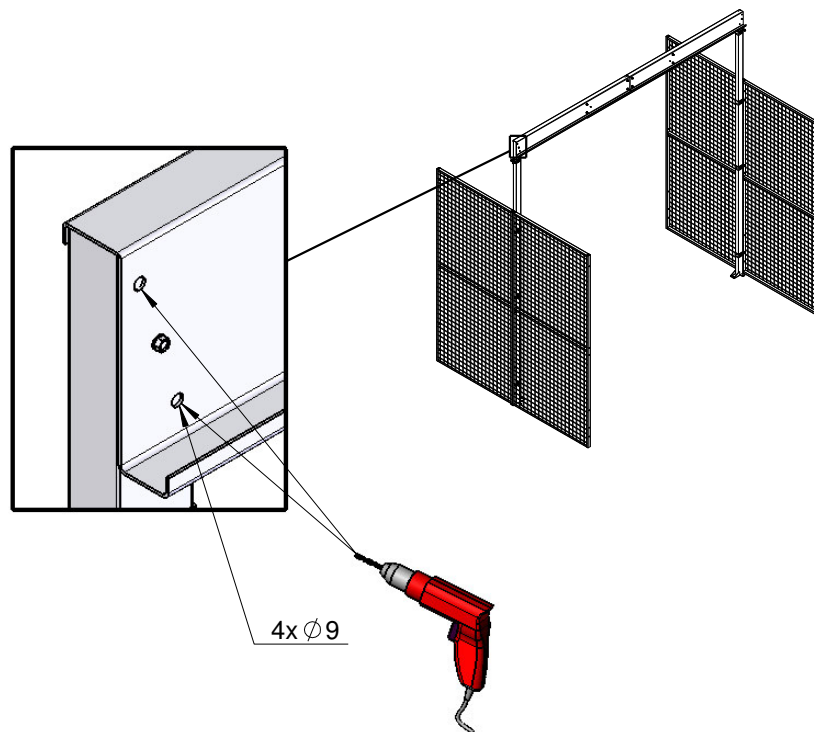


Caelum Roof  
Assemble beam and post **Follow Me**



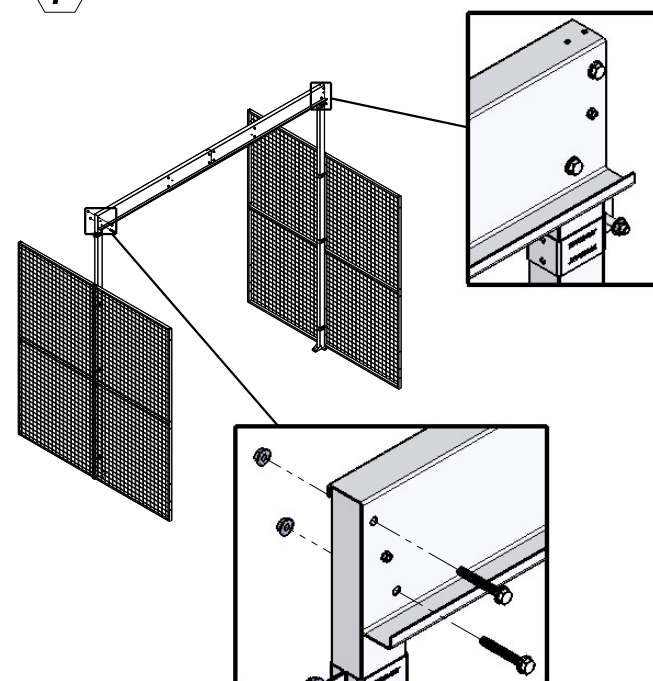
2x  
20500320(100pcs)

6



4x  $\varnothing 9$

7



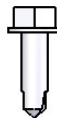
4x  
89050525  
M8



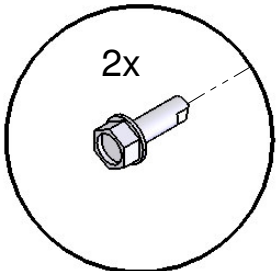
4x  
89050044  
M8x55



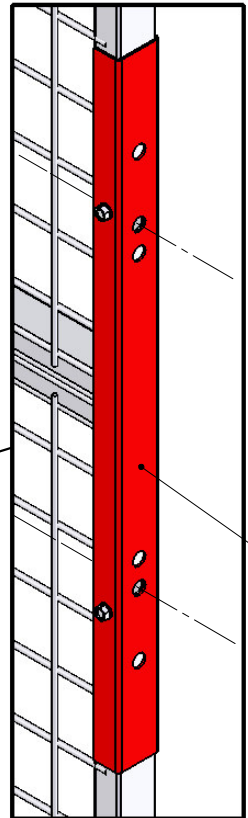
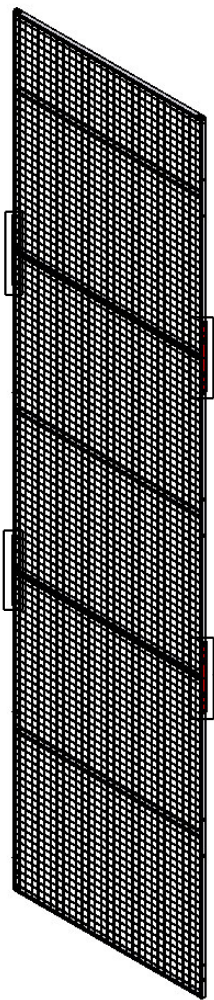
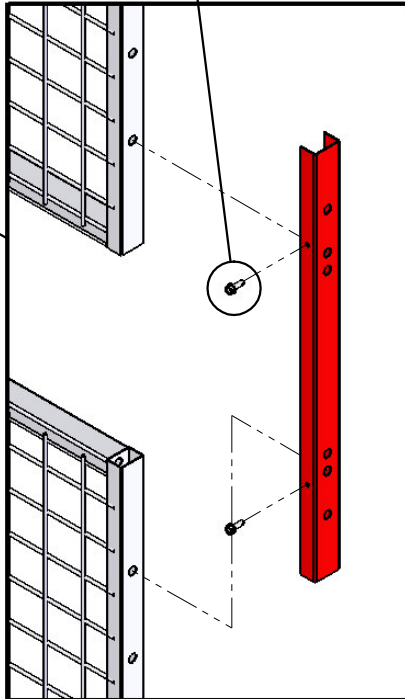
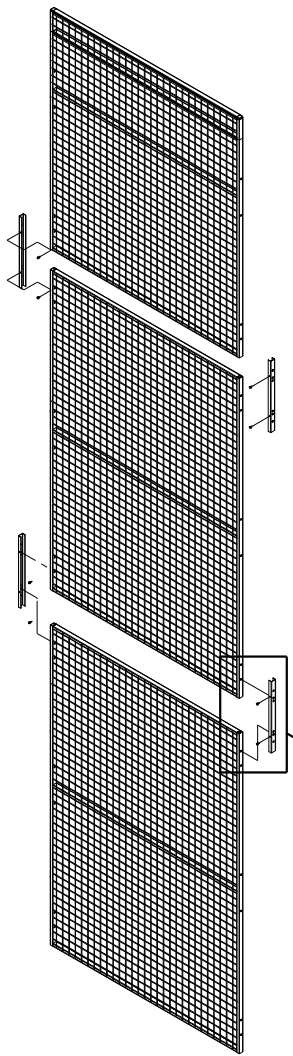
8



20500320(100pcs)



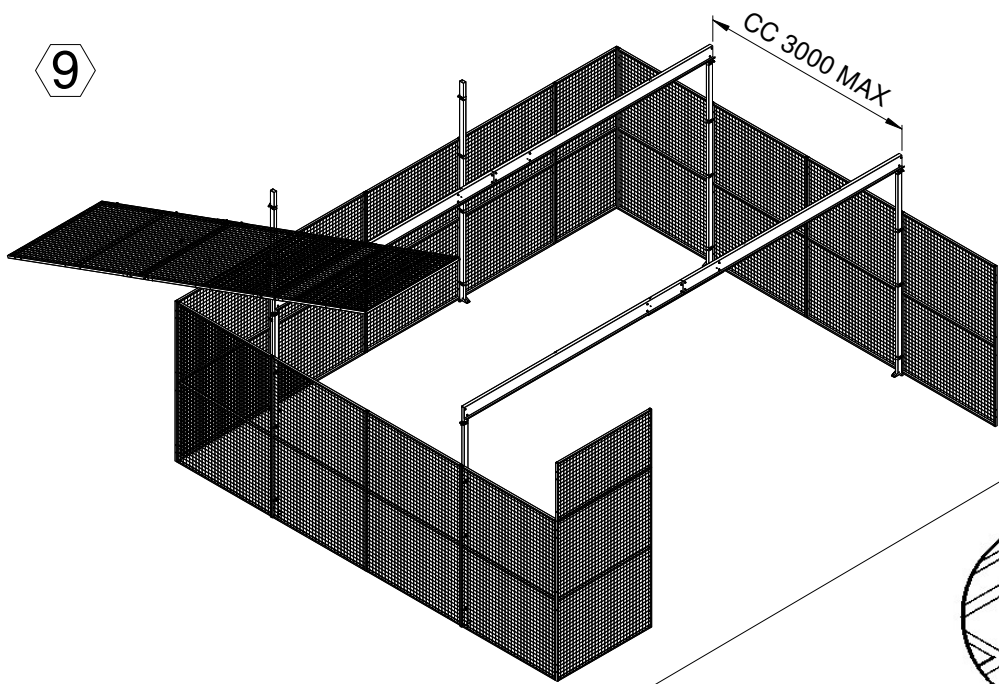
2x



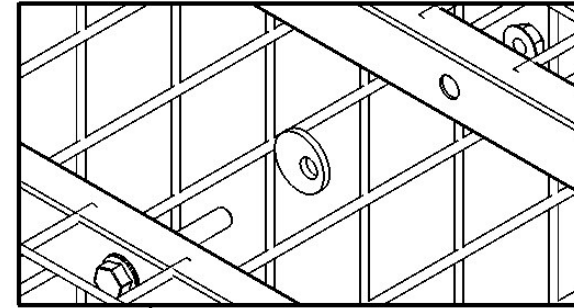
UX 36500788  
UR 35500788



9



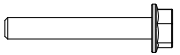
Caelum Roof  
Roof and bracket. Follow Me



89050525  
M8

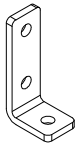


89050290  
Ø26x9x3



89050044  
M8x55

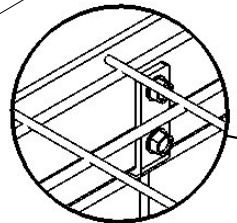
10



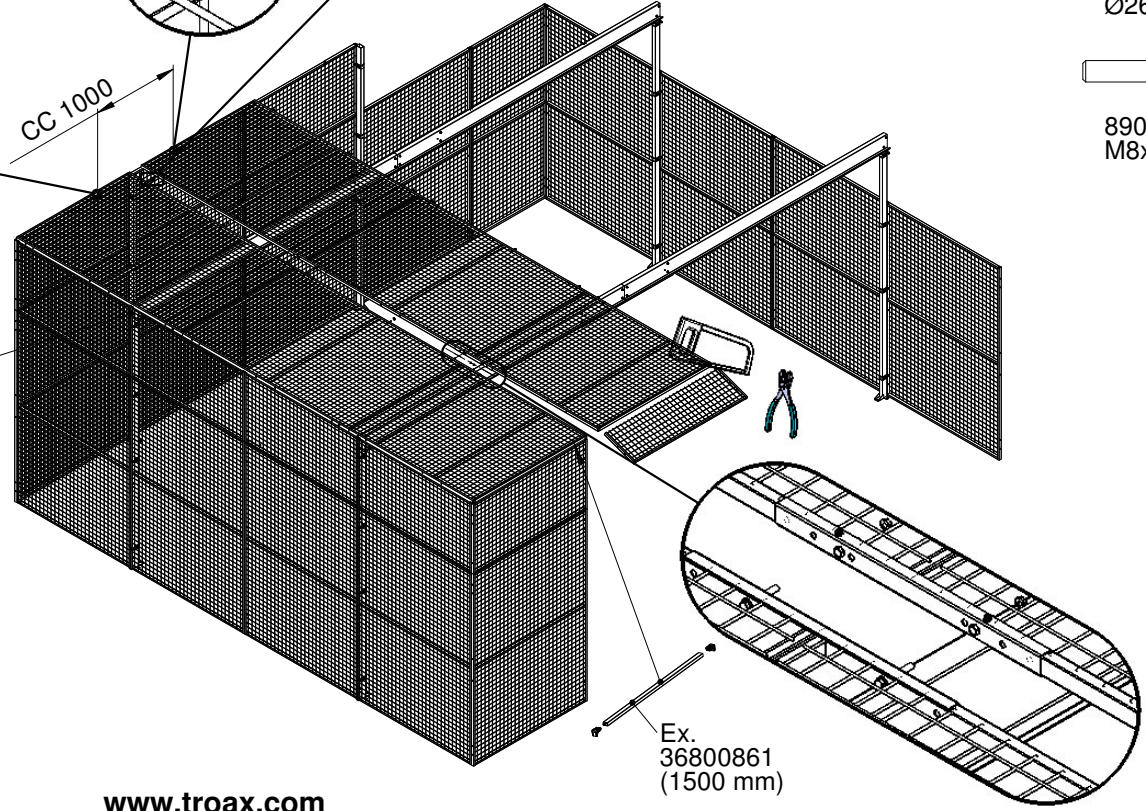
35700249(100pcs)



20500320(100pcs)



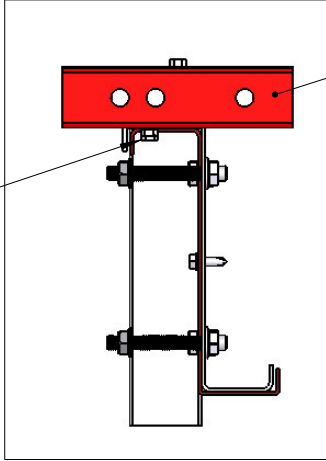
CC 1000



Ex.  
36800861  
(1500 mm)



2x/Panel/Beam



SmarTeam ID: 00025895

Article no.: 88754306

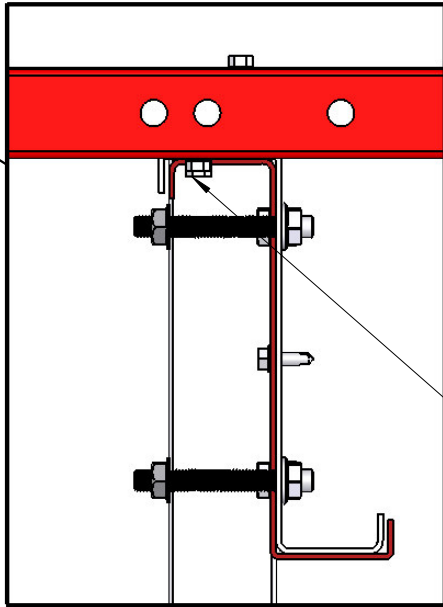
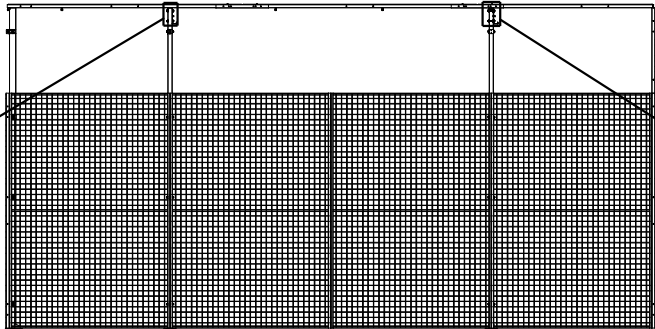
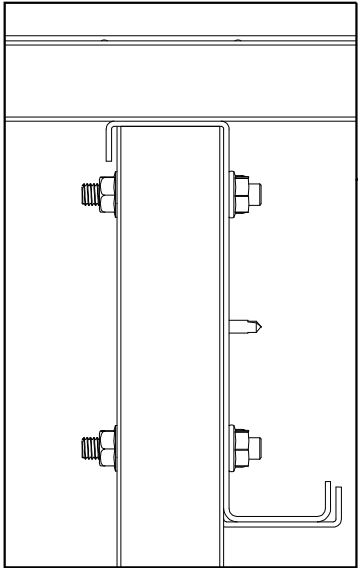
www.troax.com

10

# Inspection

Caelum Roof  
Roof and beam.

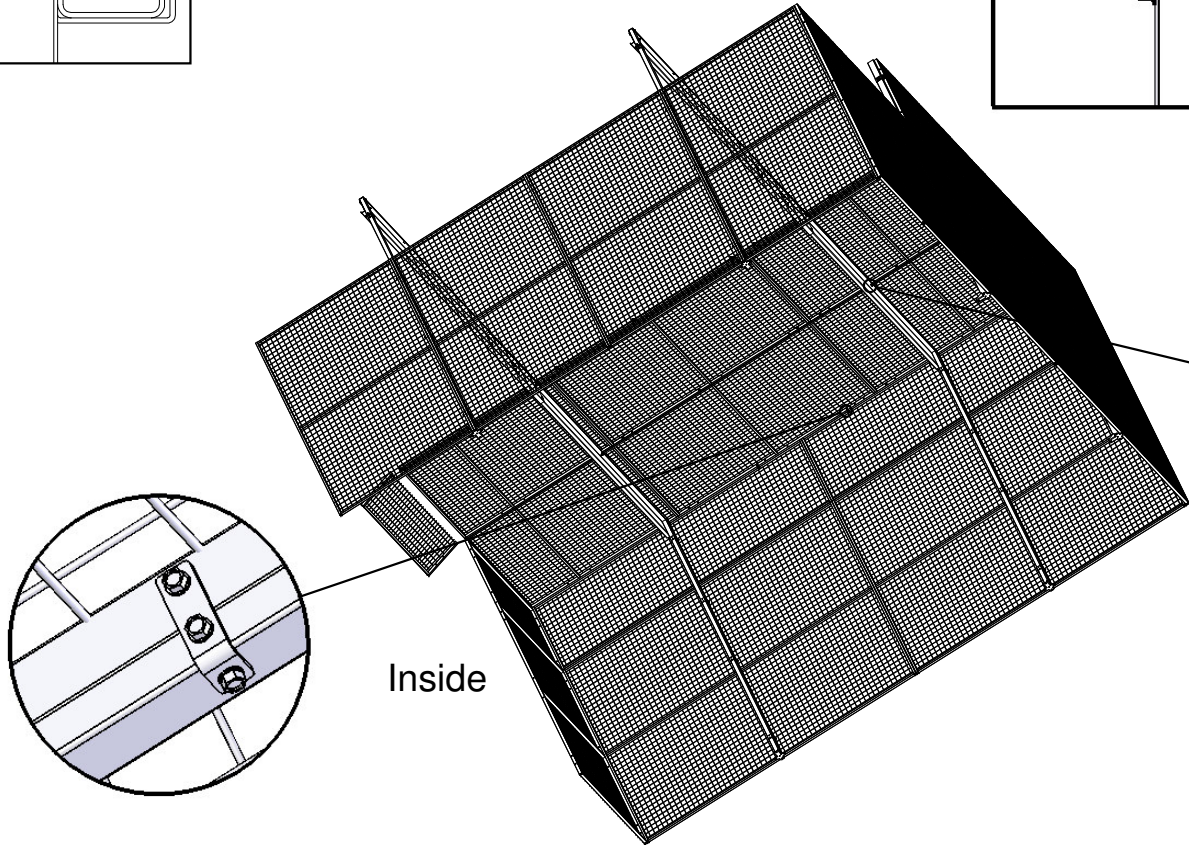
**TROAX**  
Follow Me



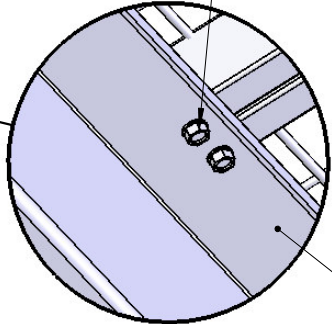
2x/panel/beam



20500320(100pcs)



Inside



Z-Beam