



Machine
guarding

Smart post
prepared for
buttons



Art no: 88754776 ver. 01 Print no: 202004-5803-EN

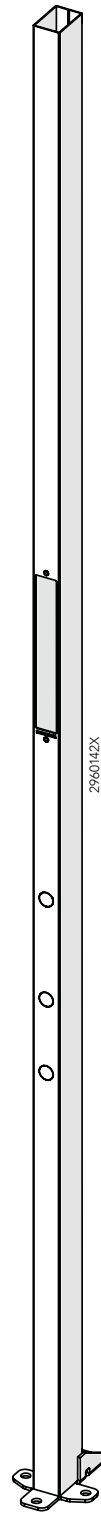
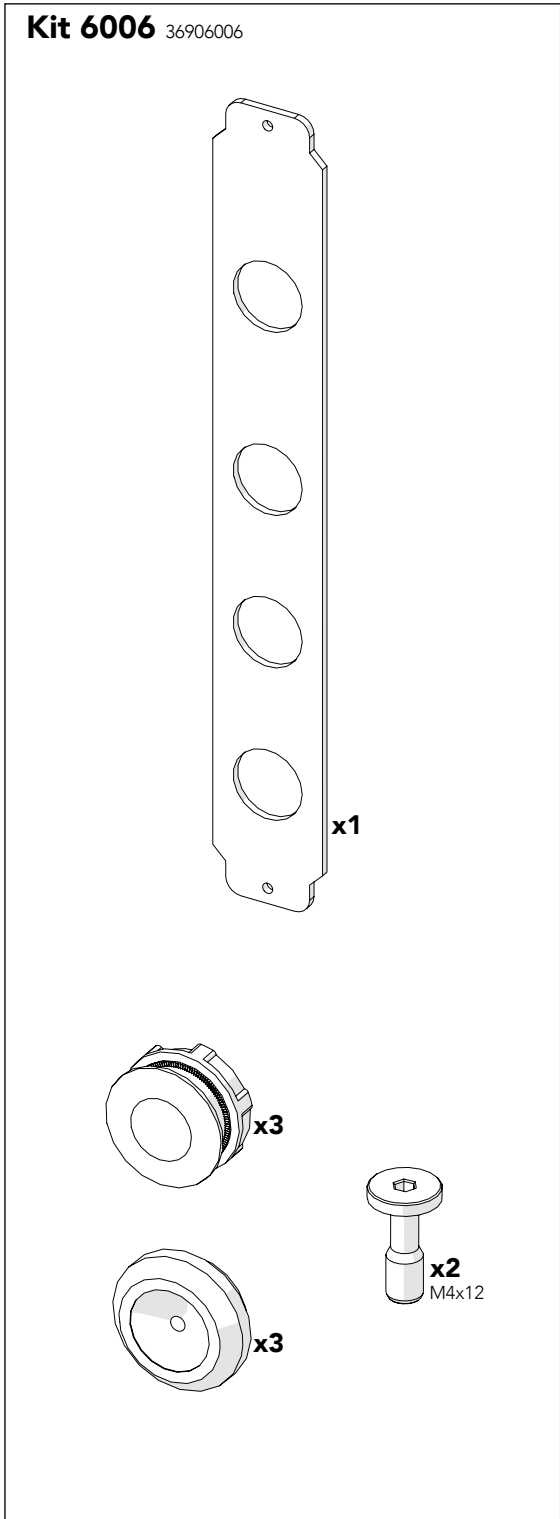
Follow me

www.troax.com

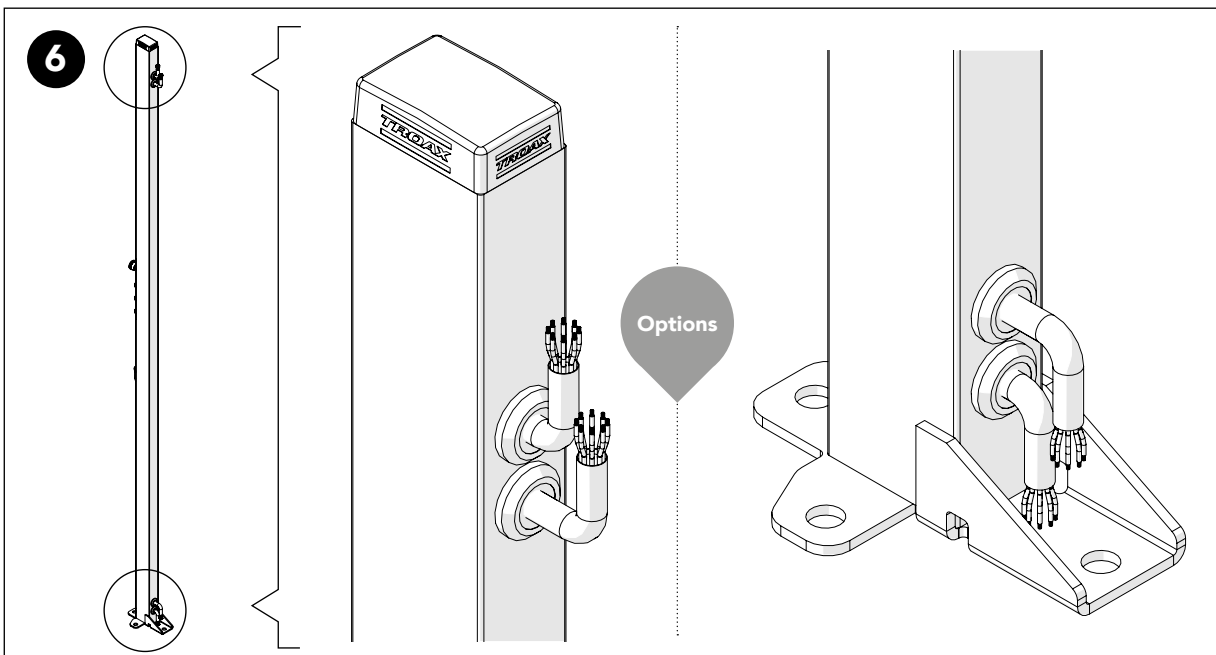
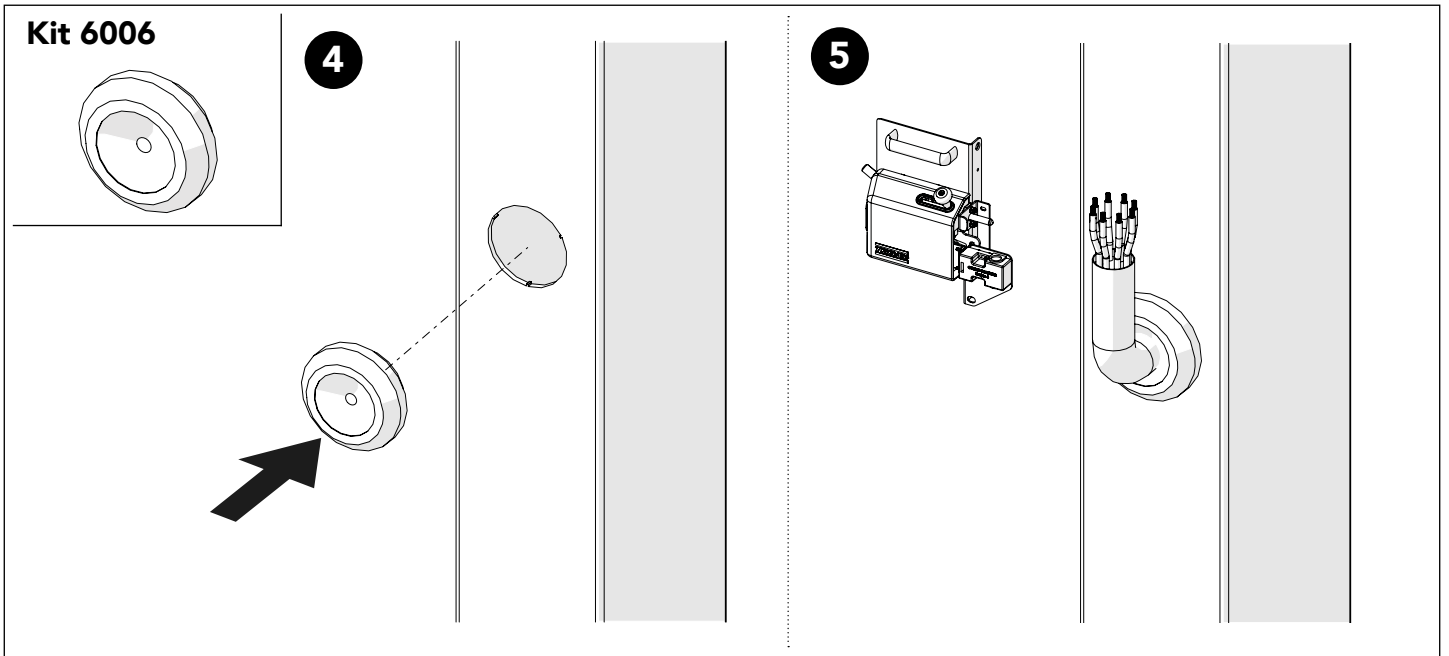
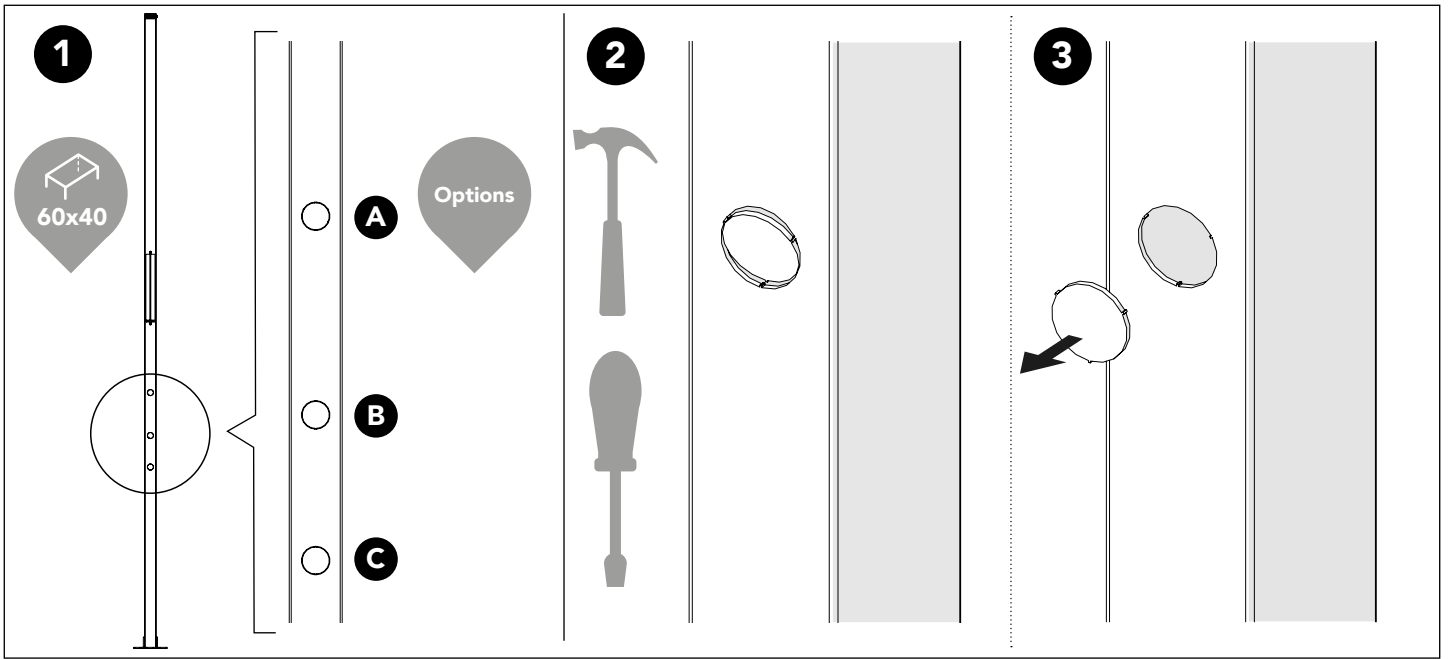




Kit 6006 bracket prepared for buttons



Art no: 88754776 ver.01



Art no: 88754776 Ver. 01

