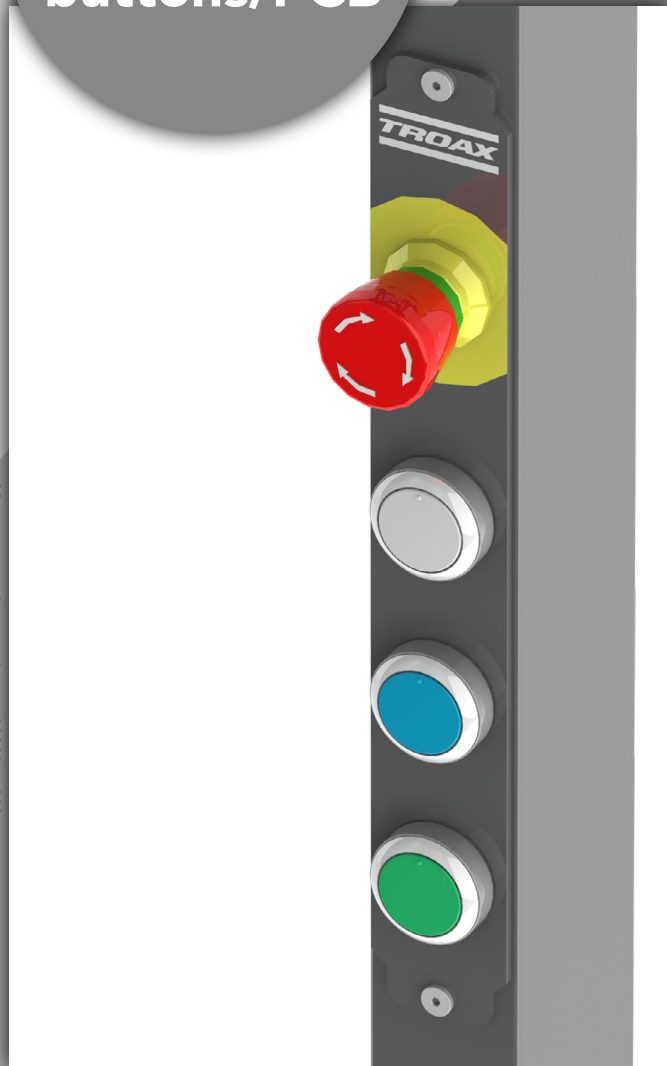


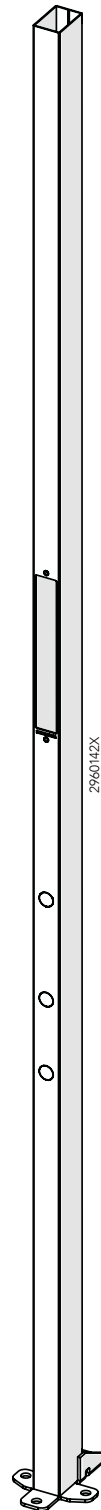
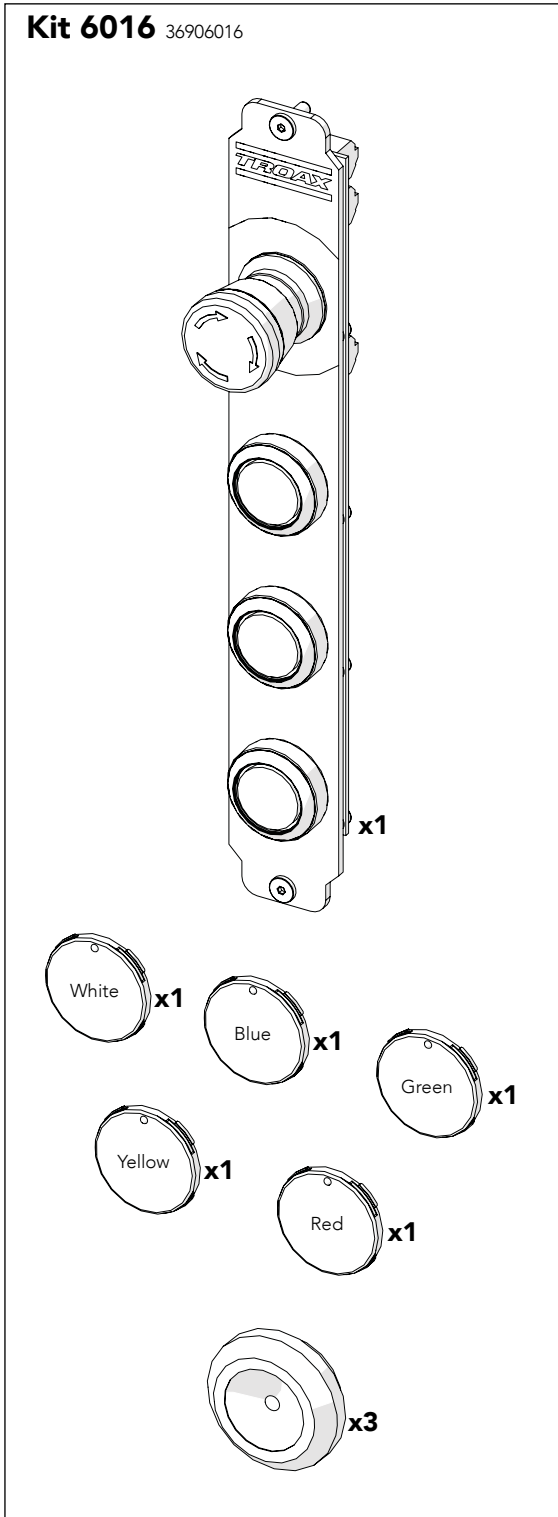
Smart post  
with integrated  
buttons/PCB



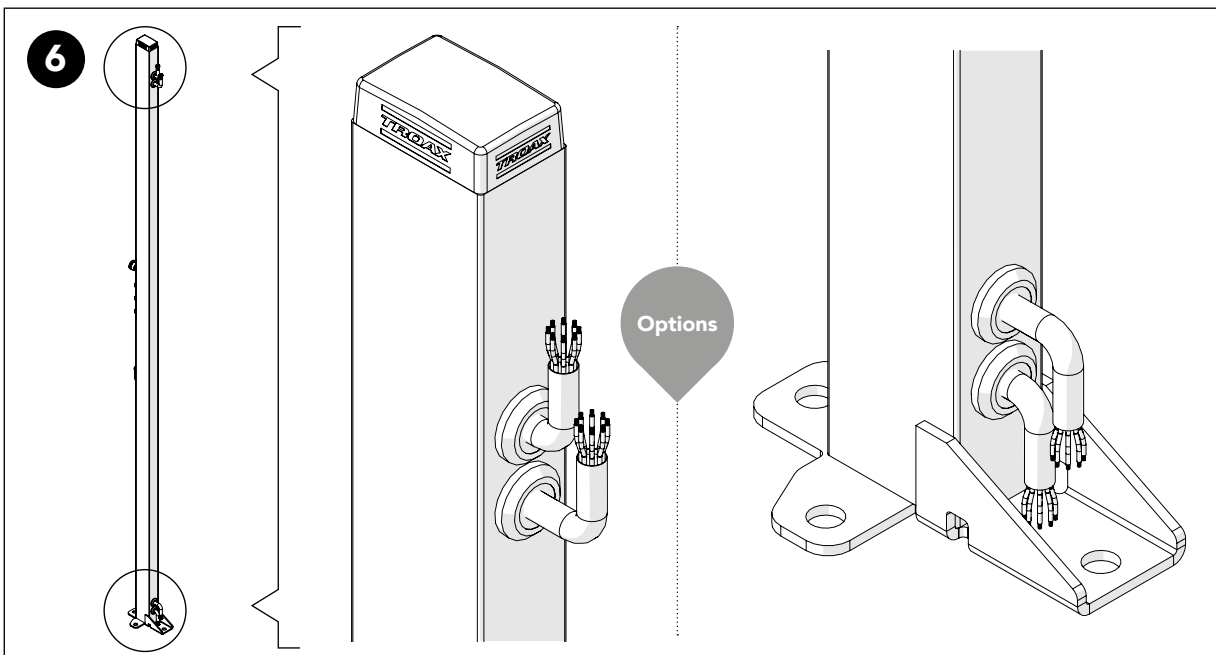
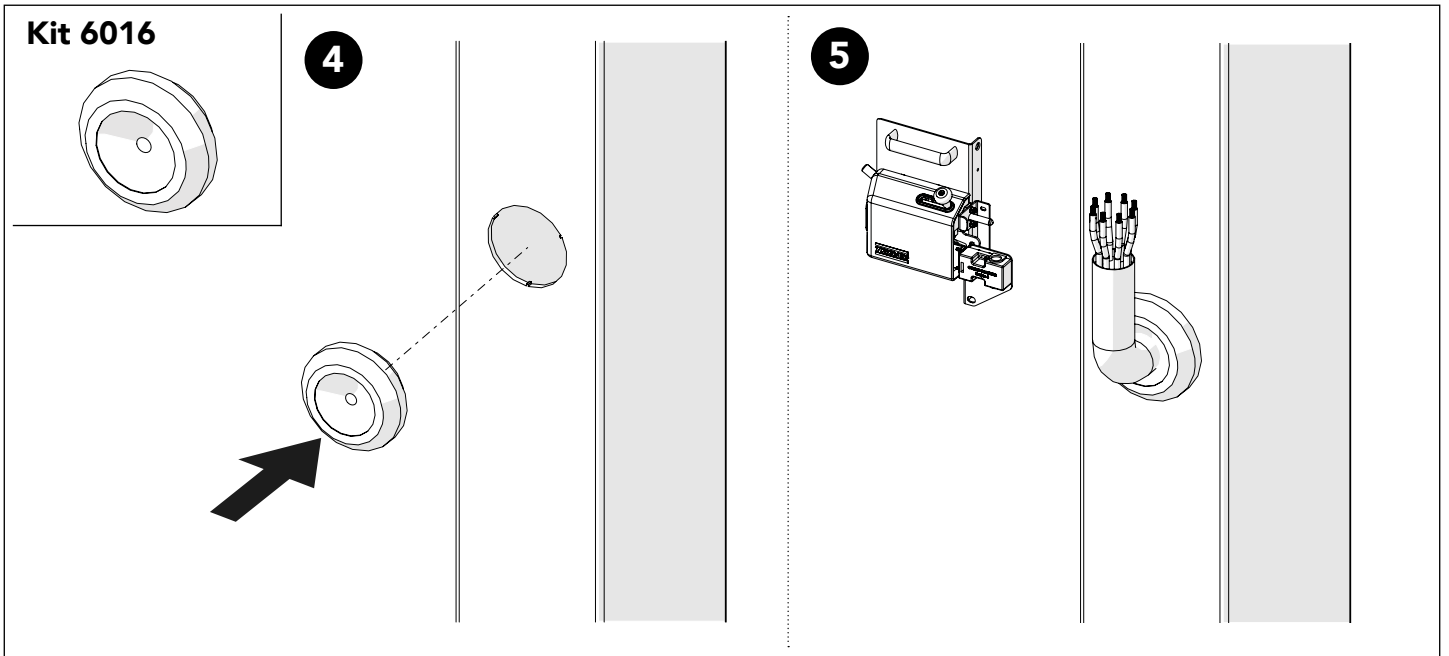
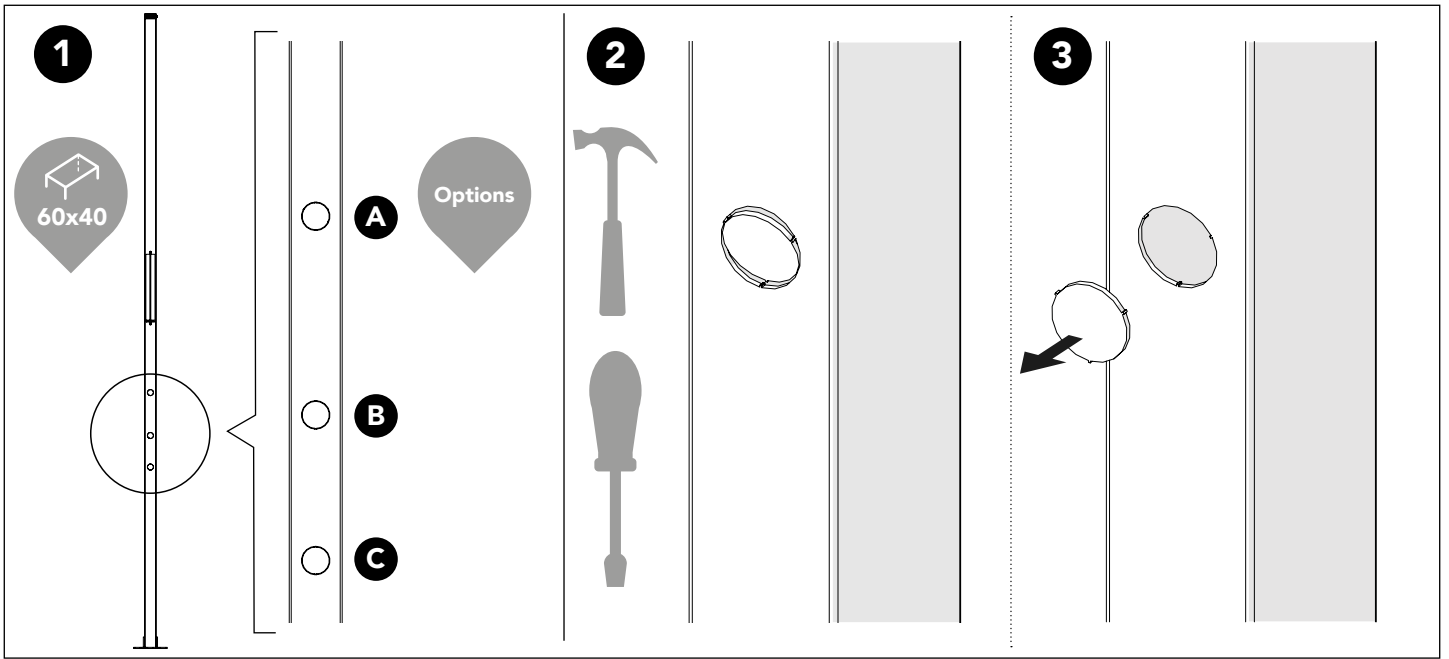
Art no: 88754/67 ver. 01  
Print no: 202004-7298-EN



# Kit 6016 Integrated buttons/PCB



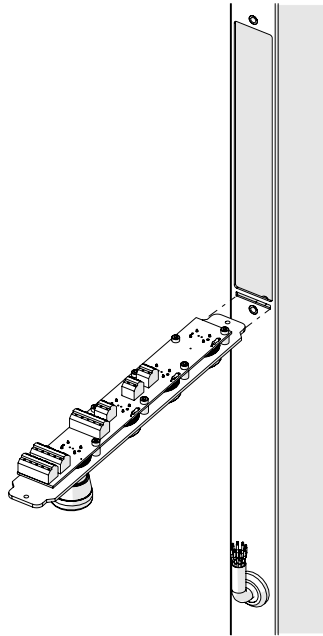
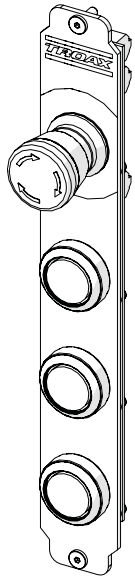
Art no: 88754767 ver.01



Art.no: 88754767 ver. 01

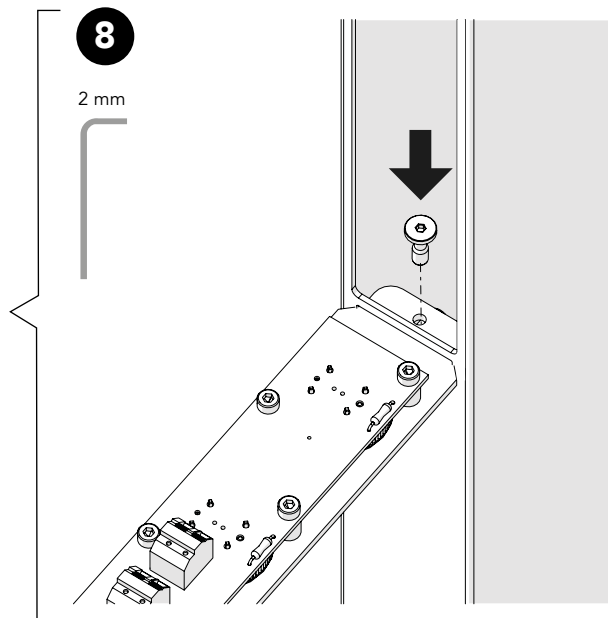
**Kit 6016**

**7**

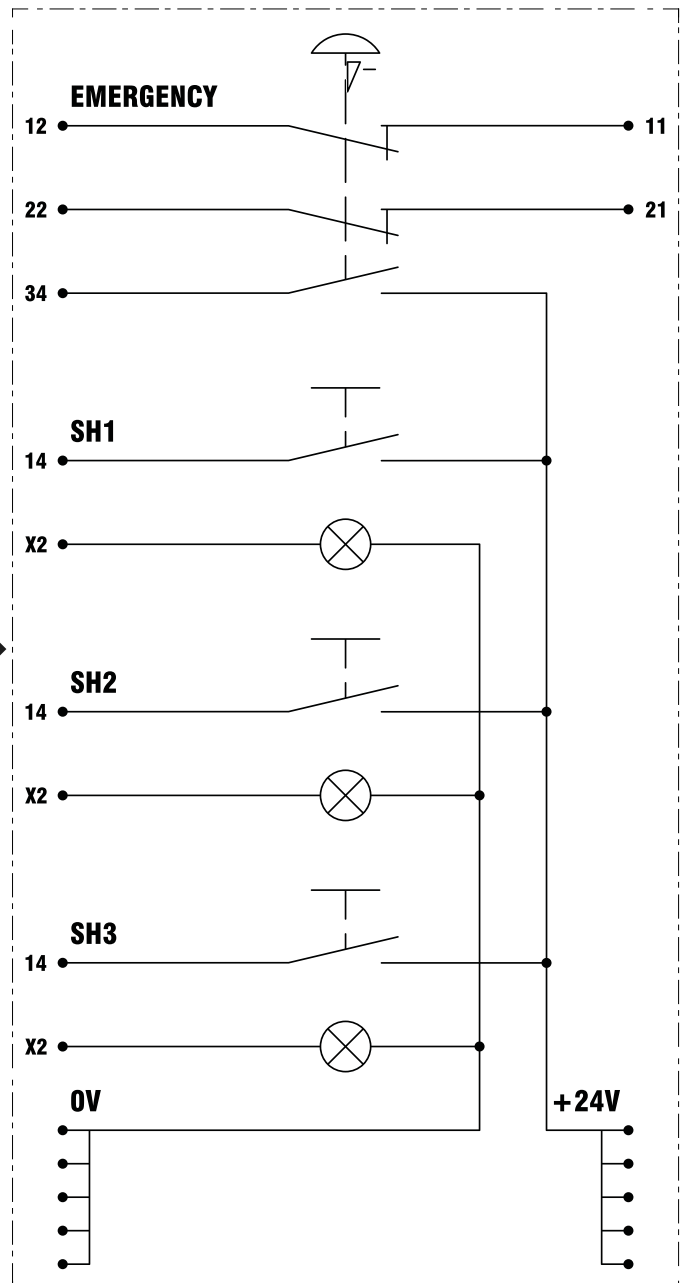
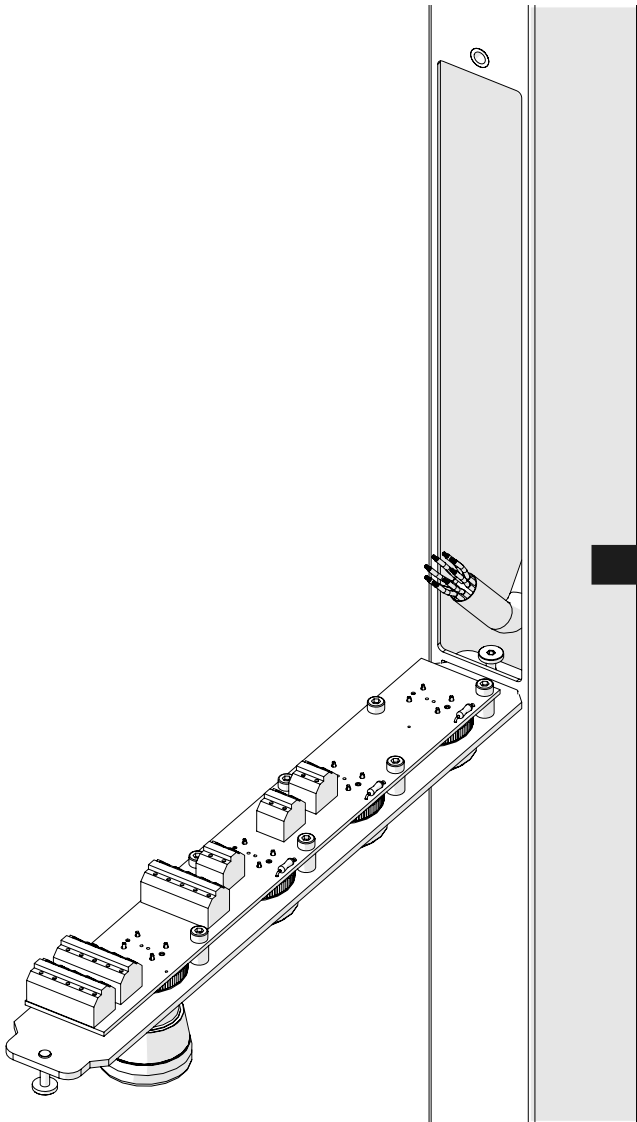


**8**

2 mm



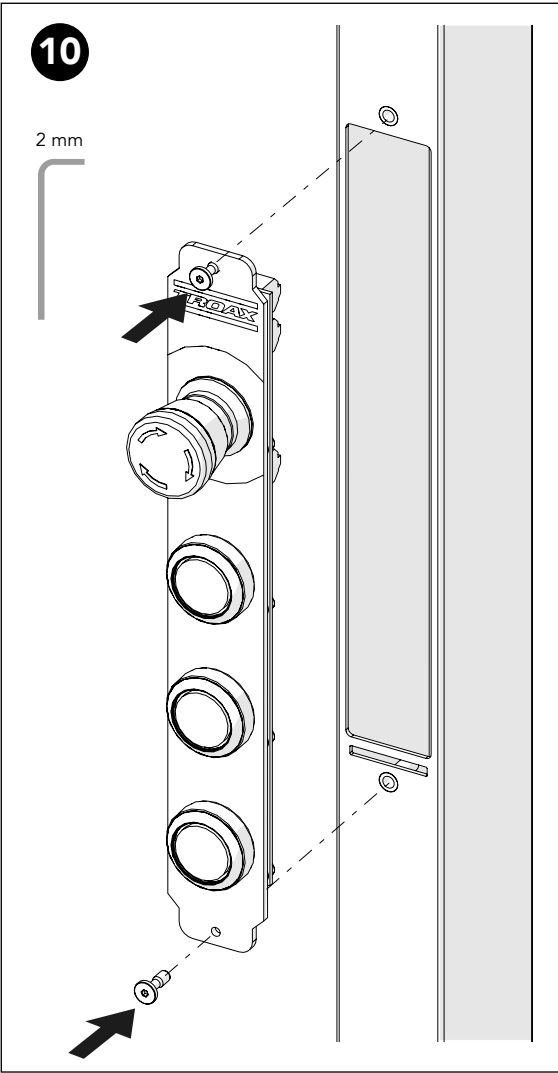
**9**



Art no: 88754767 ver.01

10

2 mm



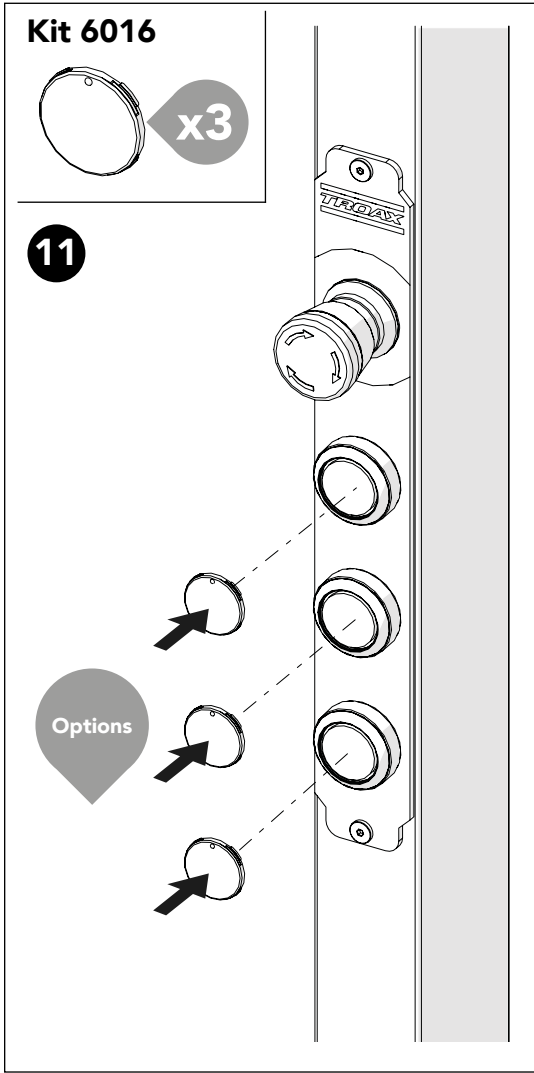
Kit 6016



x3

11

Options



Art.no: 88754767 ver. 01