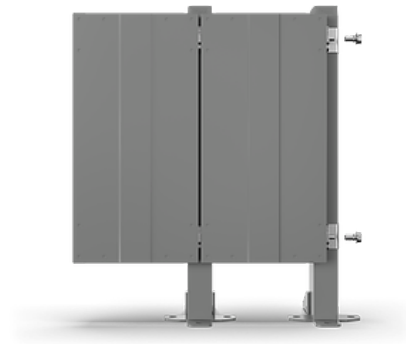


SAFE FIX

The Safe Fix bracket adjoins the panels in front of each post, removing the gap between panels and posts. Together with the steel sheet panels, you can create a fully-covered machine guard for applications with welding or splash risks.

With the kit Safe Fix junction, the bolts are held captive in the guard even when the system is disassembled, fulfilling the requirements of the Machinery Directive.

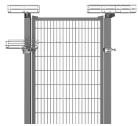
Together with the URSP steel sheet panels, the Safe Fix system is tested to withstand an impact of 309 joules.



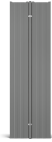
FACTS

ART. NO	COMPONENTS
26504108	Bracket for 60x40 post
36702000	Kit Safe Fix junction
36702020	Kit Safe fix junction PC

ACCESSORIES



WIRE TRAY SYSTEM

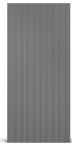


FOAM INFILL

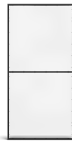
COMBINE WITH



POST 60X40



PANEL FULL STEEL



PANEL ST PC

IMAGES

