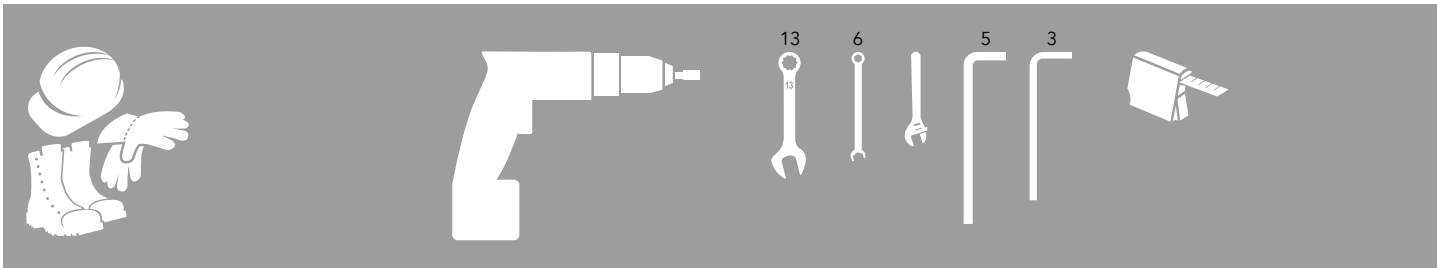


Power Door
Single Rail

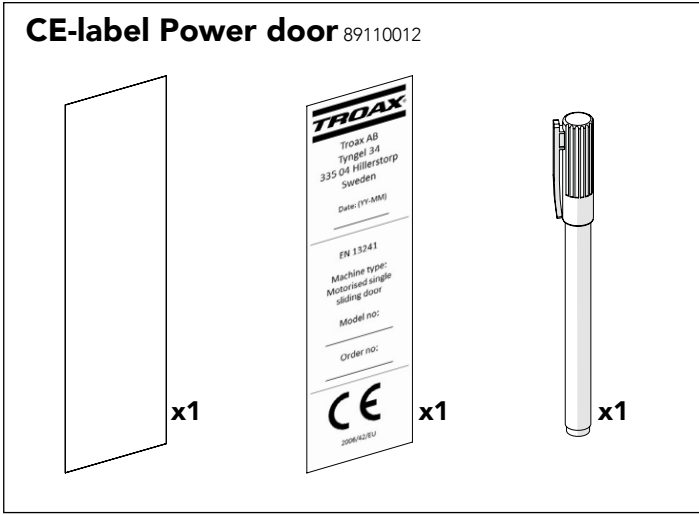
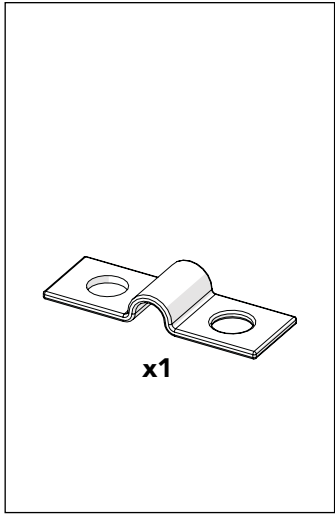
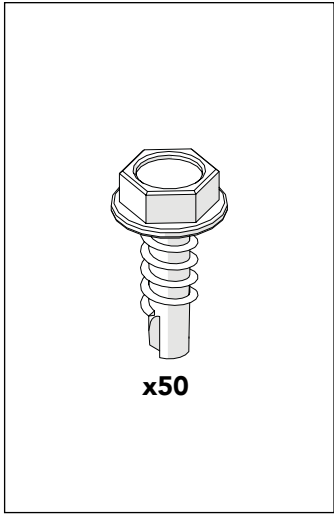
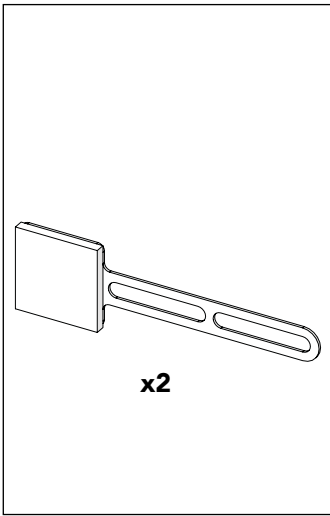
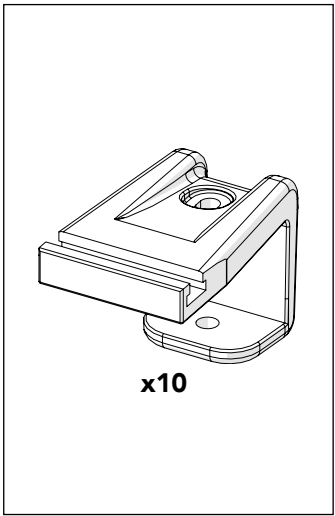
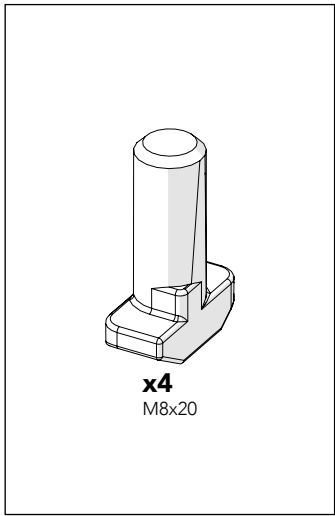
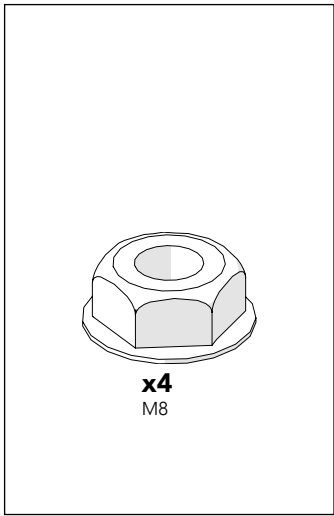
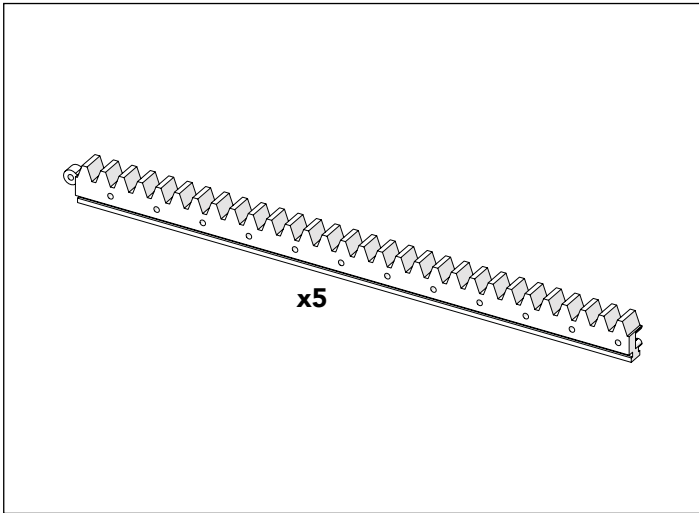
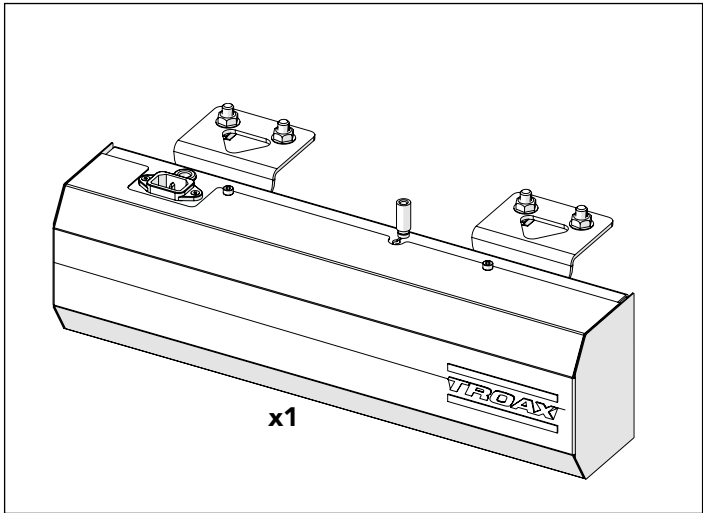


89110003/4

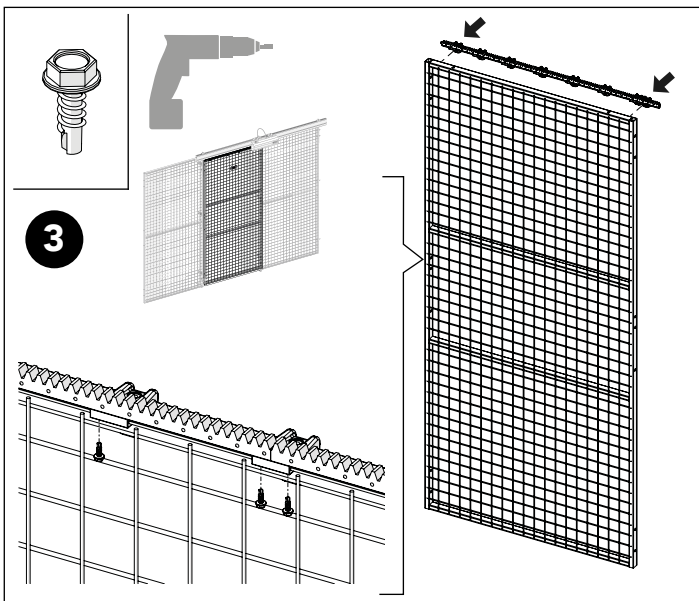
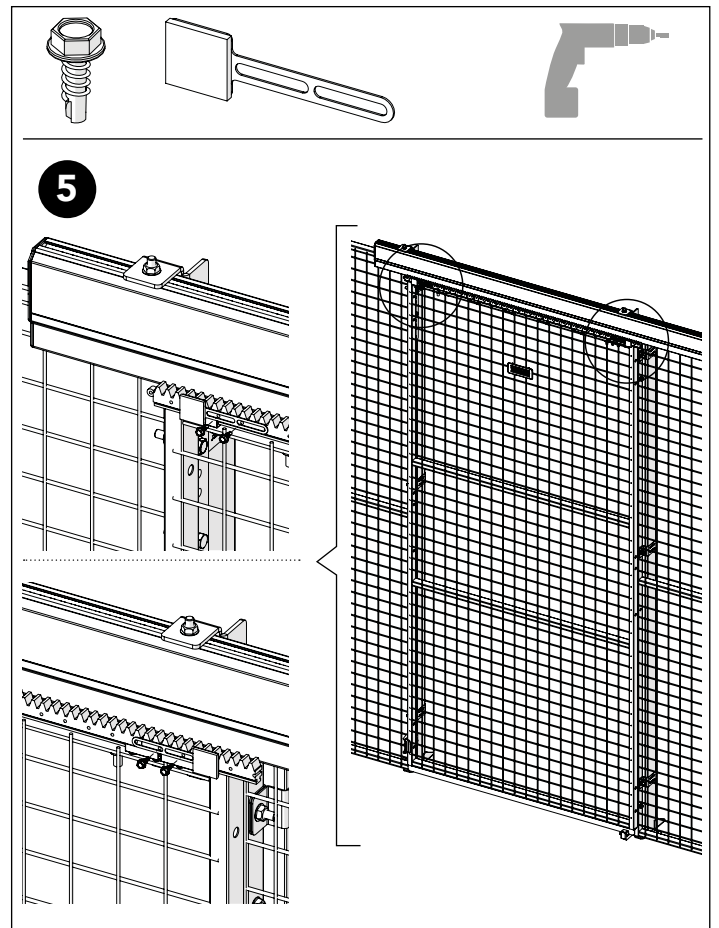
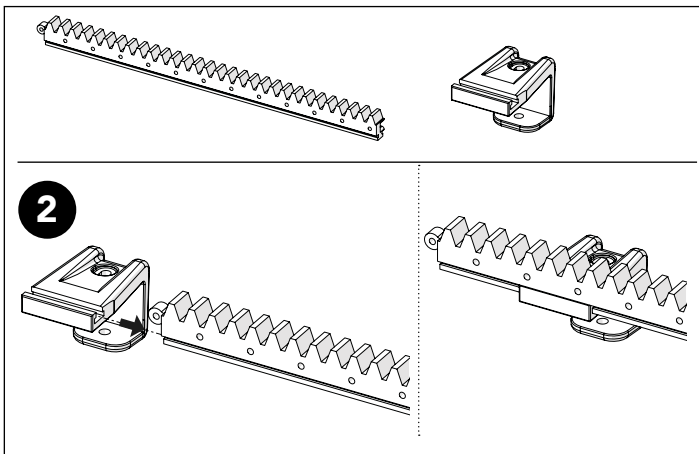
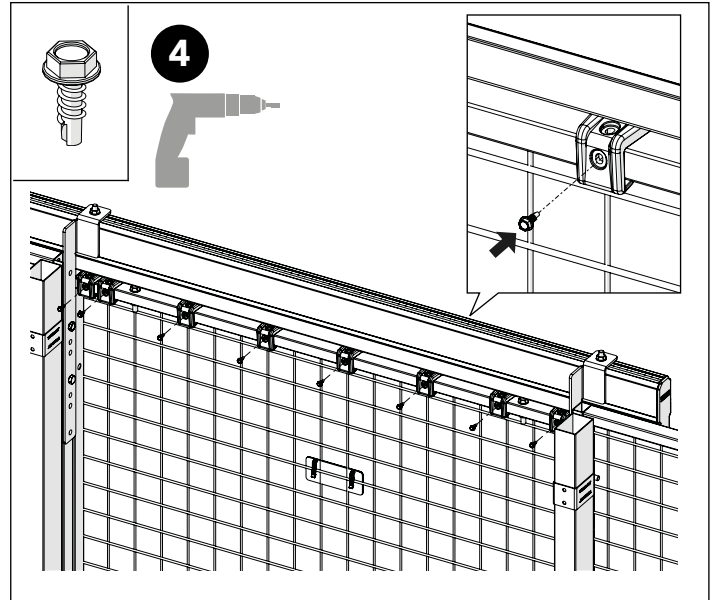
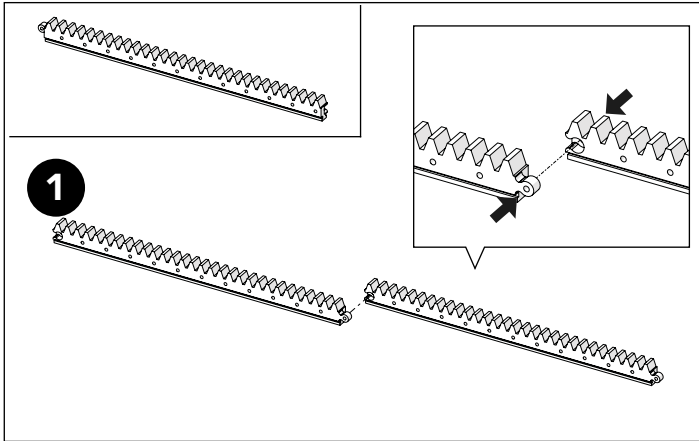
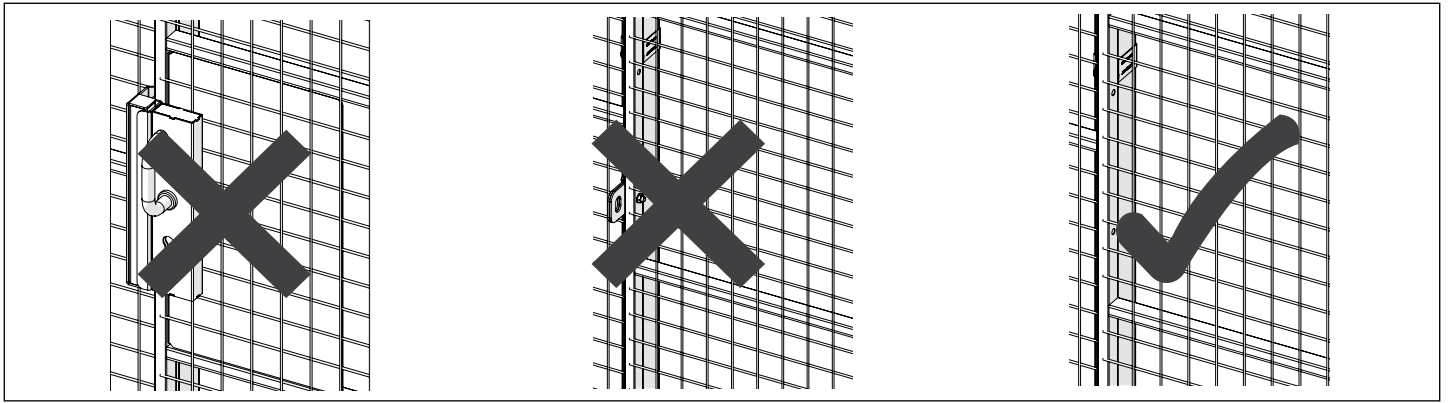
**Drive installation instructions
&
Quick start guide**



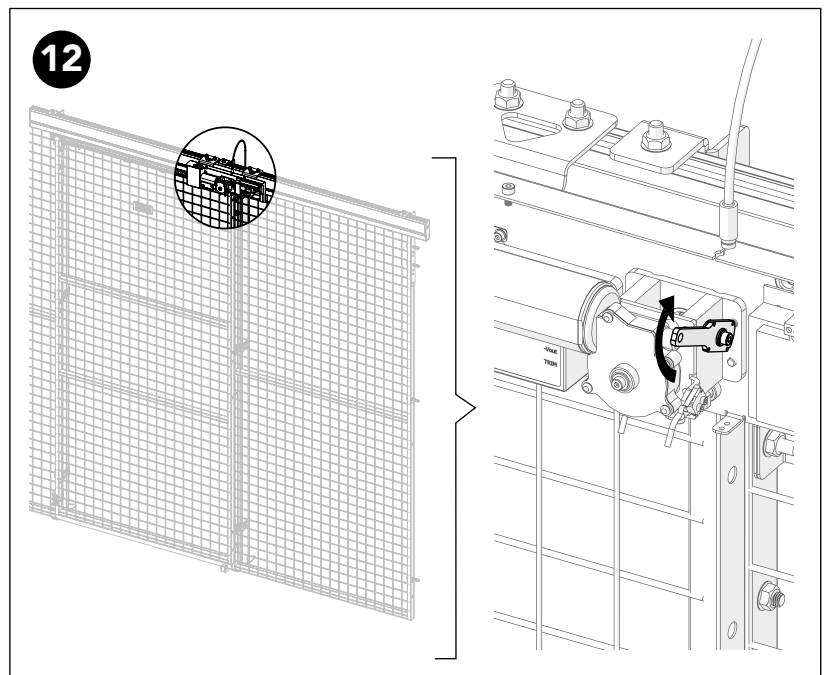
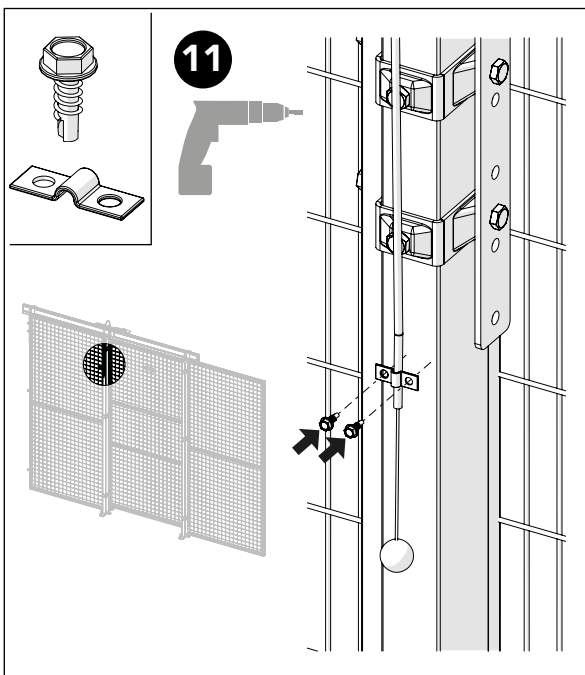
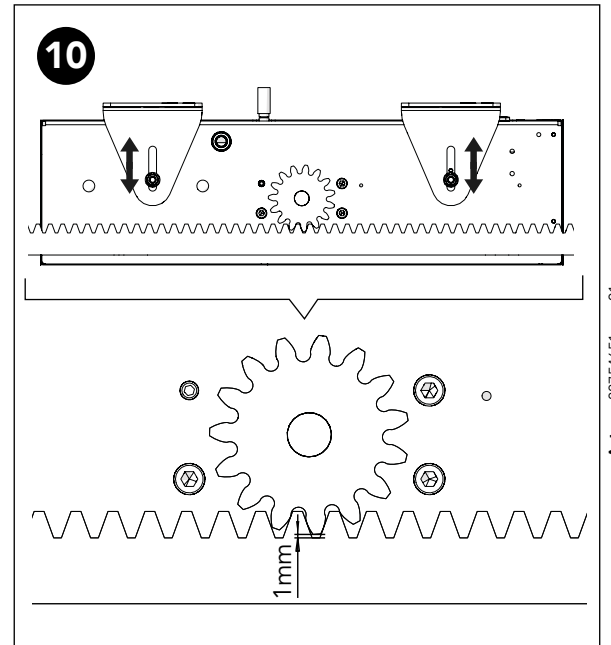
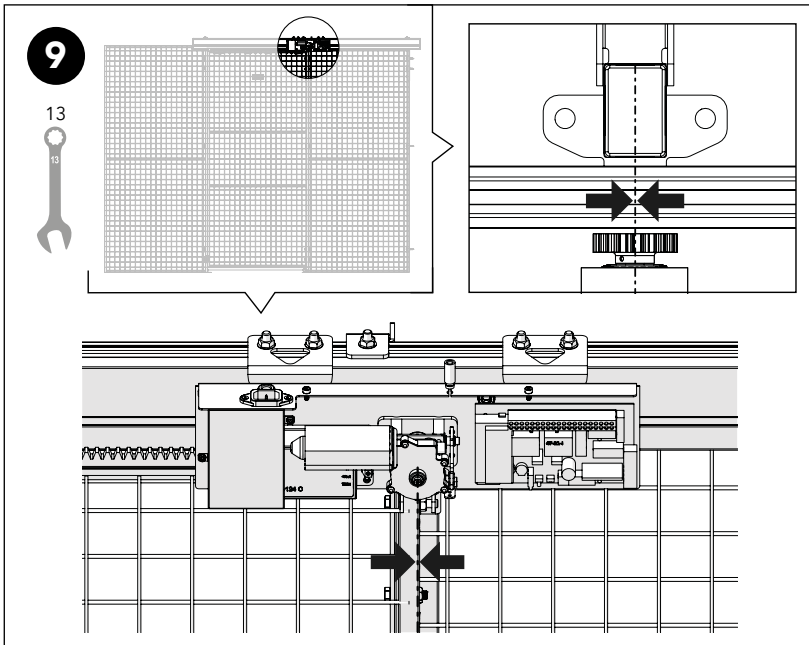
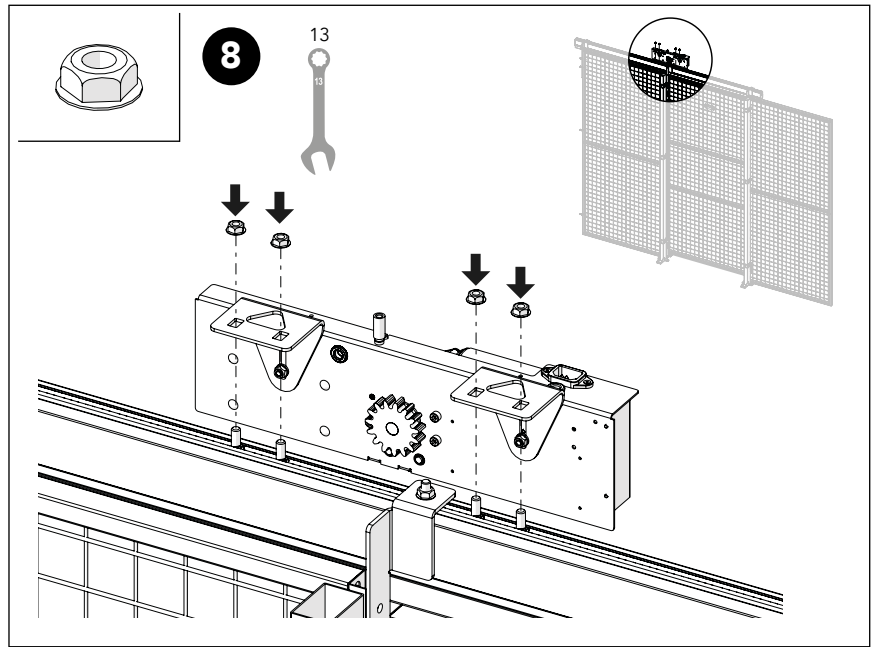
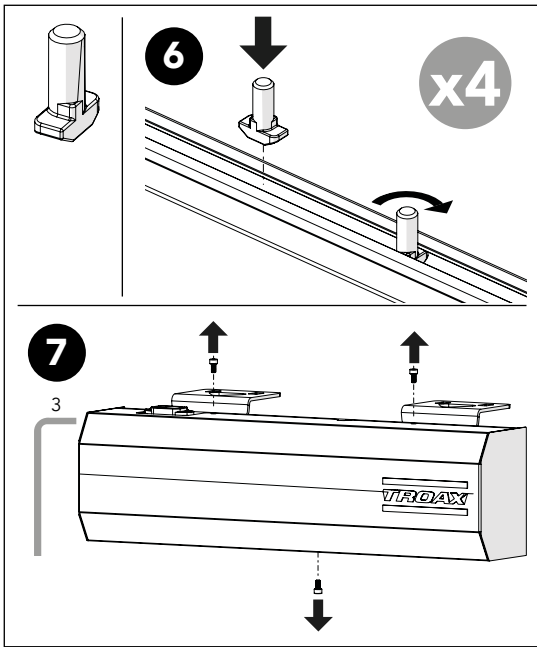
Power Door Single Rail 89110003/4

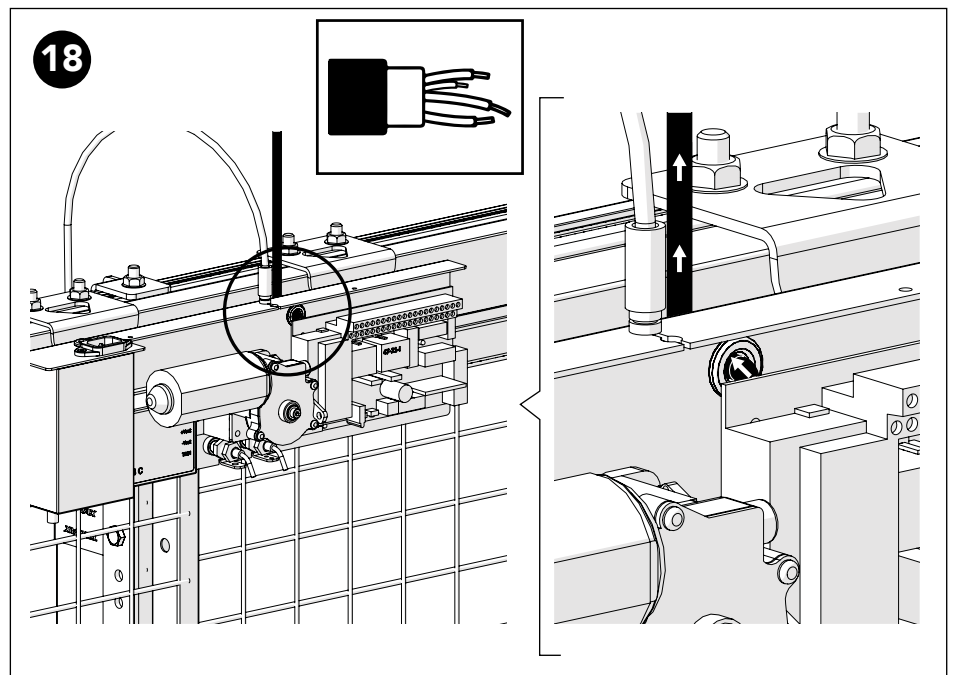
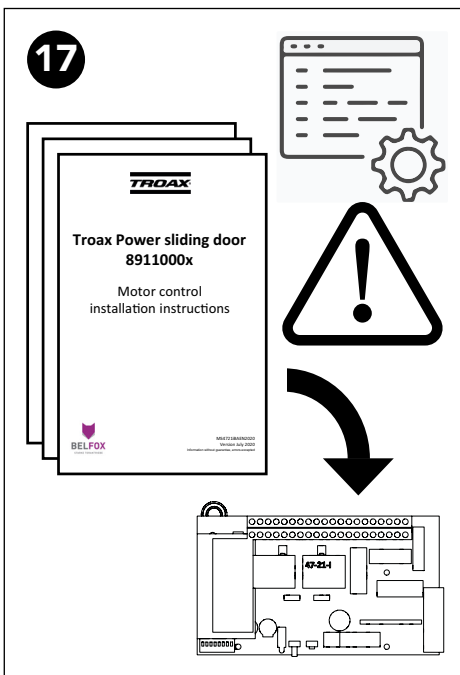
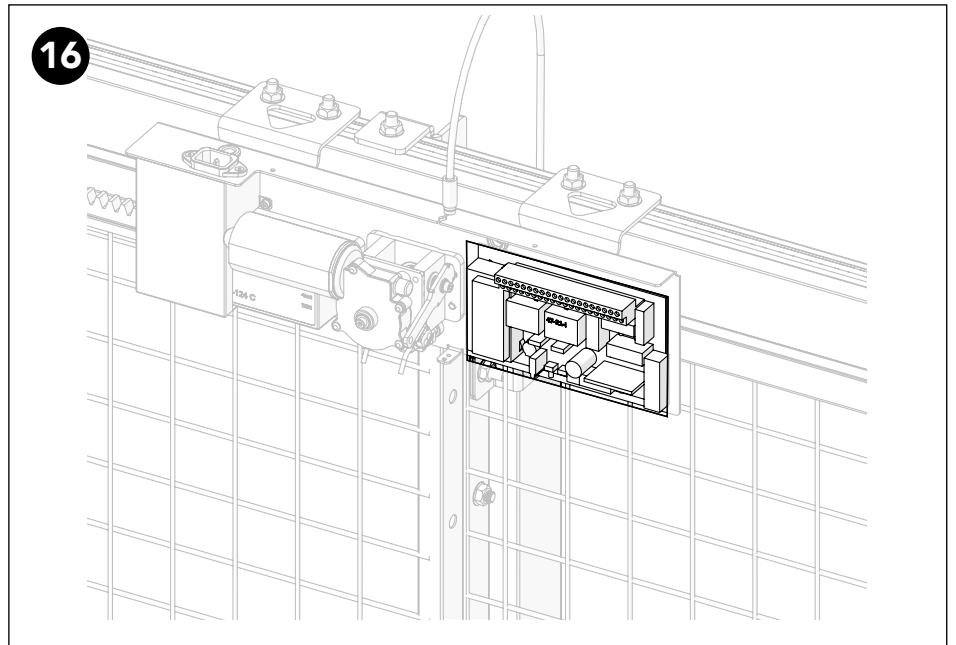
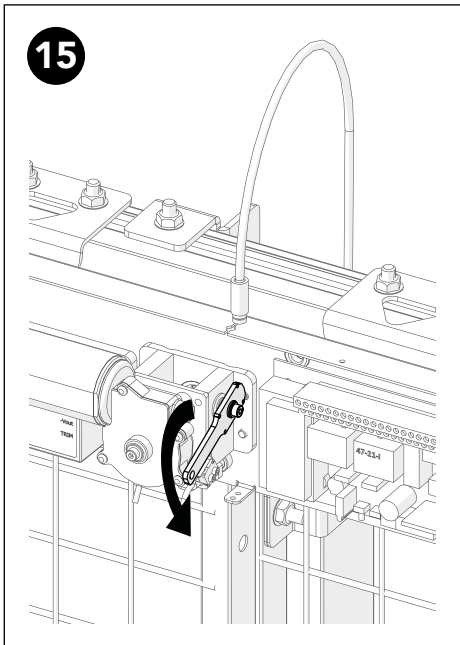
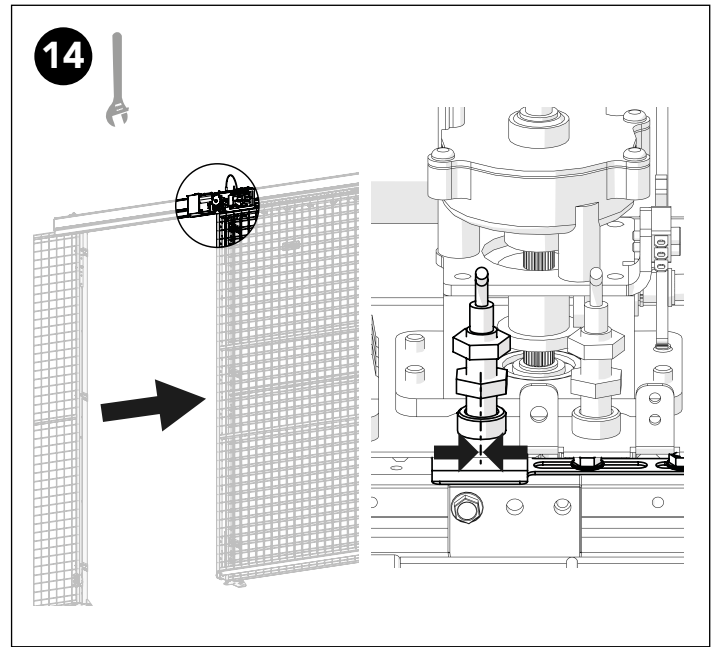
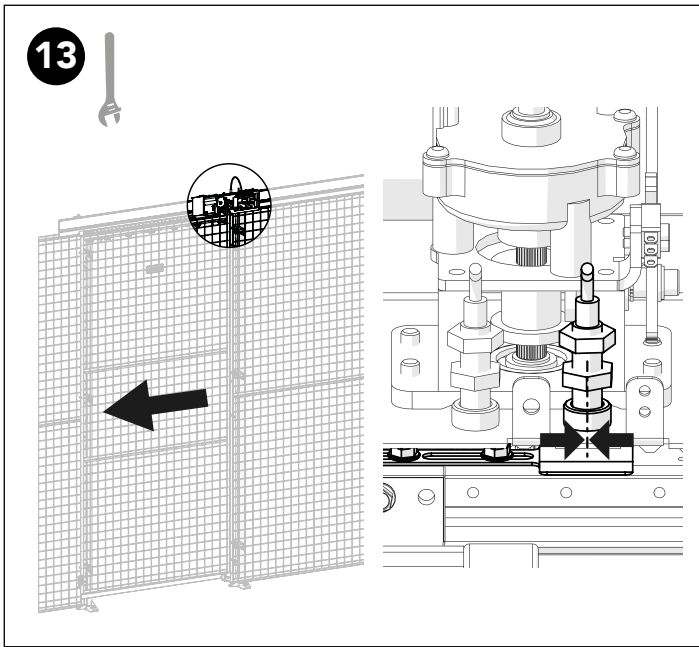


Art no: 88754651 ver.01

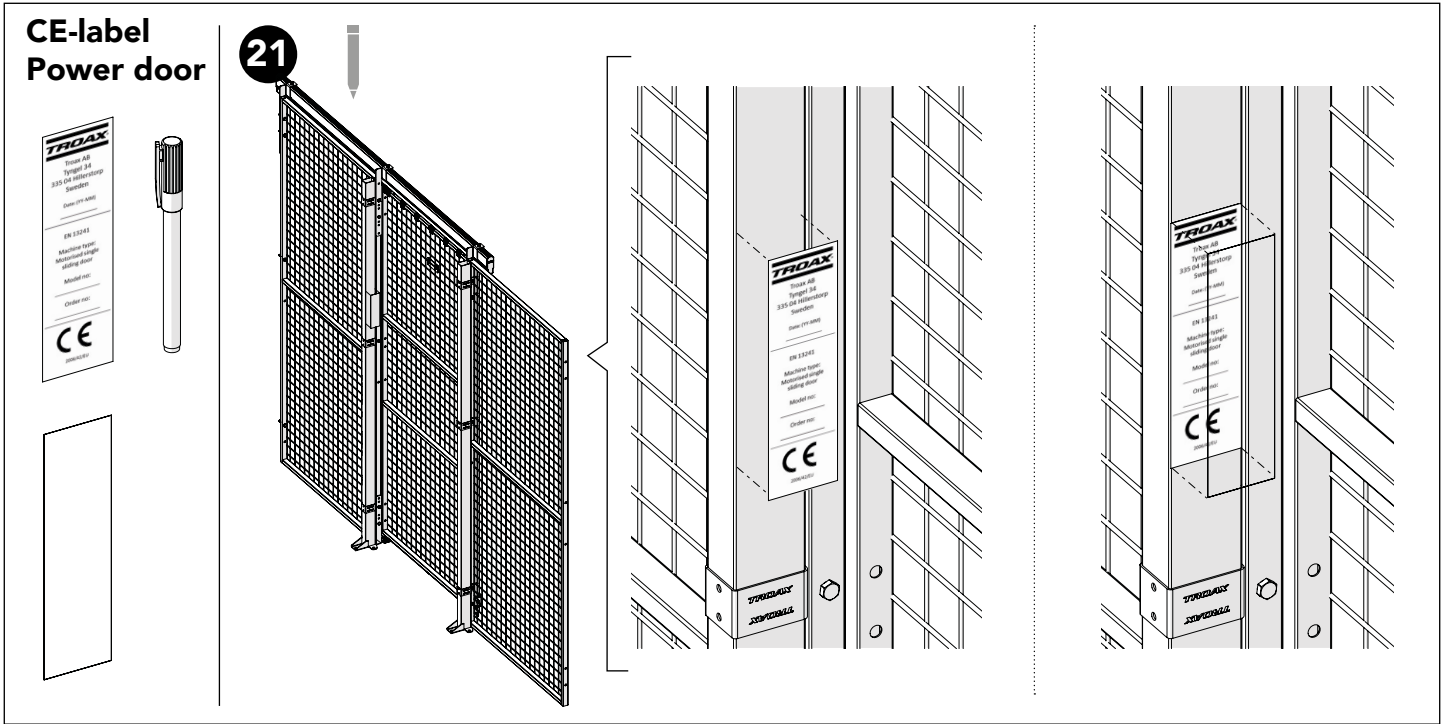
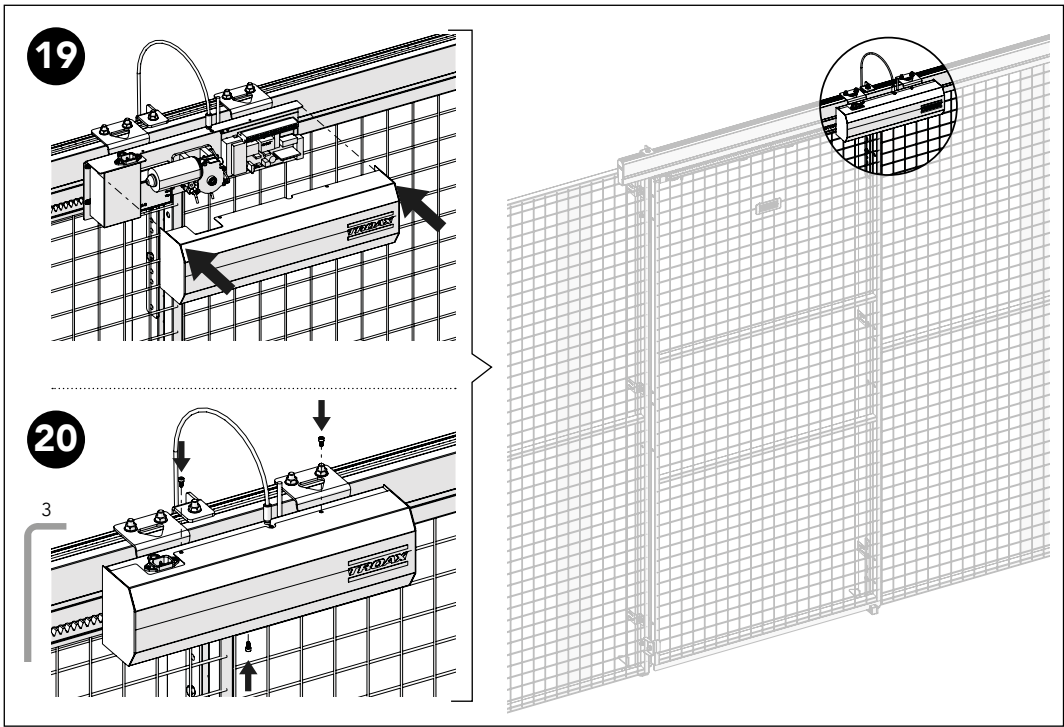


Art.no: 88754651 ver. 01

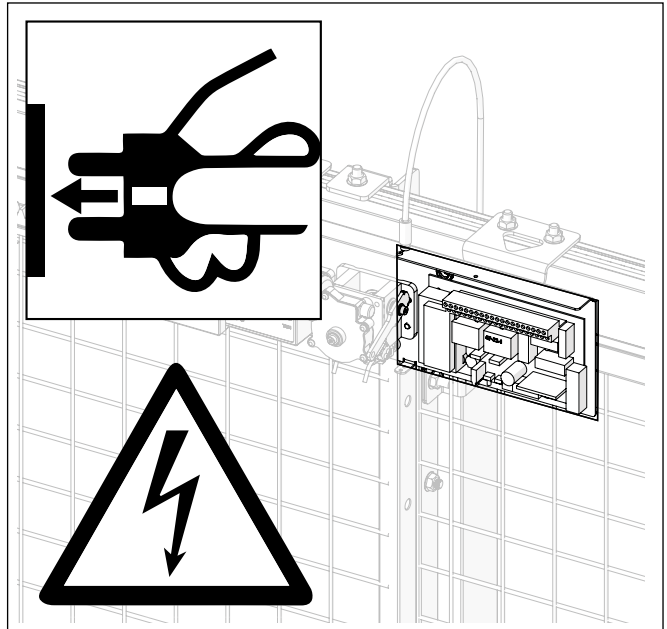




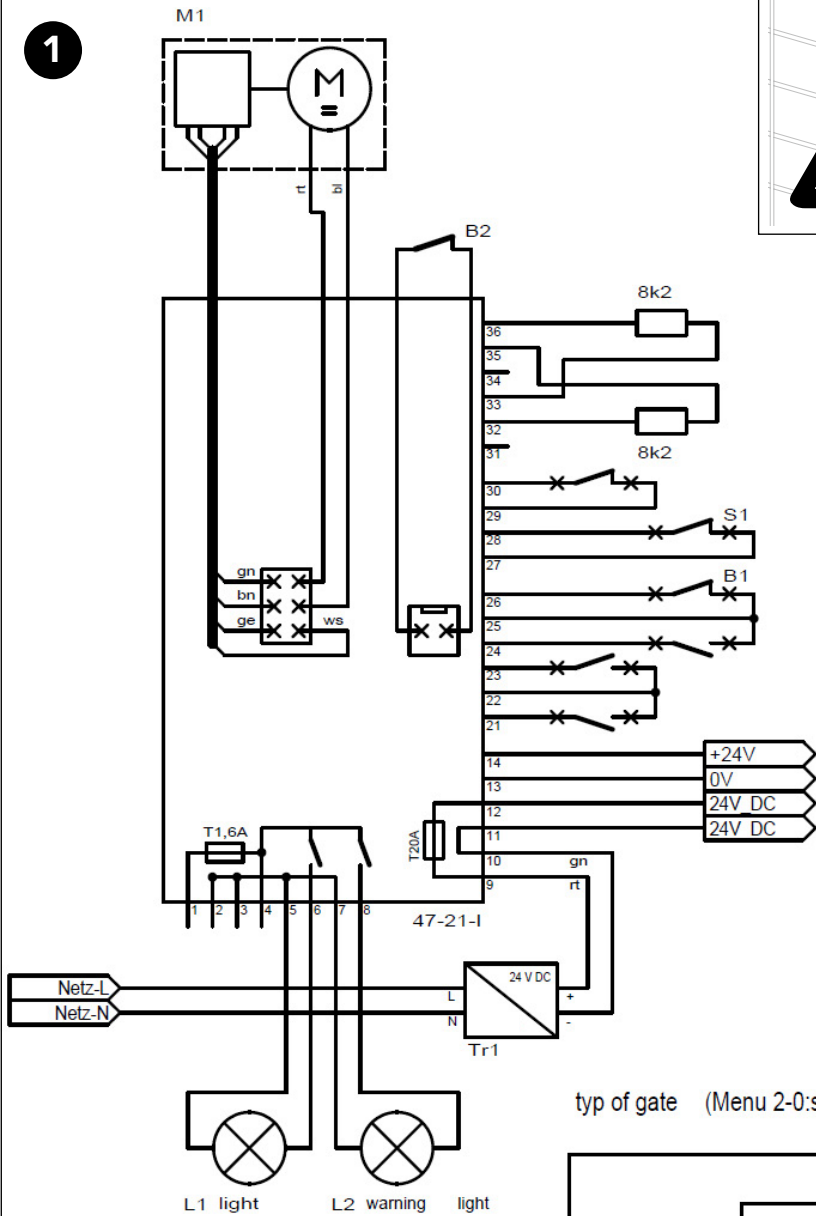
Art. no. 88754651 ver. 01



QUICK START GUIDE

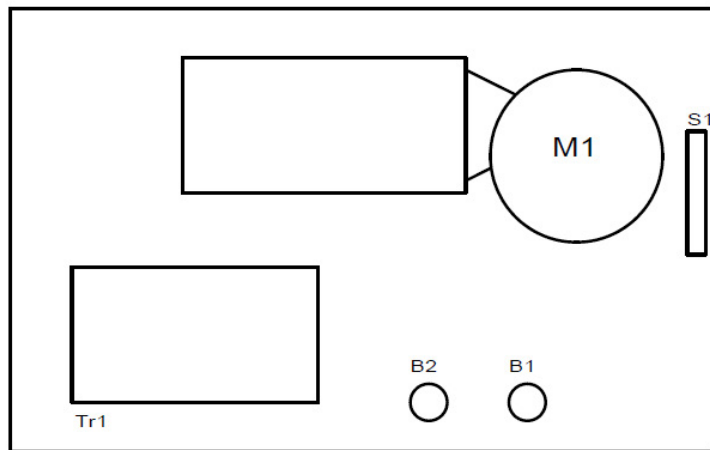


1



typ of gate (Menu 2-0:sliding g.lft)

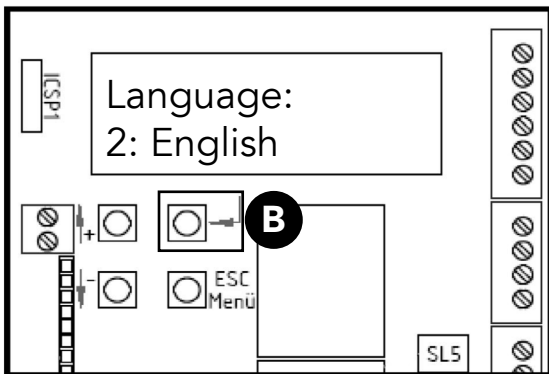
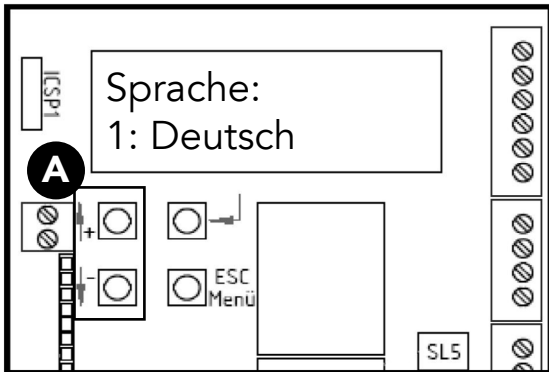
- SE2 (Menu 11)
- SE1 (Menu 10)
- light barrier (Menu 09)
- stop
- D-partiell open (Menu 08-4:end switch)
- C-close (Menu 07-2:stop no panic)
- B-open (Menu 06-2:stop no panic)
- A-impuls (Menu 05)



Art. no. 88754651 ver. 01

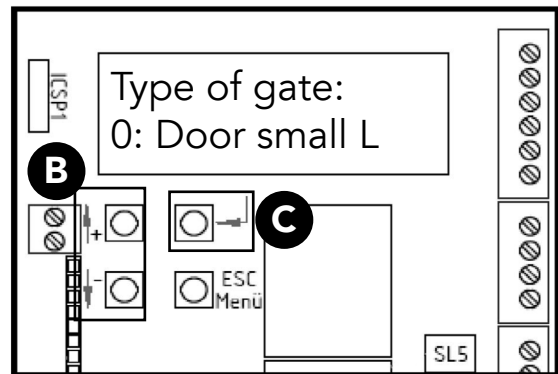
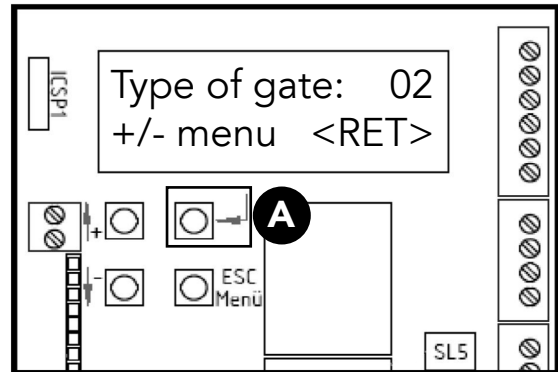
Short instruction of starting the motor control unit.
Please check **Motor control installation instructions**
for detailed information.

2



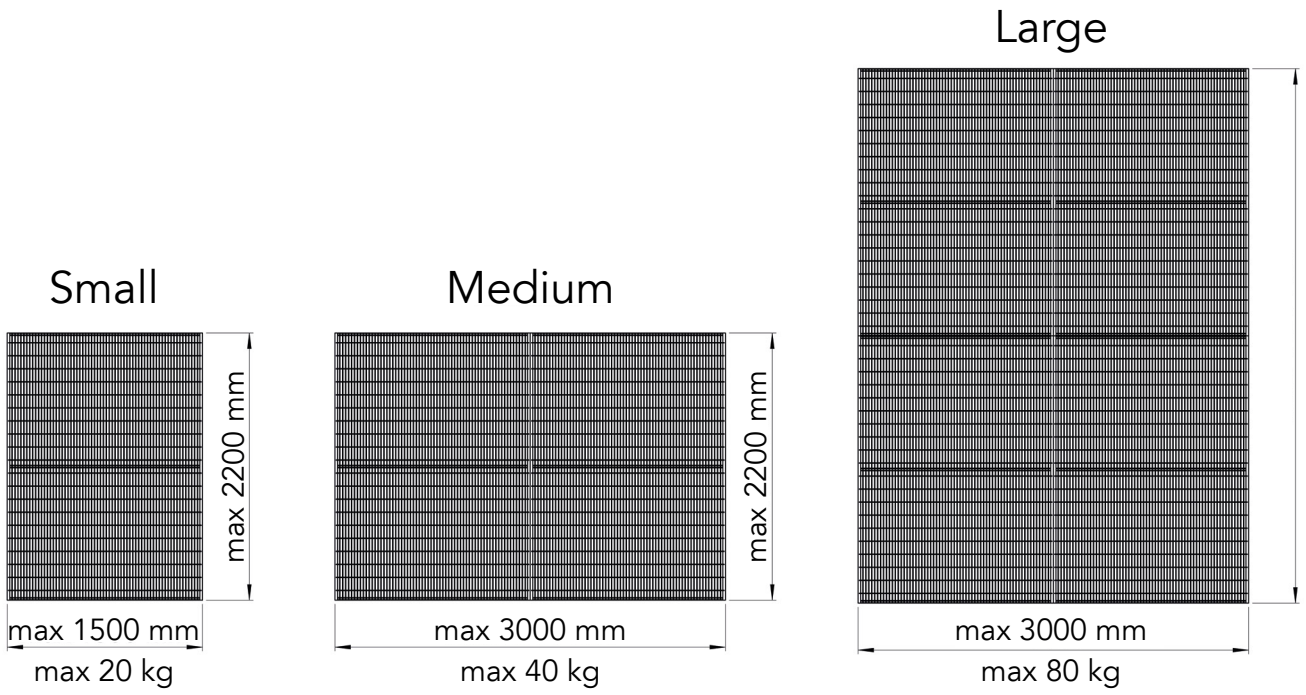
A: Select your language with the +/- Button.
B: Press Return to confirm.

3

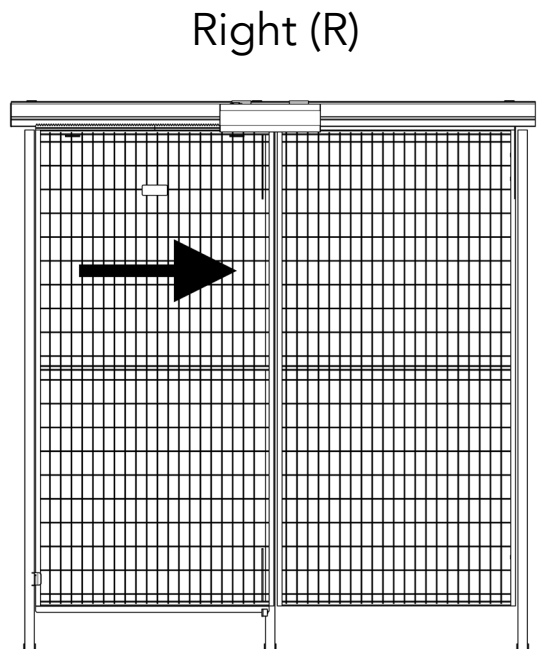
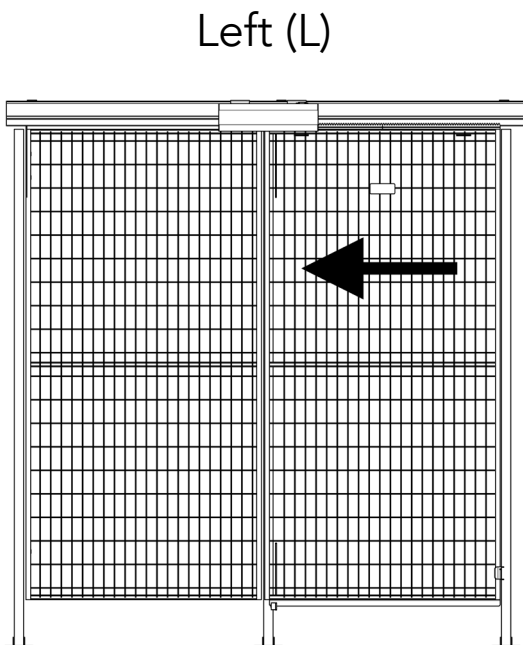


0: Door small L
1: Door medium L
2: Door large L
3: Door small R
4: Door medium R
5: Door large R

A: Press Return
B: Select the gate type with the +/- Button.
C: Press Return to confirm



Art. no. 88754651 ver. 01



<p>4</p> <p>Memorizing runs: <RET></p>	<p>5</p> <p>Fin pos open? Conf. <RET></p>	<p>x3</p>
<p>A: Press the Menu Button several times until the display shows Memorizing runs.</p> <p>B: Confirm with Return</p>	<p>A: Press Return to start the automatic memorizing runs</p>	<p>Attention: the door closes and opens automatically 3 times. Starts with close</p>

<p>6</p> <p>Attention ! Memorizing</p>	<p>7</p> <p>Memor runen OK? →YES←NO <RET></p>	
<p>You can stop the memorizing runs at any time by pressing any button</p>	<p>When finished the door remains open. A: Confirm with Return</p>	