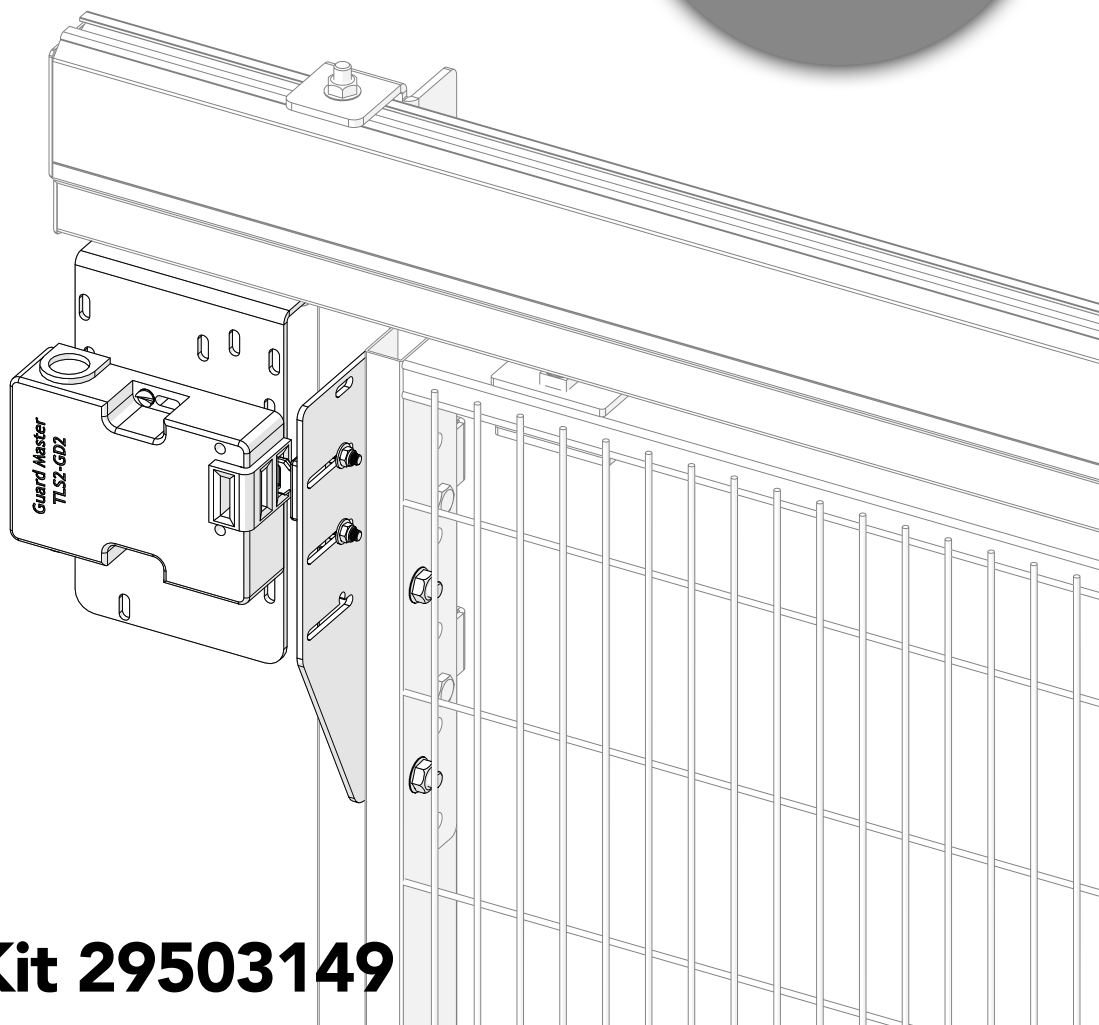
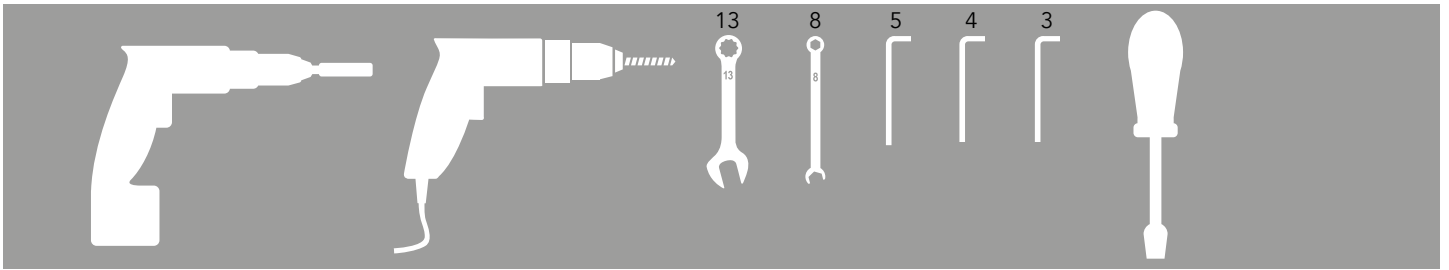


Kit for switch  
no.2  
Sliding door

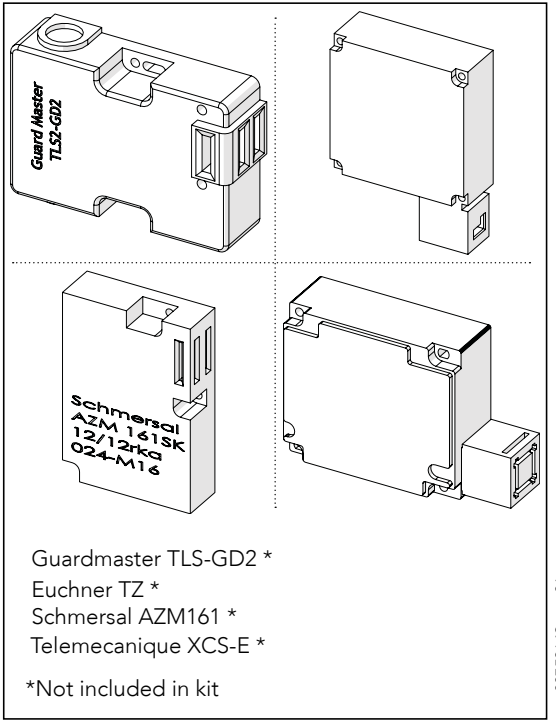
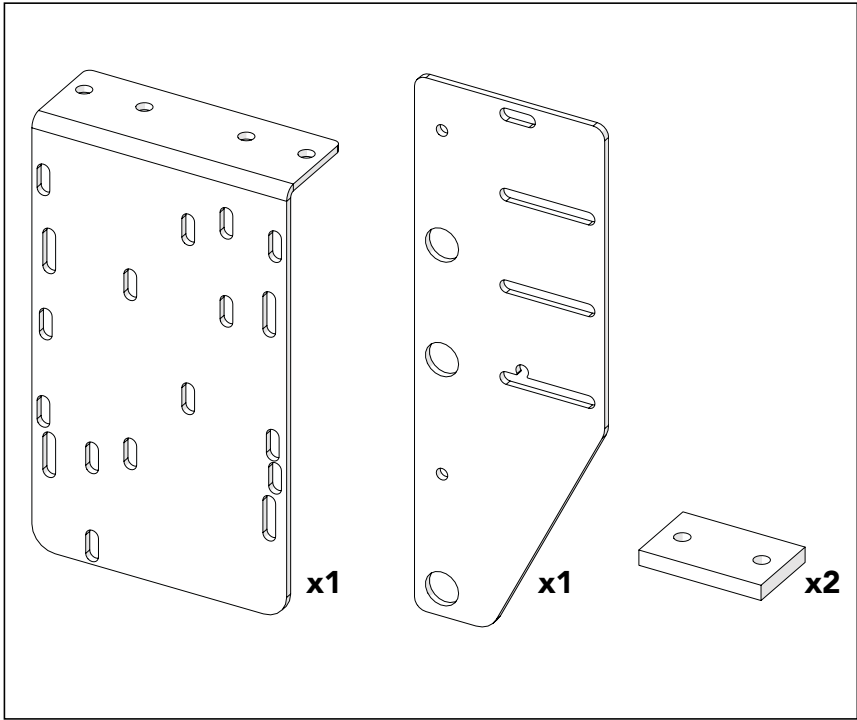


**Kit 29503149**

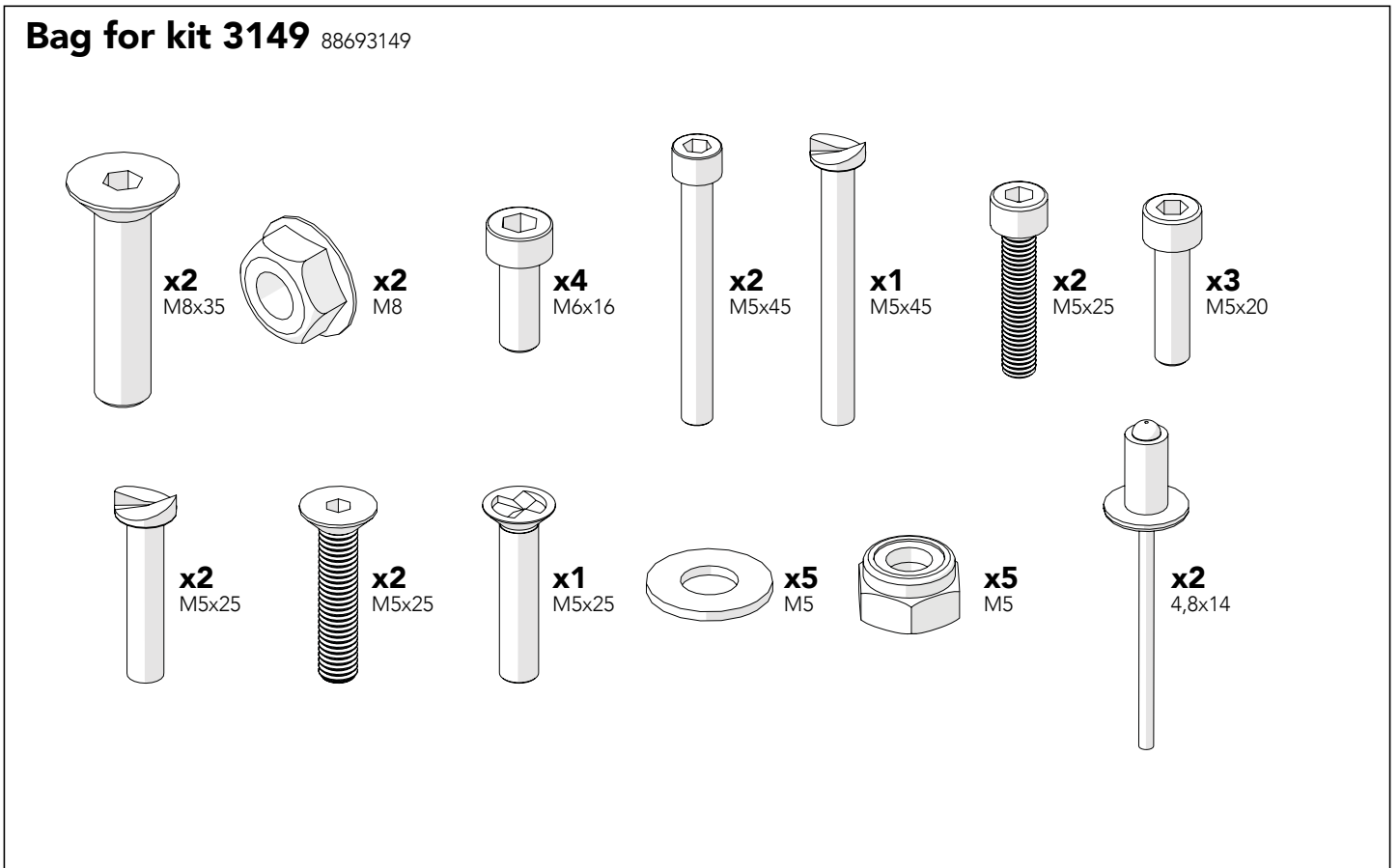
Art no: 88753149 ver. 01  
Print no: 201902-3840-EN



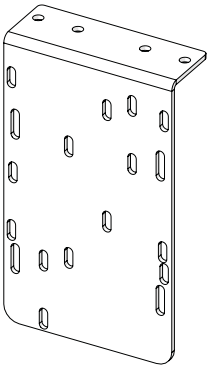
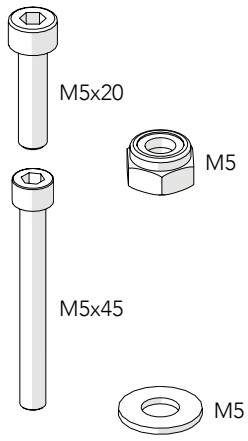
# Kit for switch no. 2 sliding 29503149 Fits switches



Art no: 88753149 ver.01

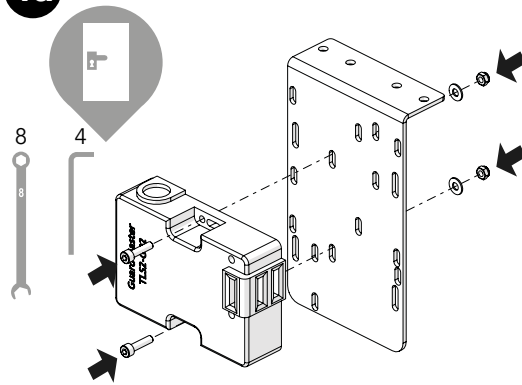


**Bag for kit 3149**

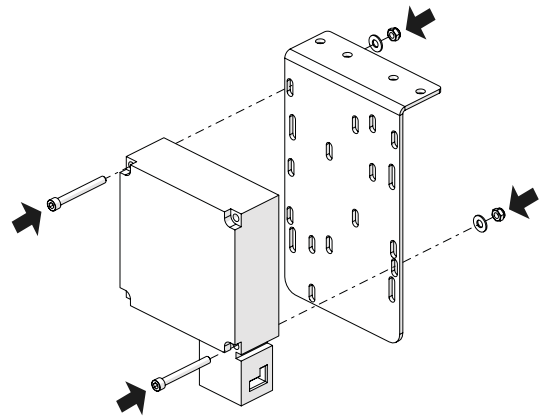


**1a**

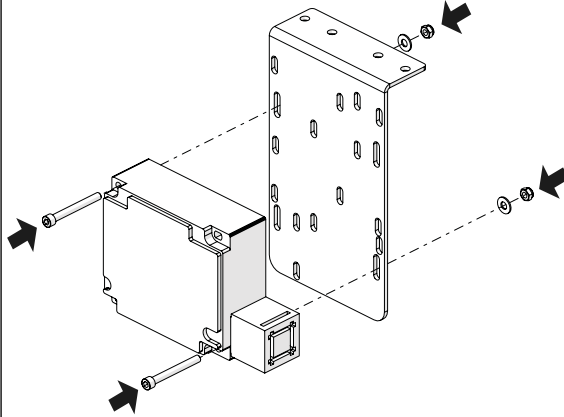
Guardmaster TLS-GD2 (M5x20)



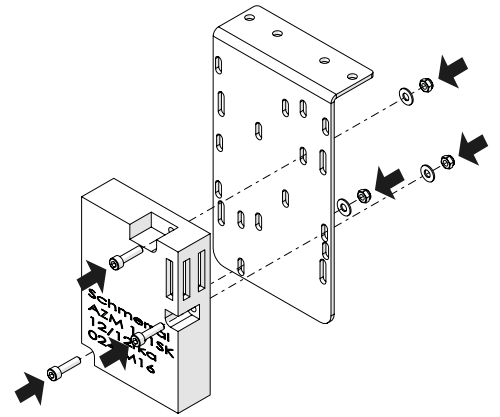
Euchner TZ (M5x45)



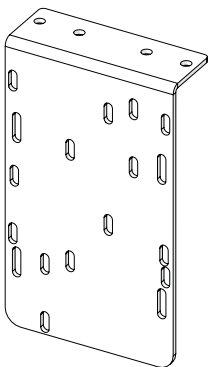
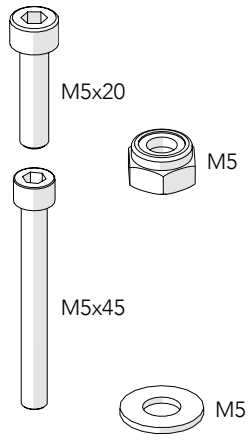
Schmersal AZM161 M5x45



Telemecanique XCS-E (M5x20)

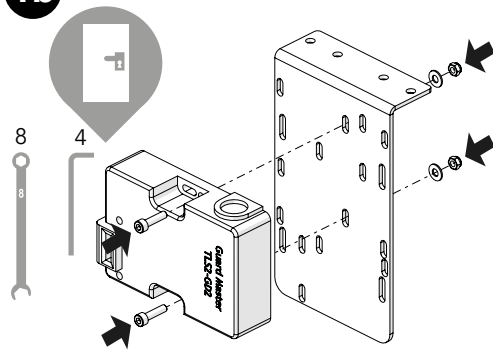


**Bag for kit 3149**

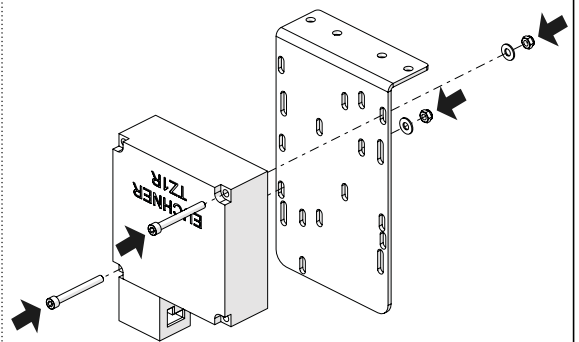


**1b**

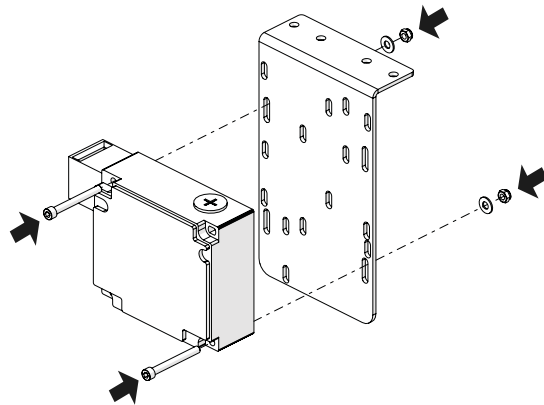
Guardmaster TLS-GD2 (M5x20)



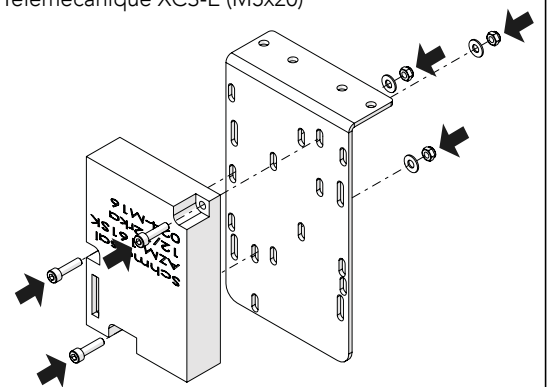
Euchner TZ (M5x45)



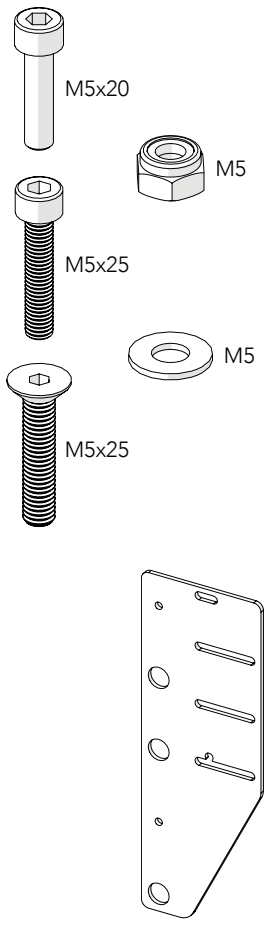
Schmersal AZM161 (M5x45)



Telemecanique XCS-E (M5x20)

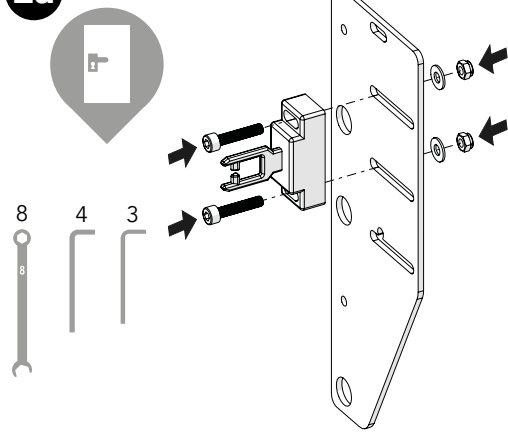


**Bag for kit 3149**

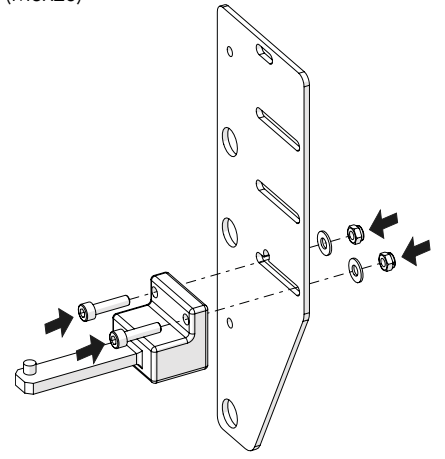


**2a**

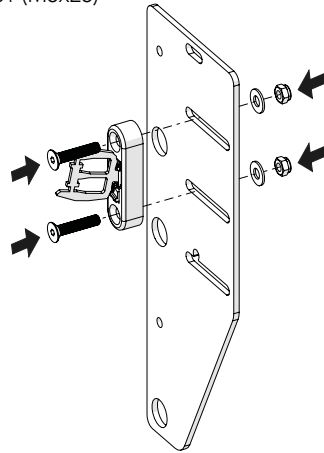
Guardmaster TLS-GD2 (M5x25)



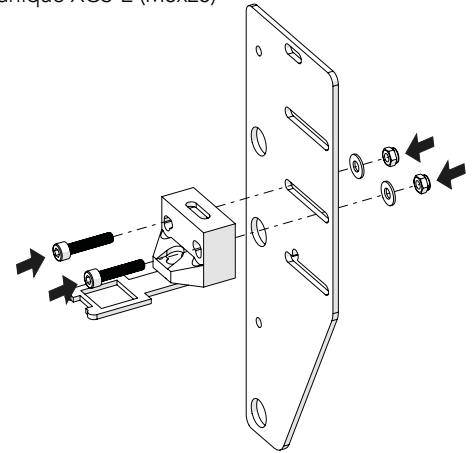
Euchner TZ (M5x20)



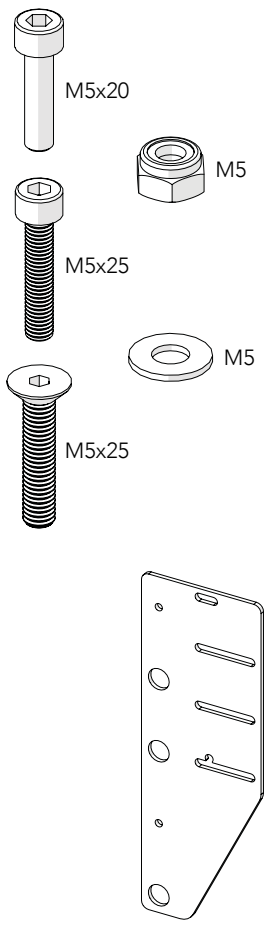
Schmersal AZM161 (M5x25)



Telemecanique XCS-E (M5x25)

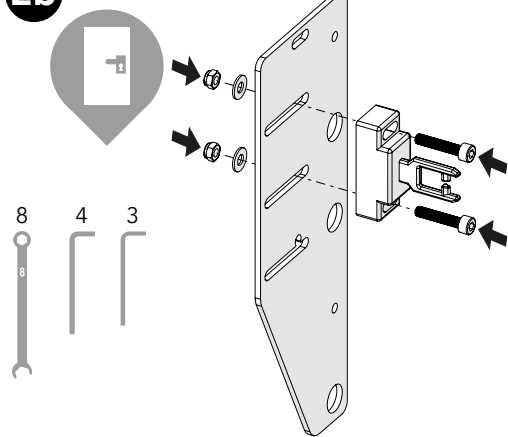


**Bag for kit 3149**

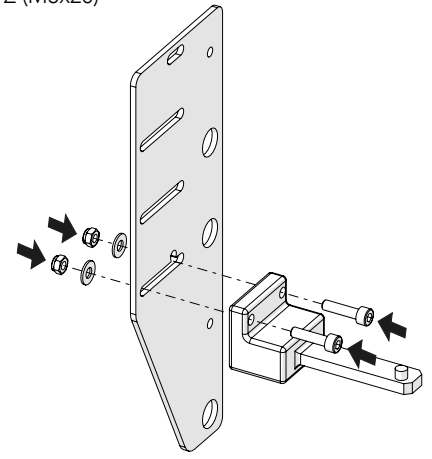


**2b**

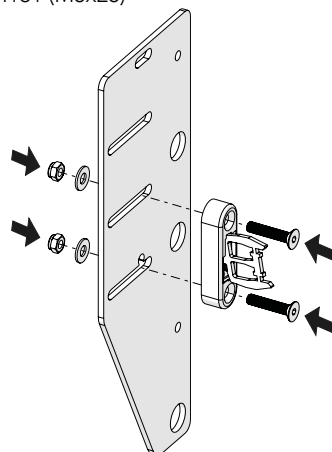
Guardmaster TLS-GD2 (M5x25)



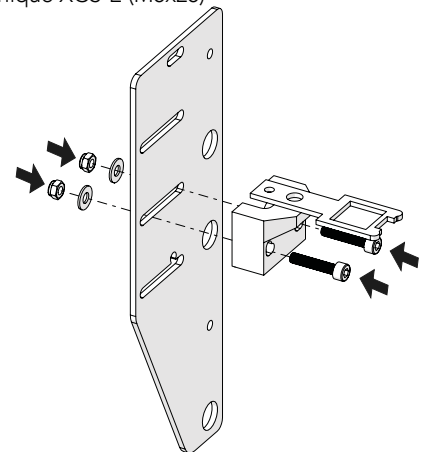
Euchner TZ (M5x20)



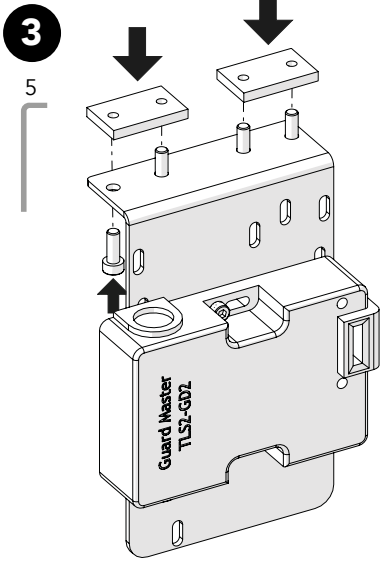
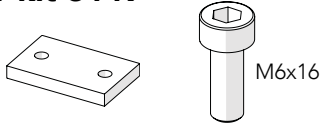
Schmersal AZM161 (M5x25)



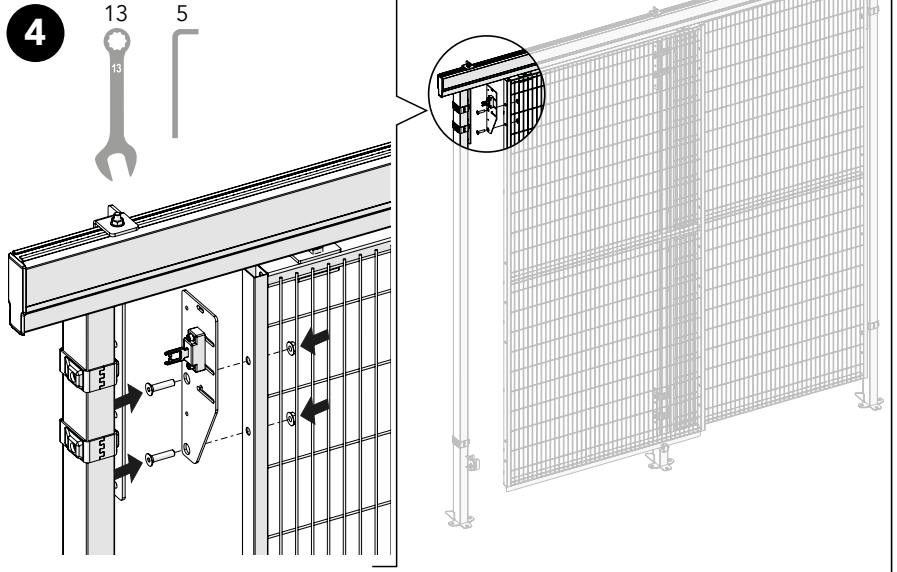
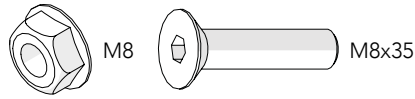
Telemecanique XCS-E (M5x25)



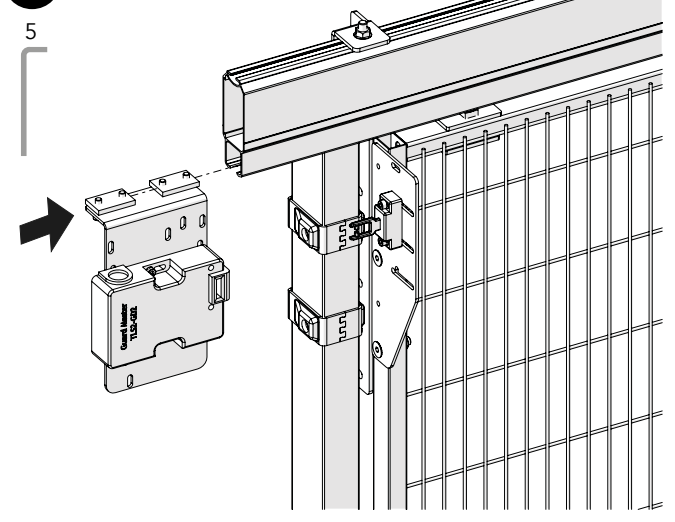
**Bag for kit 3149**



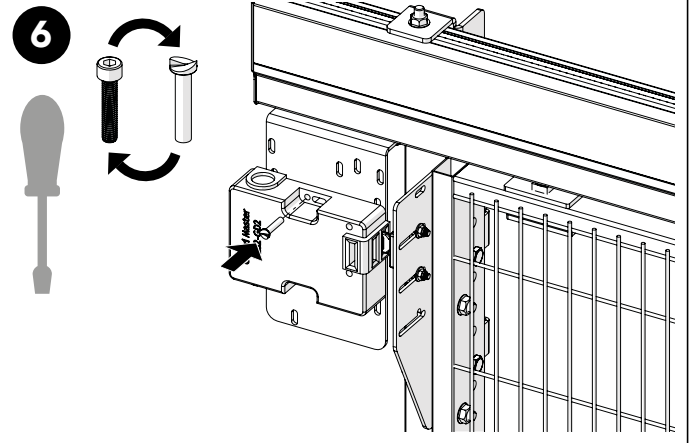
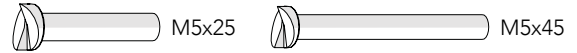
**Bag for kit 3149**



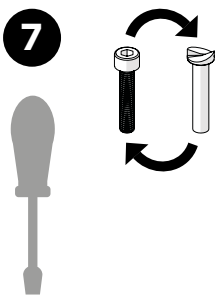
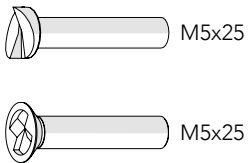
**5**



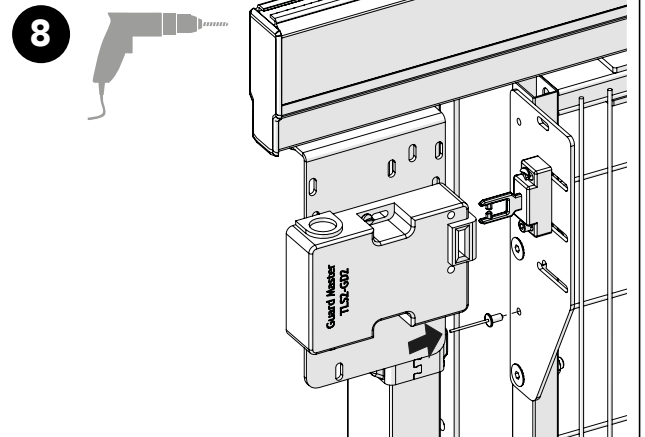
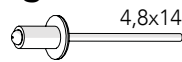
**Bag for kit 3149**



**Bag for kit 3149**



**Bag for kit 3149**



Art.no: 88753149 ver. 01