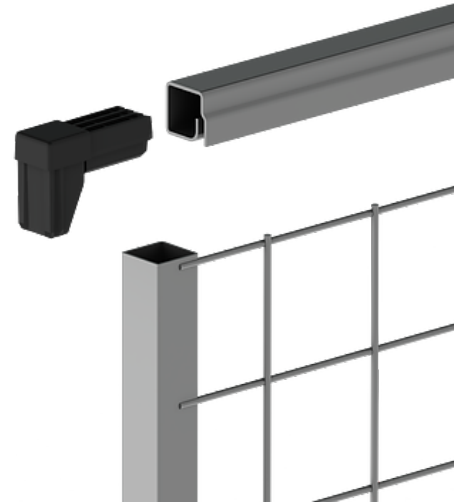


CUT PROFILES

Every installation is unique and Troax cut profiles quickly helps you get the best solution for the project. Just cut the panel to desired height/width and simply attach the profile. The cut profile is designed to easily modify all our different mesh panels during installation without losing the systems strength.

The profile is available on stock in grey and can be supplied in any colour of your choice.



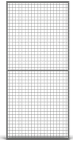
FACTS

ART. NO	COMPONENTS
35700400	Kit cuttingcaps ST20/UR
35800801	Cut prof. UR/ST20 L=200
35800811	Cut prof. UR/ST20 L=300
35800821	Cut prof. UR/ST20 L=700
35800831	Cut prof. UR/ST20 L=800
35800841	Cut prof. UR/ST20 L=1000
35800851	Cut prof. UR/ST20 L=1200
35800861	Cut prof. UR/ST20 L=1500
35800871	Cut prof. UR/ST20 L=500
36500931	ENDPROFILE UR/UX L=2200
36700400	Kit cuttingcaps ST30/UX
36800430	Kit END
36800801	Cut prof. UX/ST30 L=200
36800811	Cut prof. UX/ST30 L=300
36800821	Cut prof. UX/ST30 L=700

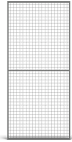


ART. NO	COMPONENTS
36800831	Cut prof. UX/ST30 L=800
36800841	Cut prof. UX/ST30 L=1000
36800851	Cut prof. UX/ST30 L=1200
36800861	Cut prof. UX/ST30 L=1500
36800871	Cut prof. UX/ST30 L=500
36904550	Kit Combine End/Cut profi

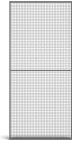
COMBINE WITH



PANEL UX450
PARTITIONING
SYSTEM



PANEL UR350
PARTITIONING
SYSTEM



PANEL UR325
PARTITIONING
SYSTEM



PANEL UR300 ACL

IMAGES

