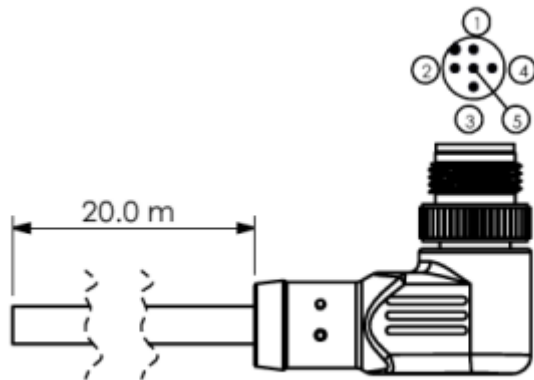
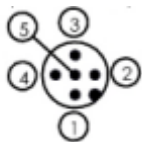


## Cable M12 20m Male/Uncontacted

Troax art: 89051559



Rated Operational Voltage:	60V
Current Rating:	4A
Temperature Range:	-25°C...+85°C
Coding:	A-Coded
Contact:	Cu-Zn
Contact Plating:	Gold Flash
Color:	Black
Coupling Nut:	Brass Nickel-Plated
Cable Type:	5 Core Multi Strand PUR
Cross section of conductor:	0,34mm <sup>2</sup> / 22 AWG
External cable diameter:	5,3±0,3mm
Protection:	IP67
Insertion/withdrawal cycles:	100 Min
Tightening torque:	0,6 Nm
Length:	20 Meters -0% +5%
Pin Color:	1: Brown      2: White      3: Blue      4: Black      5: Gray



Date: 2022-10-25

Version: 1

Product group: Standard

Drawn: JaLun