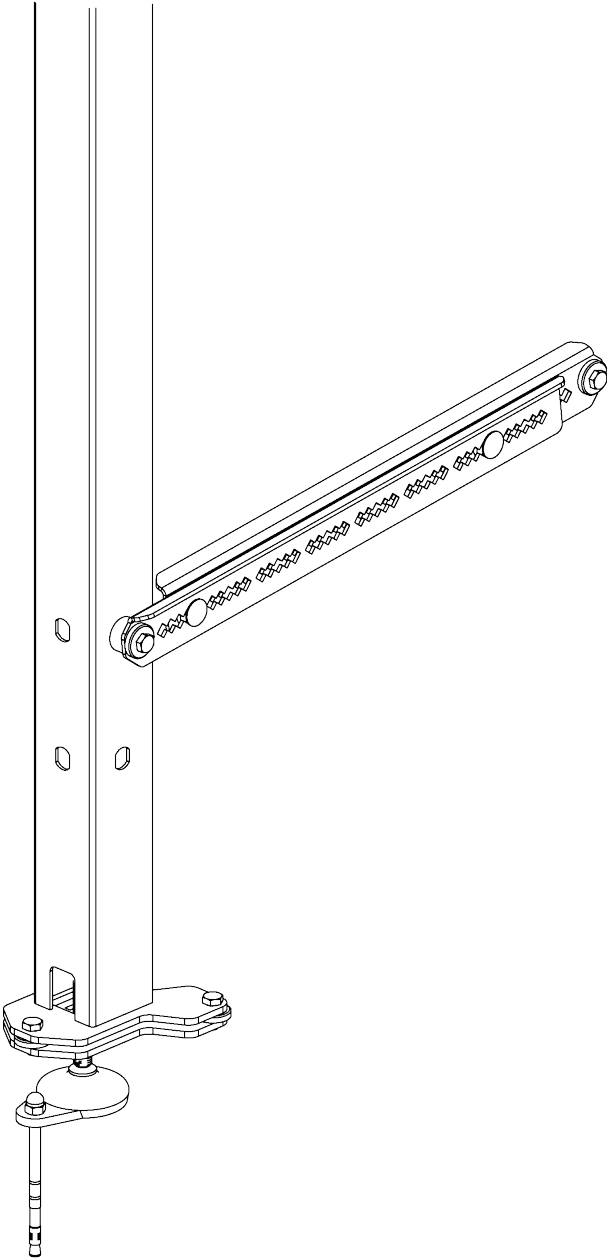
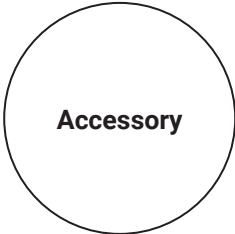


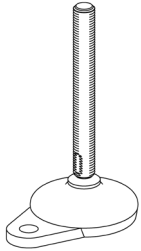
# BlueGuard

hygienic fencing

ADJUSTABLE FOOT



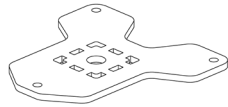
**VREGBLEG**  
16800060



x1

**VCSTAFFABLG**  
16800050

**830230**



x1

**4KBLGSTAFFAPR**

ISO 4017 M8 X 30

**830025A**



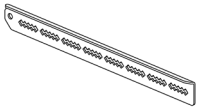
x3



x3

**VKITPREGBLG**  
16800070

**830231**



x2

**4KKITPREGBLG**

**4TPTASS008115W**

**830021**

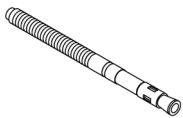
**830026A**

**830025A**

ISO 4017 M8 X 30

ISO 8678 M8 X 35

DIN 1587 M8



x1



x1



x1



x5



x1

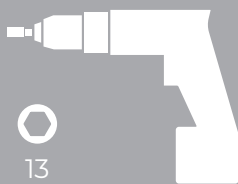


x2



x3

**Tools**



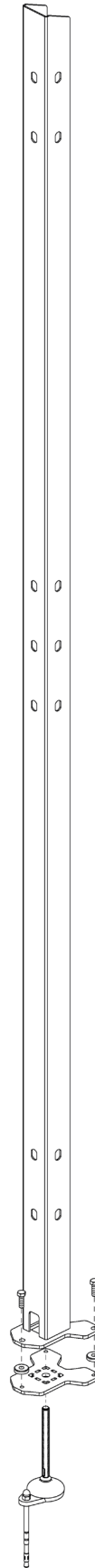
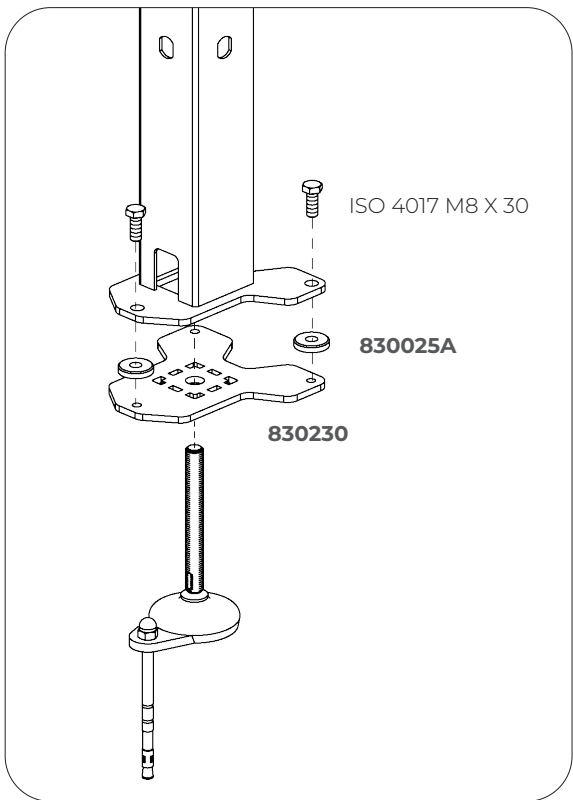
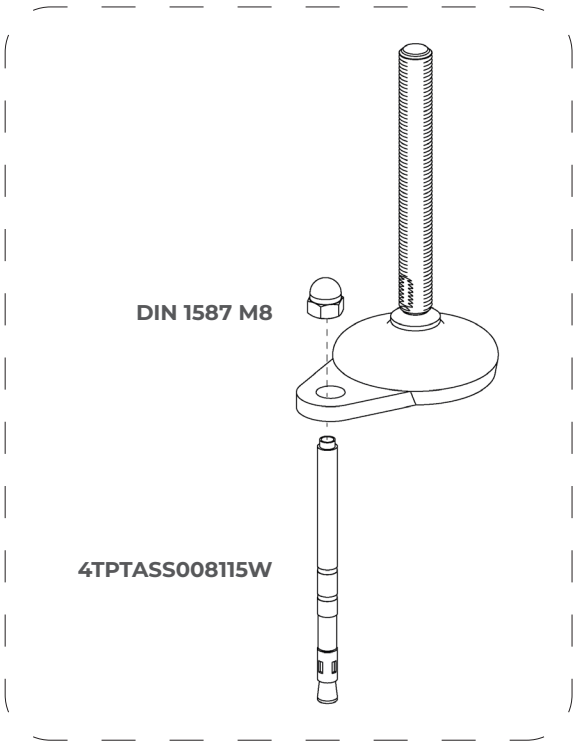
13



13

# BlueGuard

ADJUSTABLE FOOT



# BlueGuard

ADJUSTABLE FOOT

