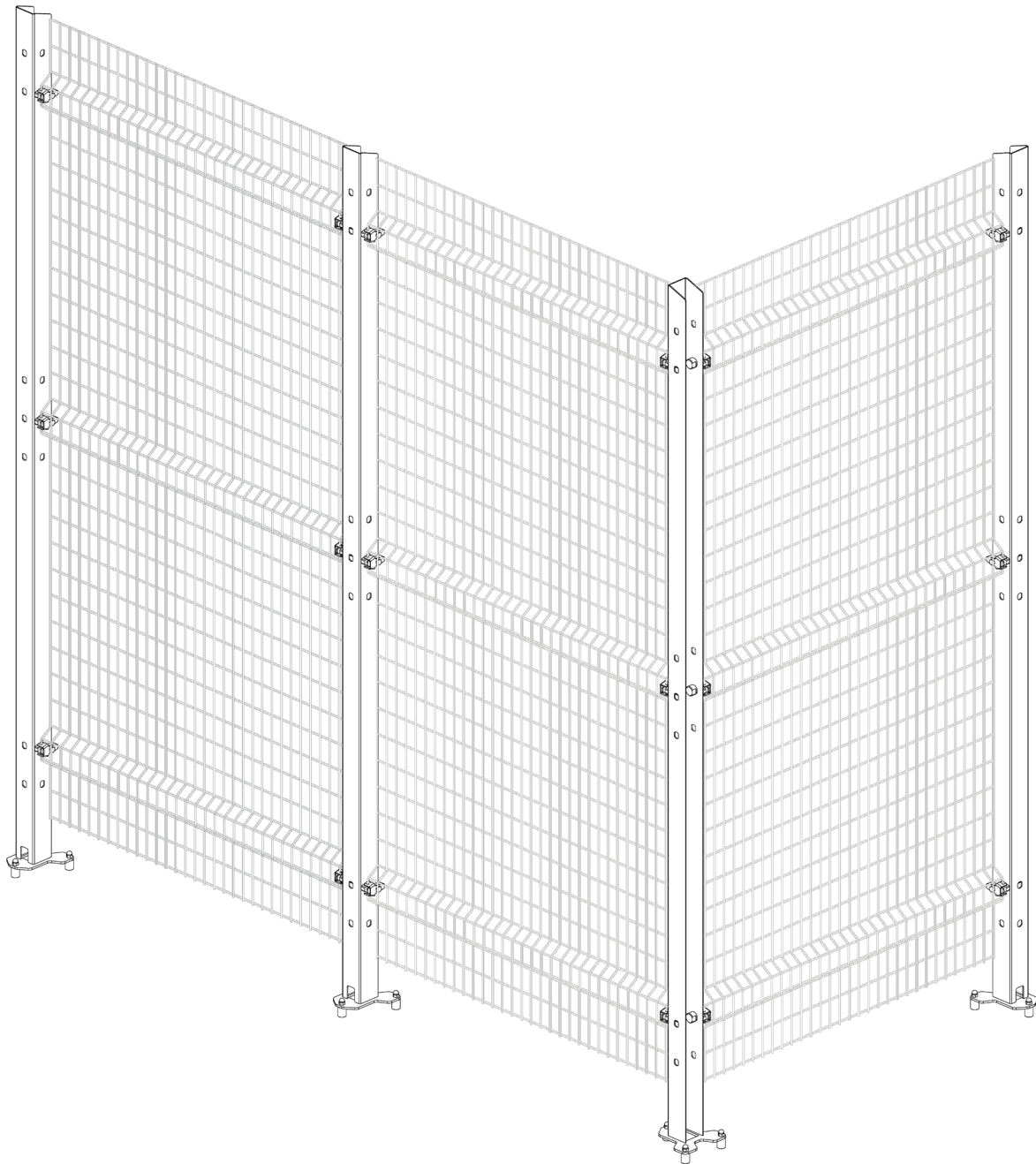
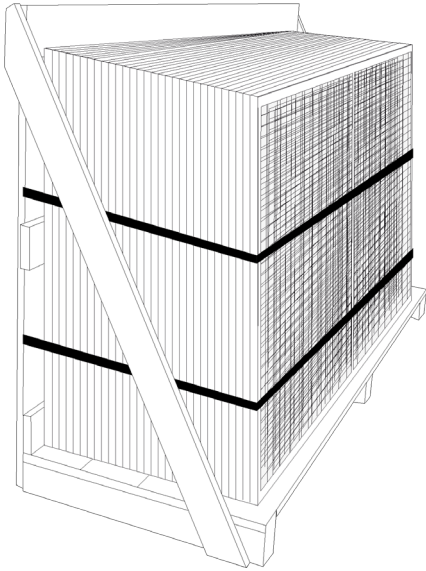


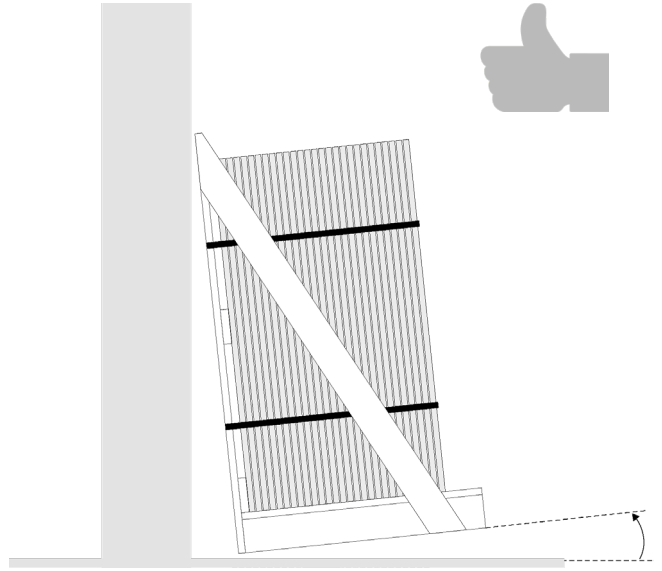
GENERAL ASSEMBLY



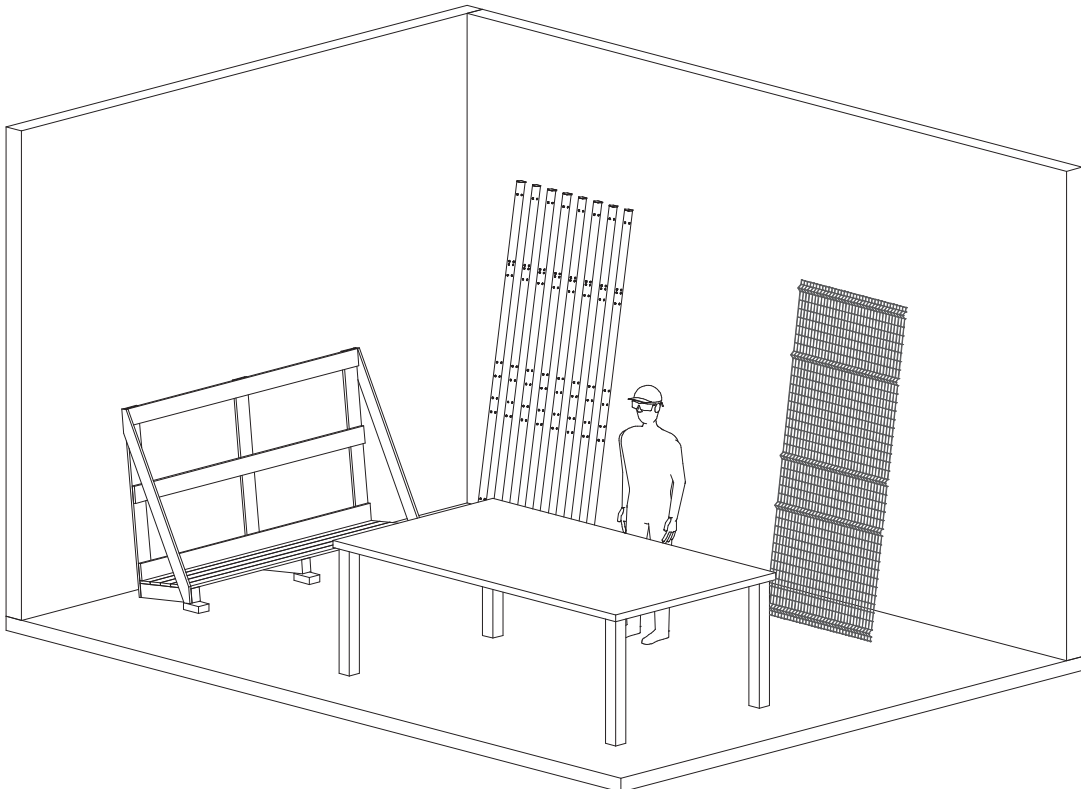
1

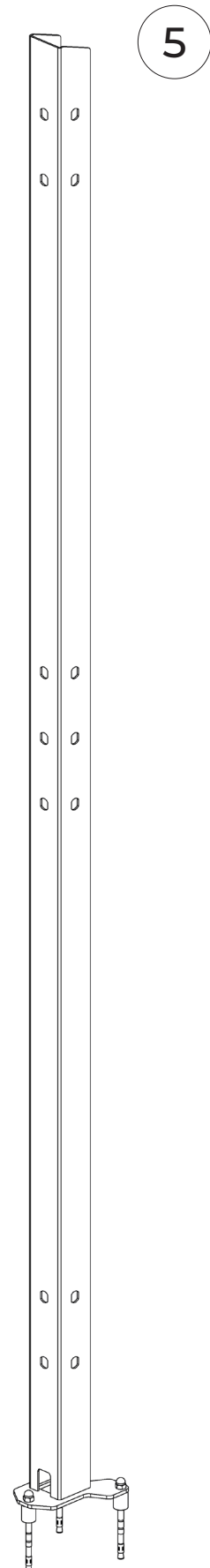
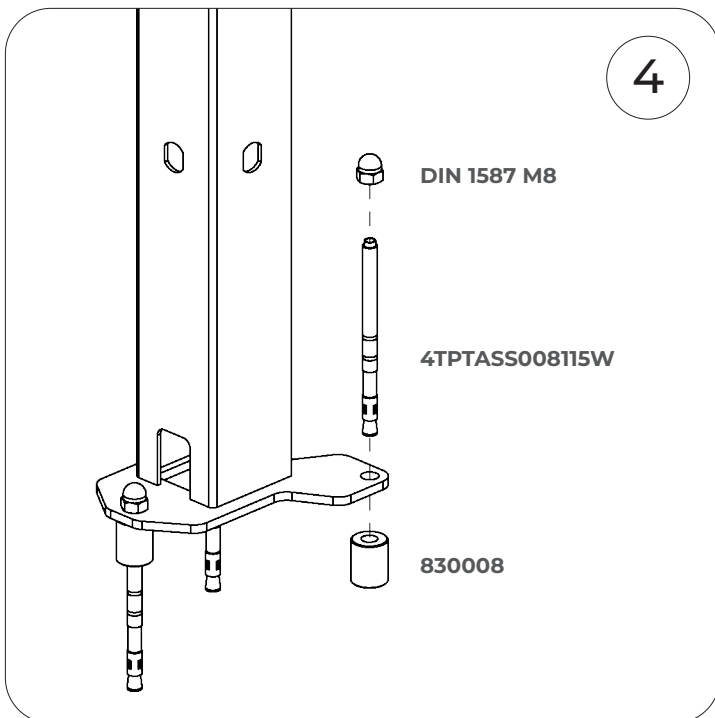


2

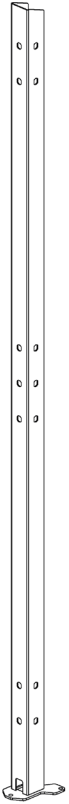


3



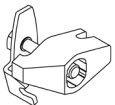


830001D
16400010



4KBLGAGGP X2
16901000

830017



x3

830021



x3

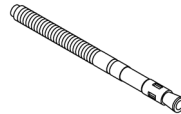
4KBLGFIXTP
16902000

DIN 1587 M8



x3

4TPTASS008115W



x3

ISO 4032 M8



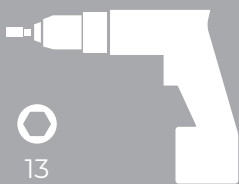
x9

830008



x3

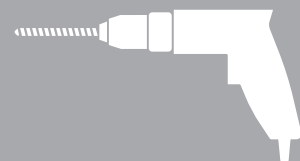
Tools



13

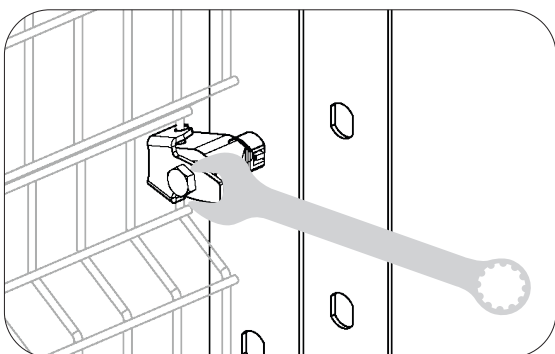
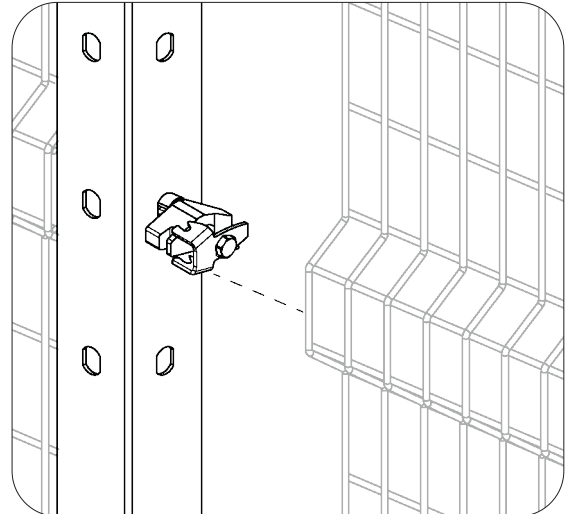
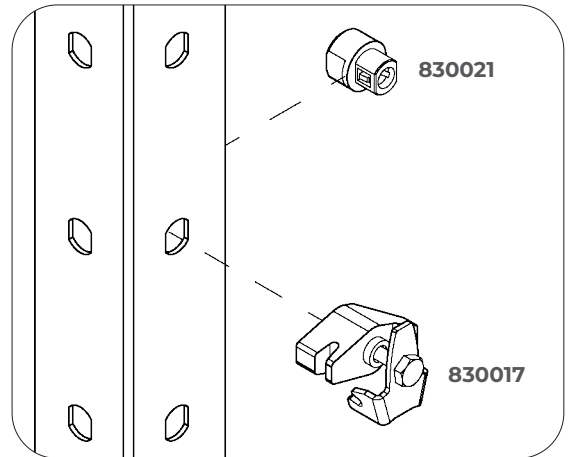
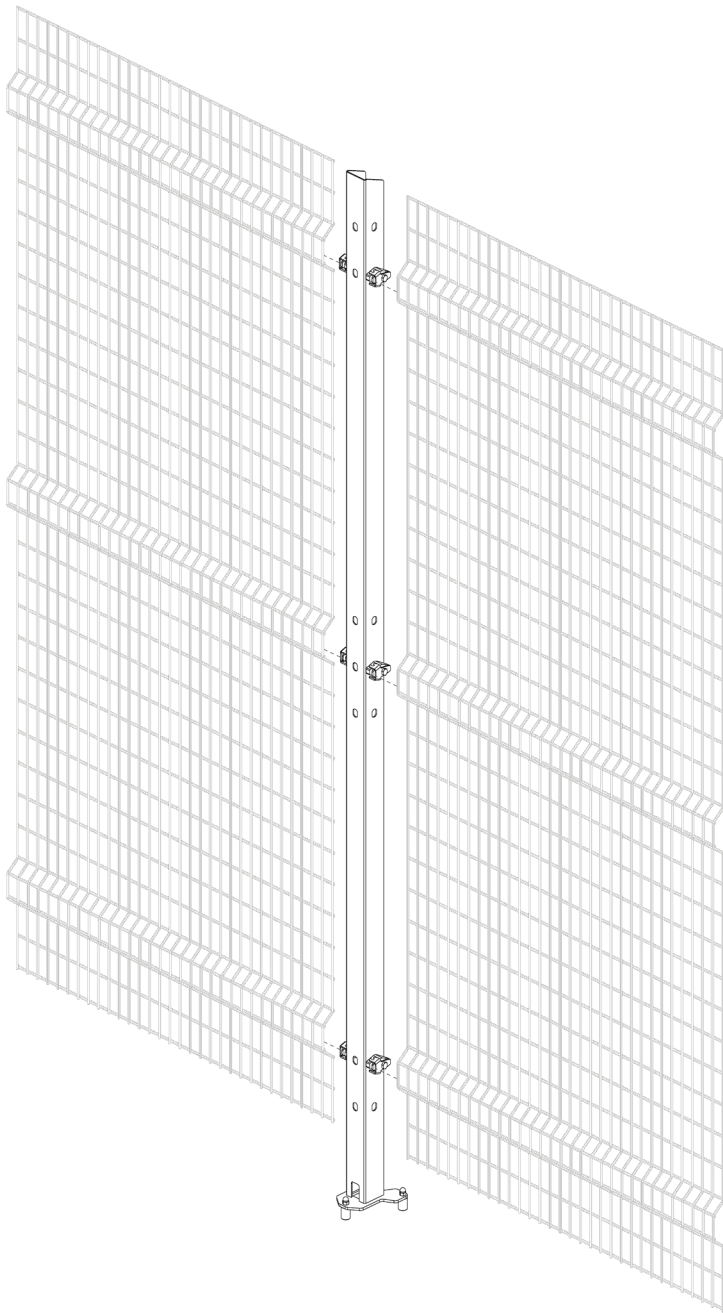


13

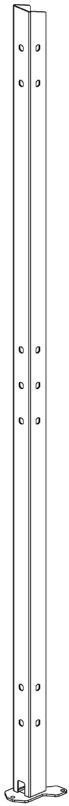


BlueGuard

GENERAL ASSEMBLY - LINEAR

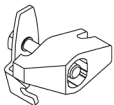


830001D
16400010



4KBLGAGGP X2
16901000

830017



x3

830021



x3

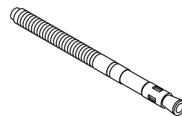
4KBLGFIXTP
16902000

DIN 1587 M8



x3

4TPTASS008115W



x3

ISO 4032 M8



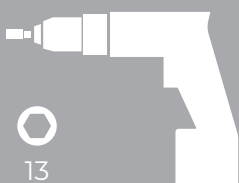
x9

830008



x3

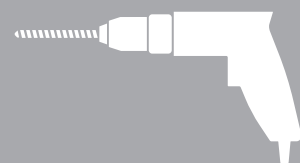
Tools



13

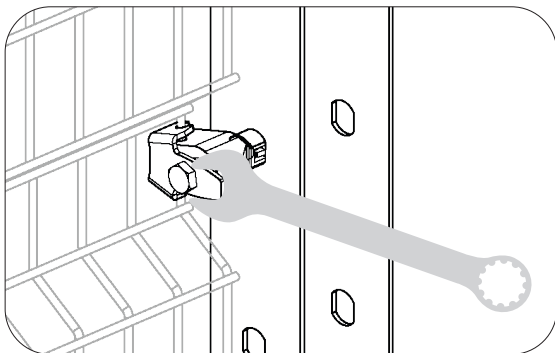
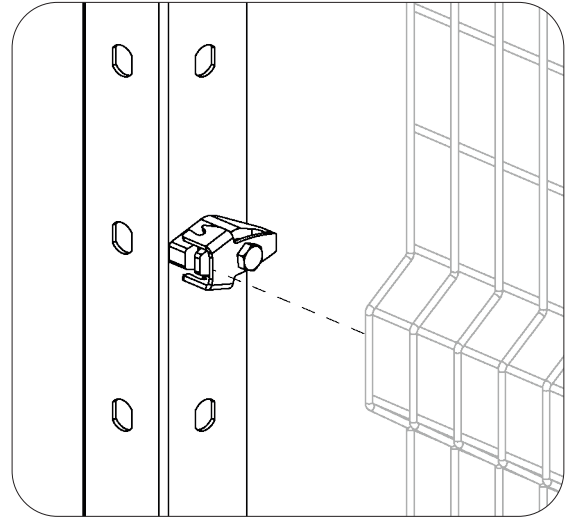
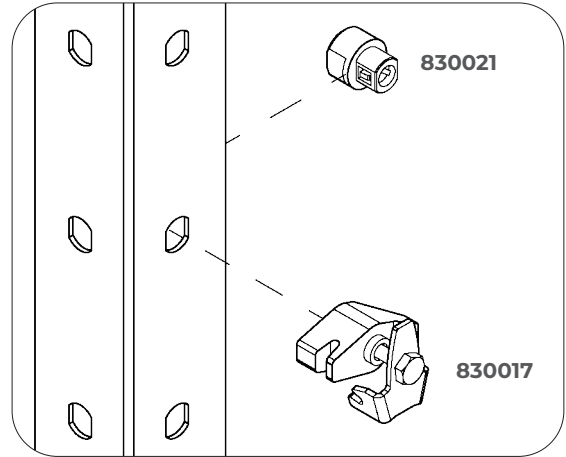
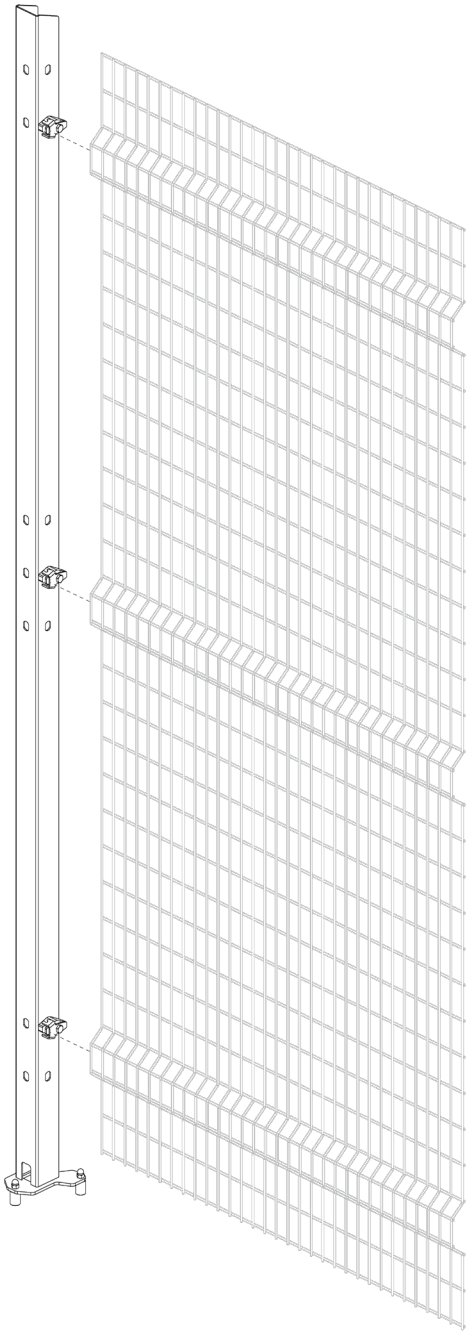


13

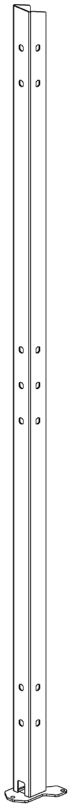


BlueGuard

GENERAL ASSEMBLY - TERMINAL

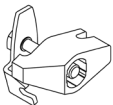


830001D
16400010



4KBLGAGGP X2
16901000

830017



x3

830021



x3

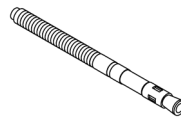
4KBLGFIXTP
16902000

DIN 1587 M8



x3

4TPTASS008115W



x3

ISO 4032 M8



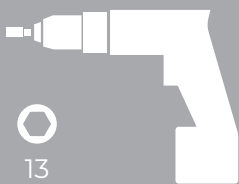
x9

830008



x3

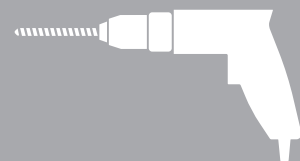
Tools



13



13



BlueGuard

GENERAL ASSEMBLY - ANGULAR

