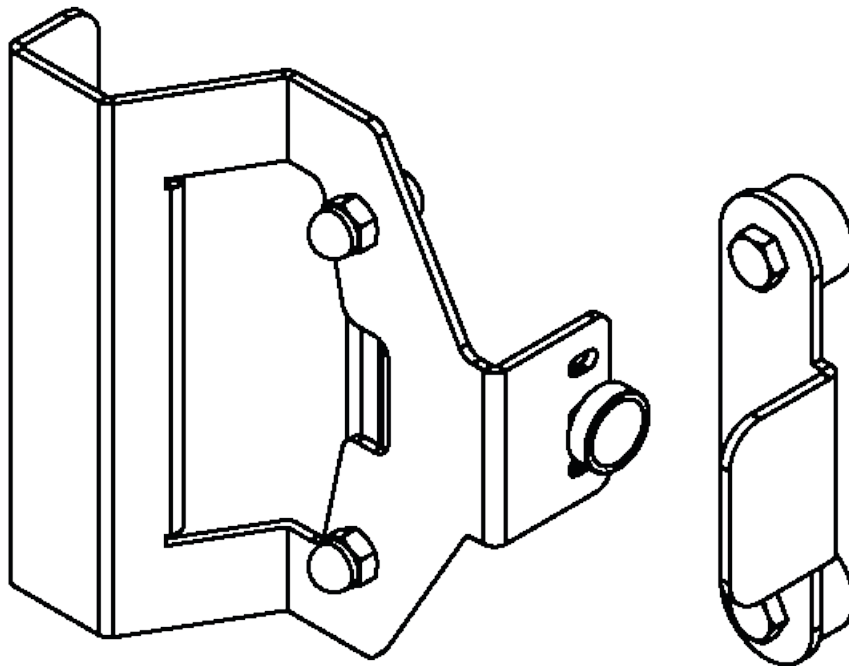
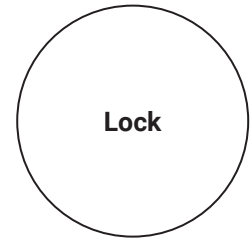


# BlueGuard

hygienic fencing

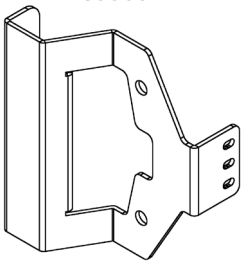
MAGNET LOCK FOR SLIDING DOOR



## 4SKBLGLKOSUS

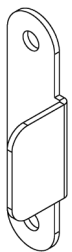
16502050

830054



x 1

830055



x 1

### 4KBLGVITLKO

7MA385NE0220613

ISO 4032 M5

DIN 1587 M8

DIN 1587 M5



x 1



x 2



x 2



x 2

### 4KBLGAGGAC

830021

830026A

ISO 4017 M8 X 25

ISO 7093 Ø8 Ø24



x 2



x 2

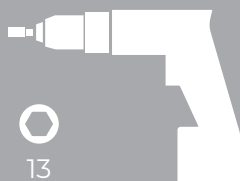


x 2



x 2

## Tools



13



13

# BlueGuard

MAGNET LOCK FOR DOUBLE SLIDING DOOR

