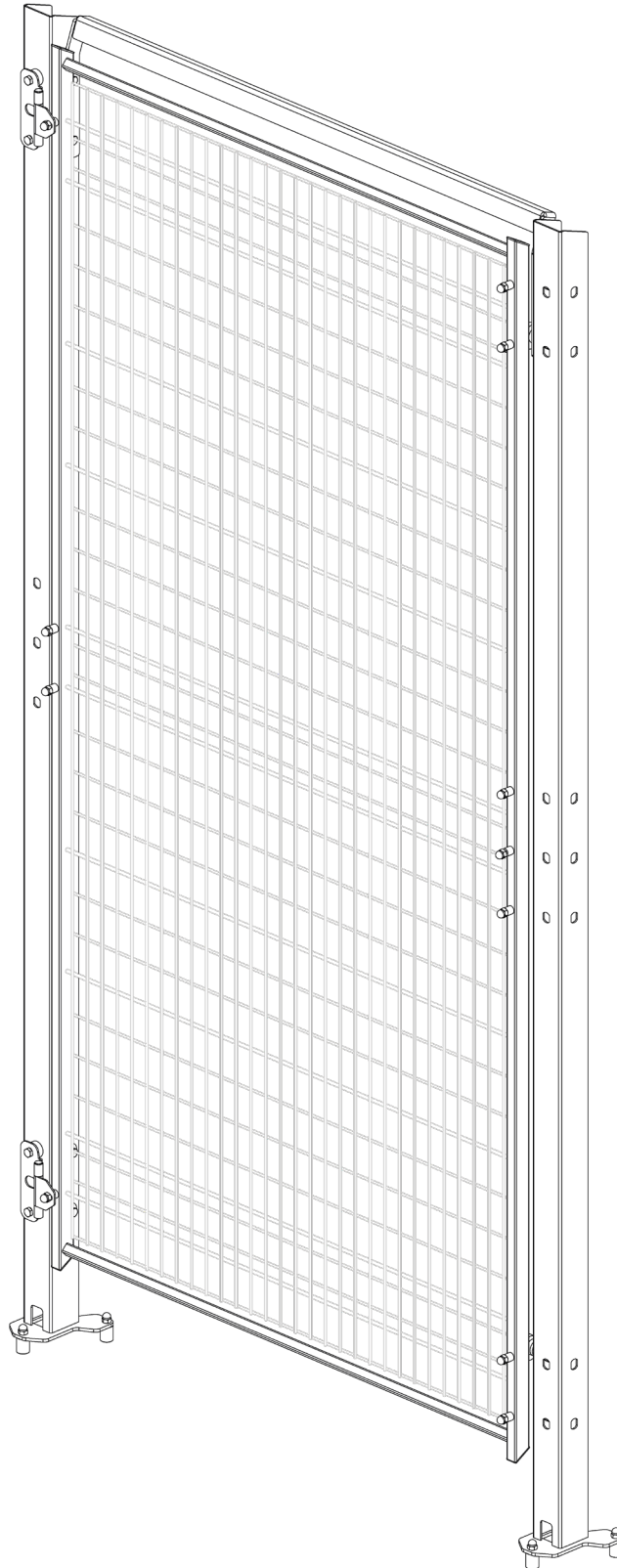
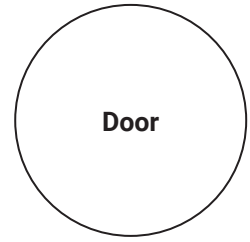


BlueGuard

hygienic fencing

SINGLE HINGED DOOR

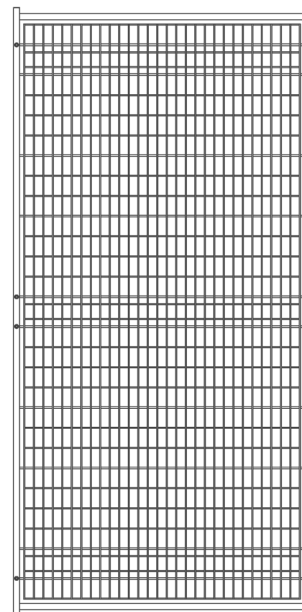


830232 / 830233
16501015 / 16501025



x 1

830101 / 830043B
16501010 / 16501020

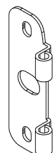


x 1

4SKBLGHIS

16501040

830042C-F01



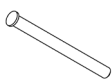
x 2

830042C-F02



x 2

830042C-F03



x 2

DIN 1587 M8



x 11

4KBLGAGGAC X4

830021



x 8

830026A



x 8

ISO 4017 M8 X 25



x 8

ISO 7093 Ø8 Ø24



x 8

4KBLGBATHIS

830021



x 1

830026A



x 1

830913



x 2

830914



x 1

ISO 4017 M8 X 45



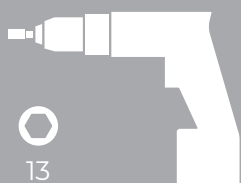
x 2

ISO 7093 Ø8 Ø24



x 2

Tools



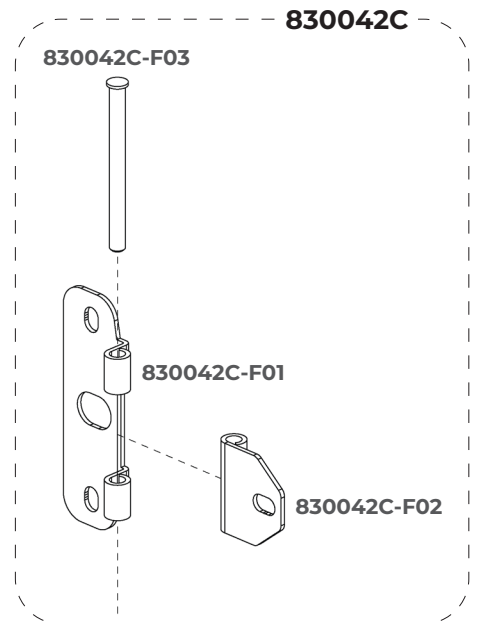
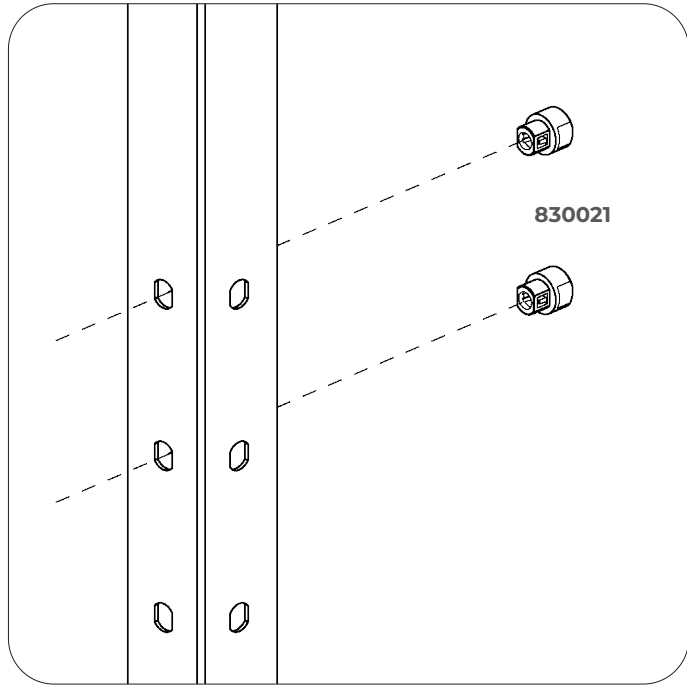
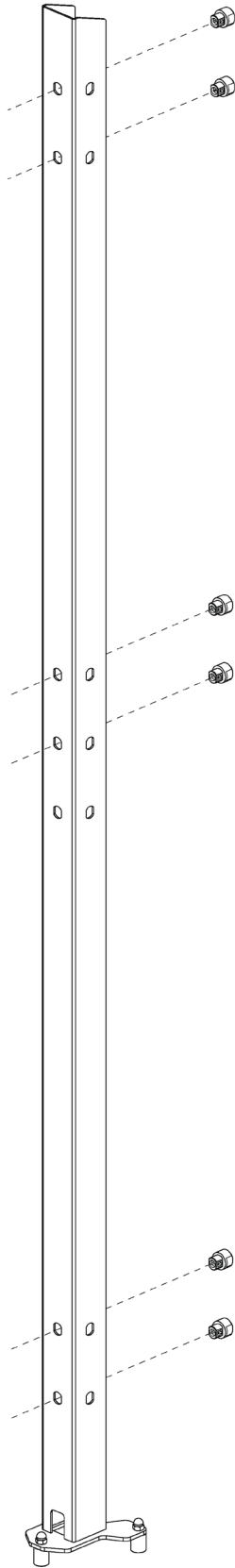
13



13

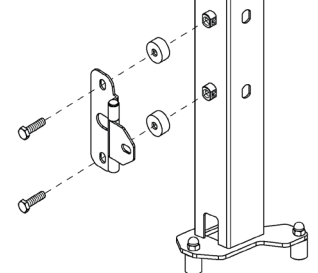
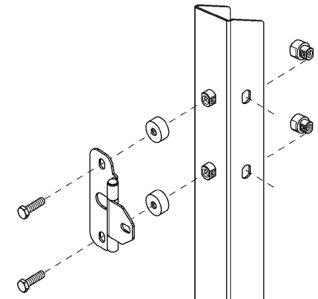
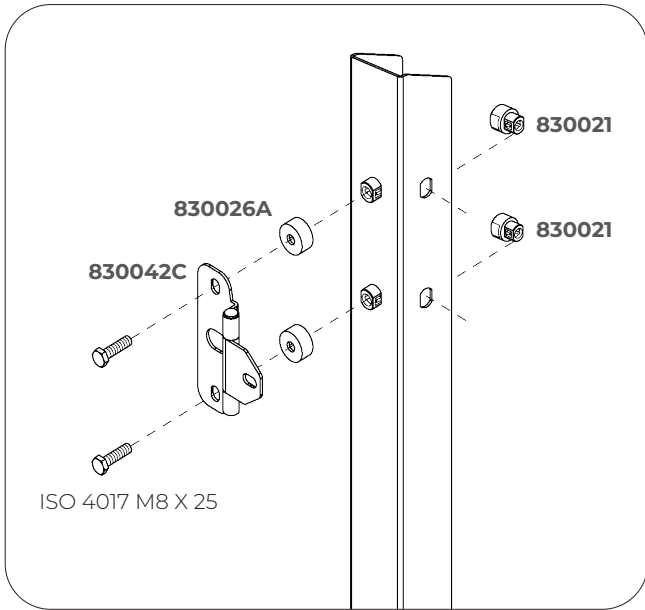
BlueGuard

SINGLE HINGED DOOR



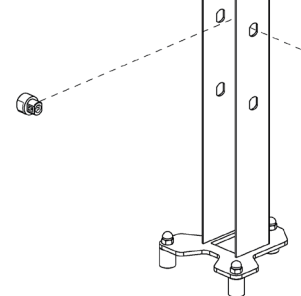
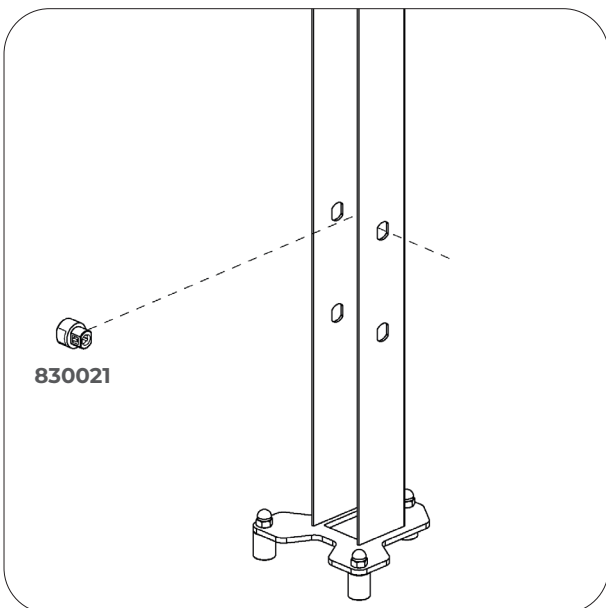
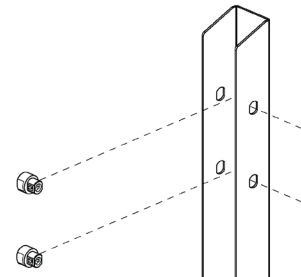
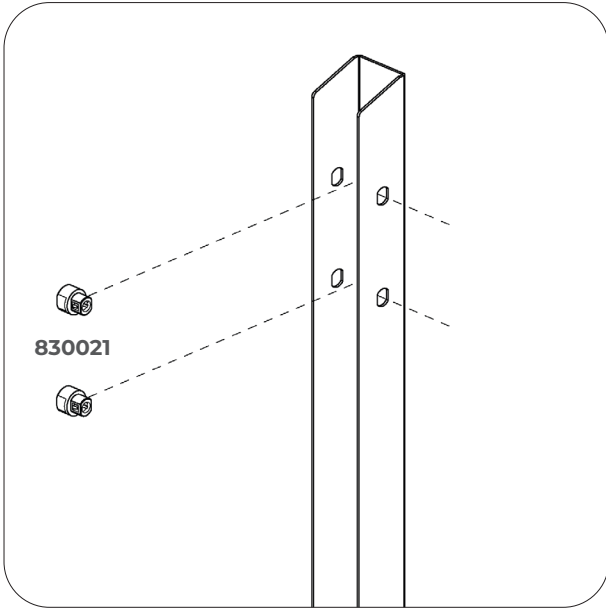
BlueGuard

SINGLE HINGED DOOR



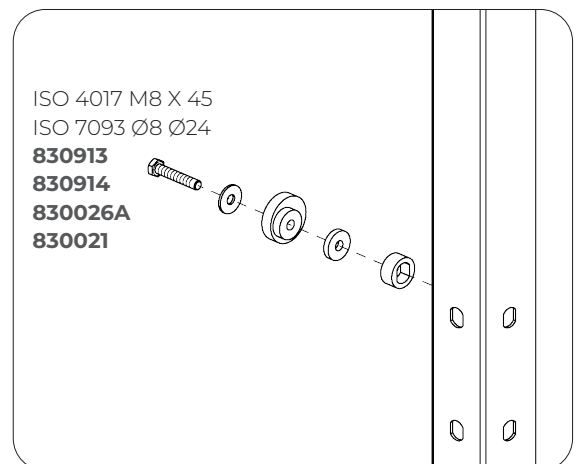
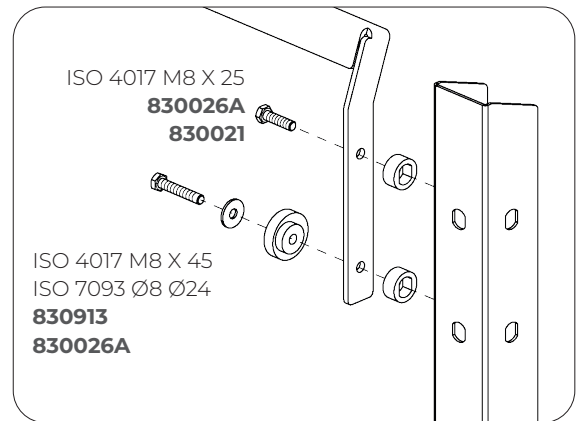
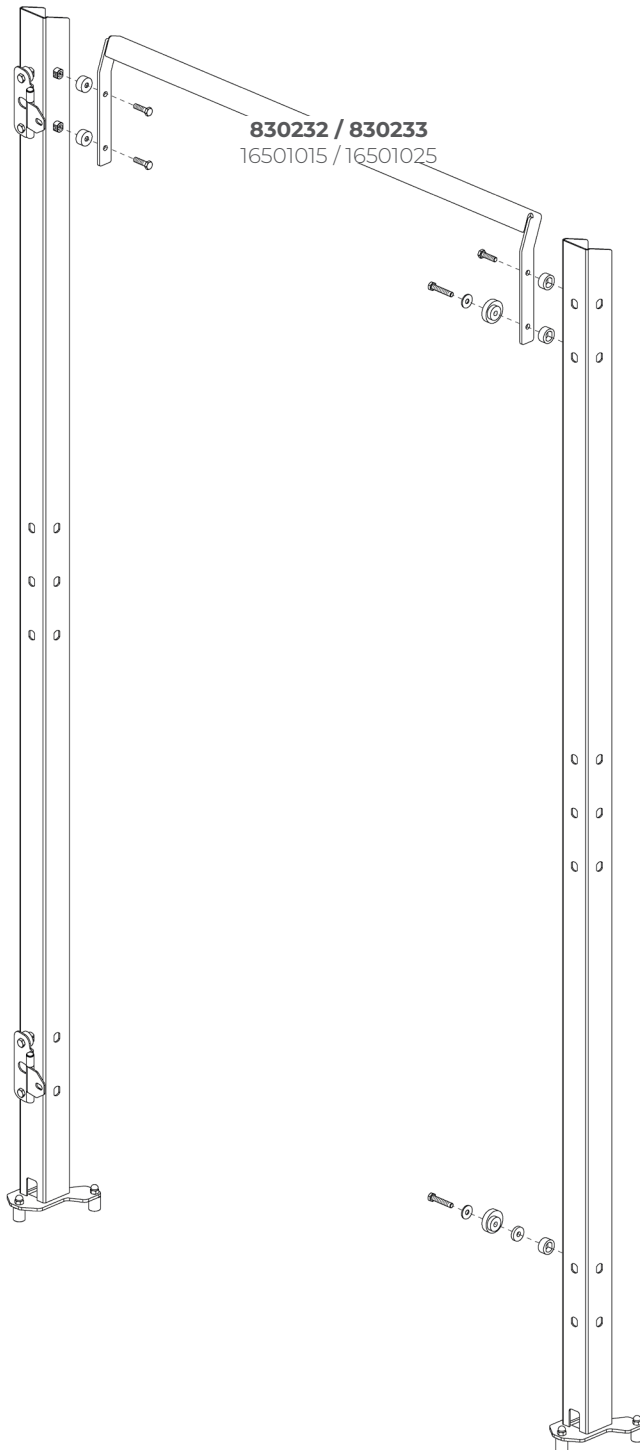
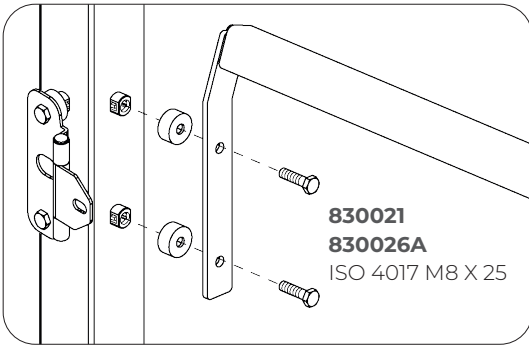
BlueGuard

SINGLE HINGED DOOR



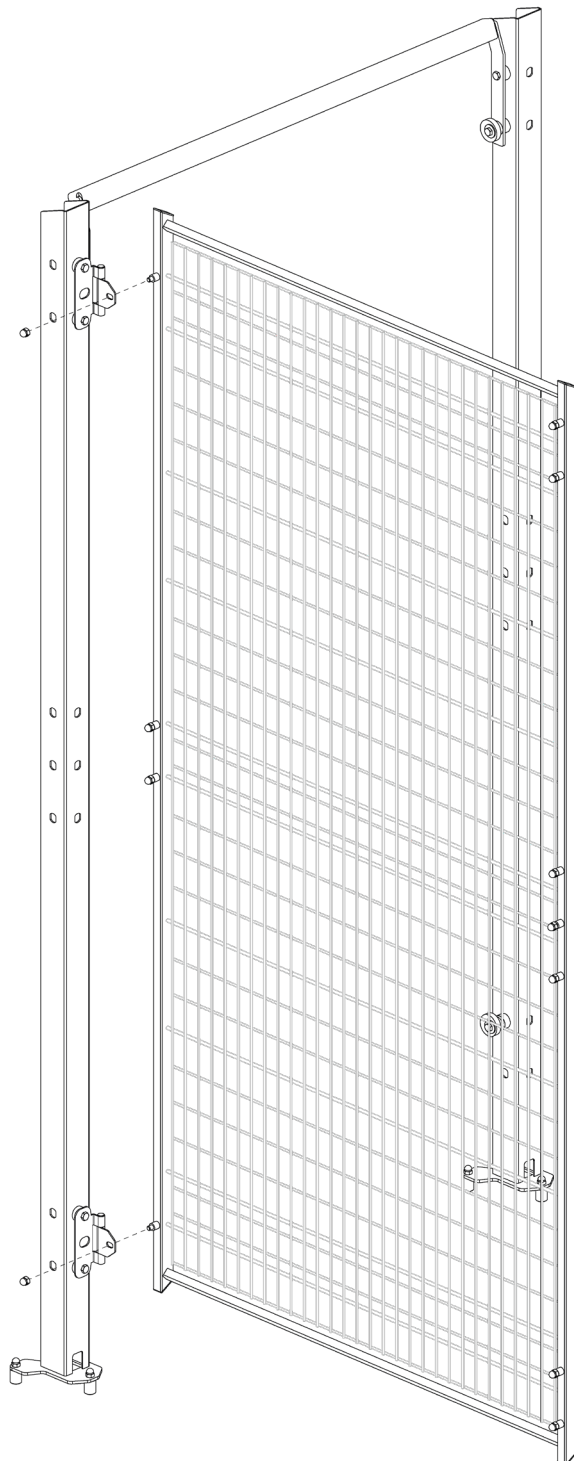
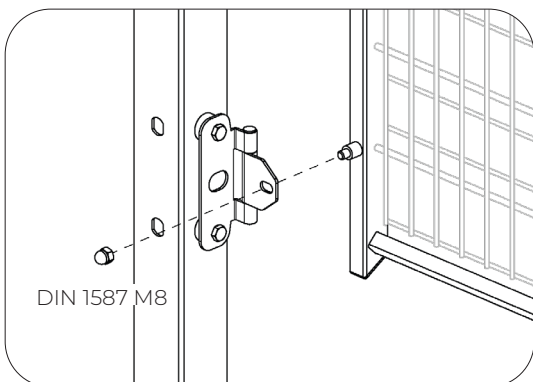
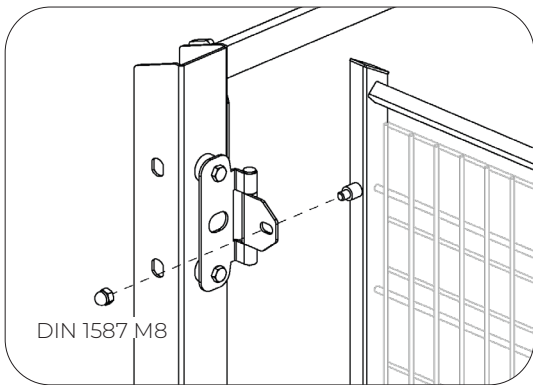
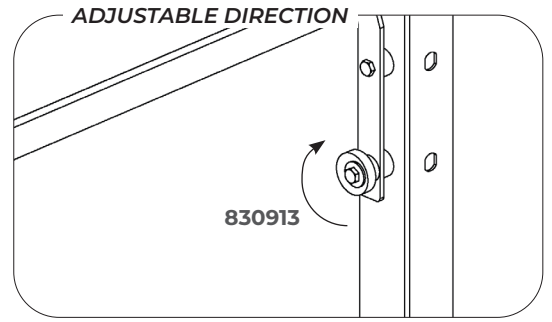
BlueGuard

SINGLE HINGED DOOR



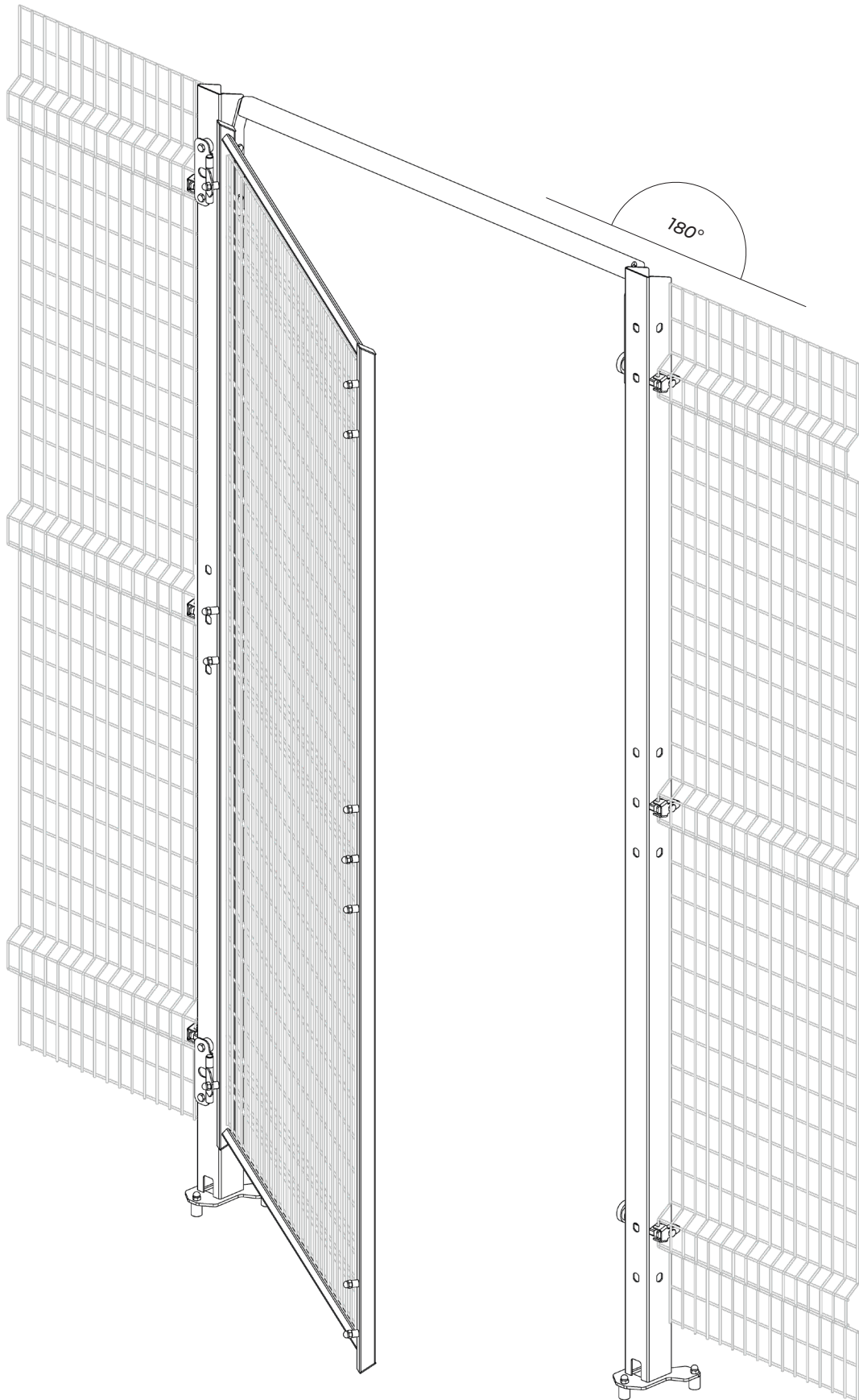
BlueGuard

SINGLE HINGED DOOR



BlueGuard

SINGLE HINGED DOOR - LINEAR ASSEMBLY



BlueGuard

SINGLE HINGED DOOR - ANGULAR 90° ASSEMBLY

