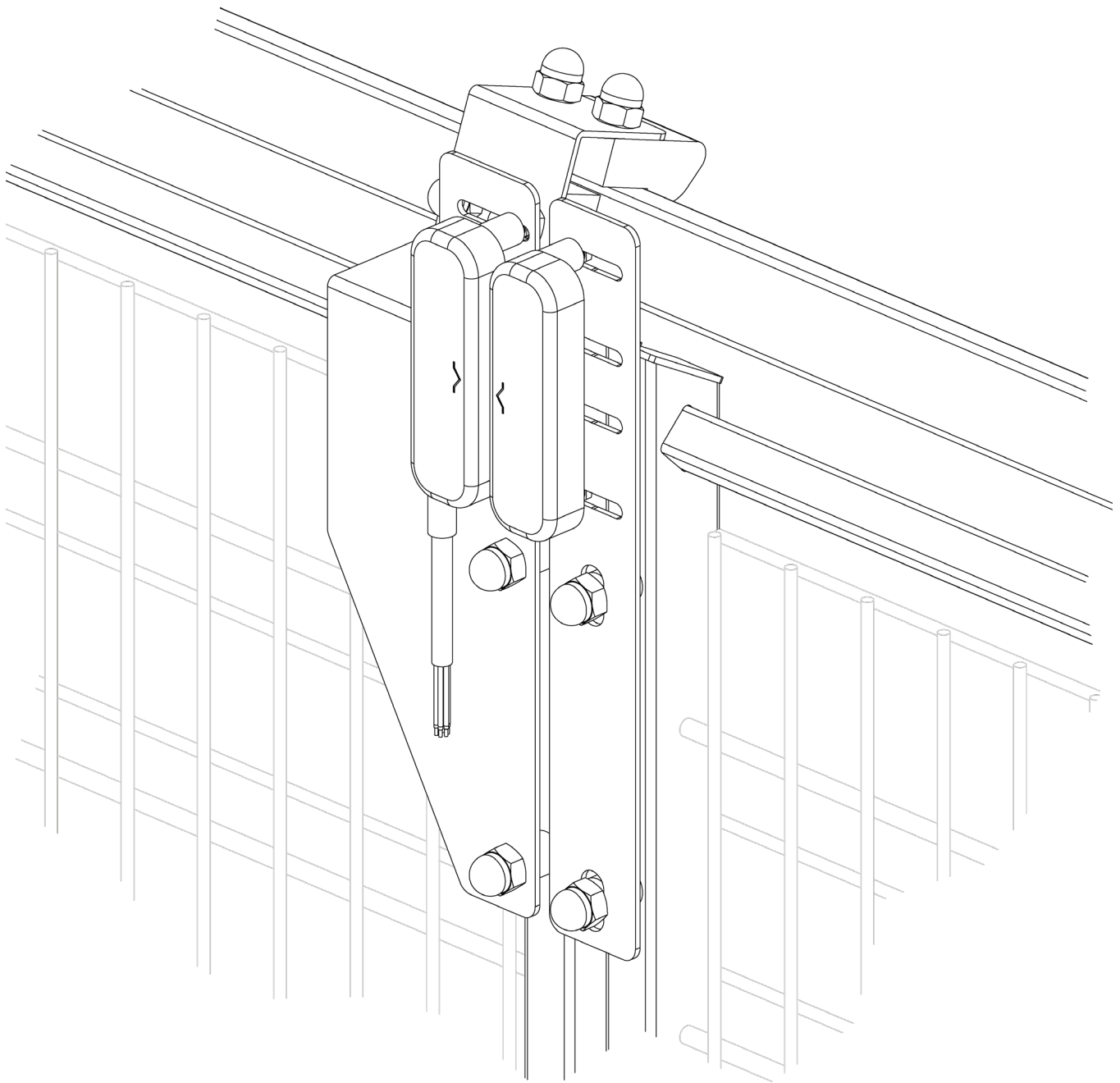
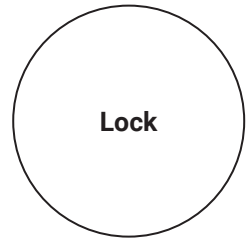


# BlueGuard

hygienic fencing

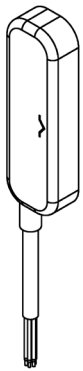
SWITCH BNS FOR DOUBLE HINGED DOOR



# BlueGuard

SWITCH BNS FOR DOUBLE HINGED DOOR

**BNS 40S-12Z-C**



x 1

**BPS 40S-1-C**



x 1

## **4SKBLGMSBHIC1**

16600030

**830074**



x 1

**830203**



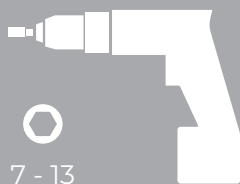
x 4

ISO 4017 M4 X 20



x 4

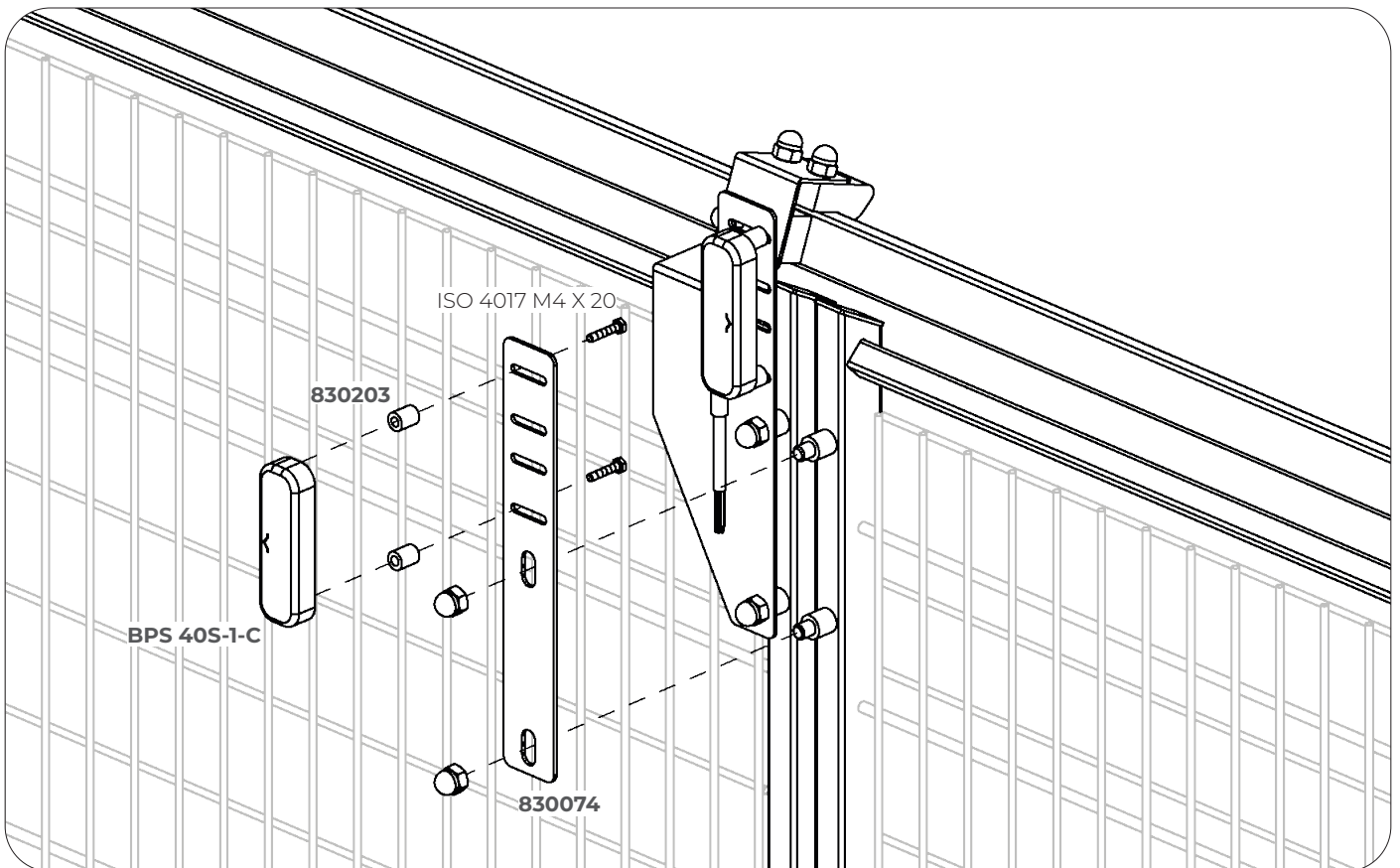
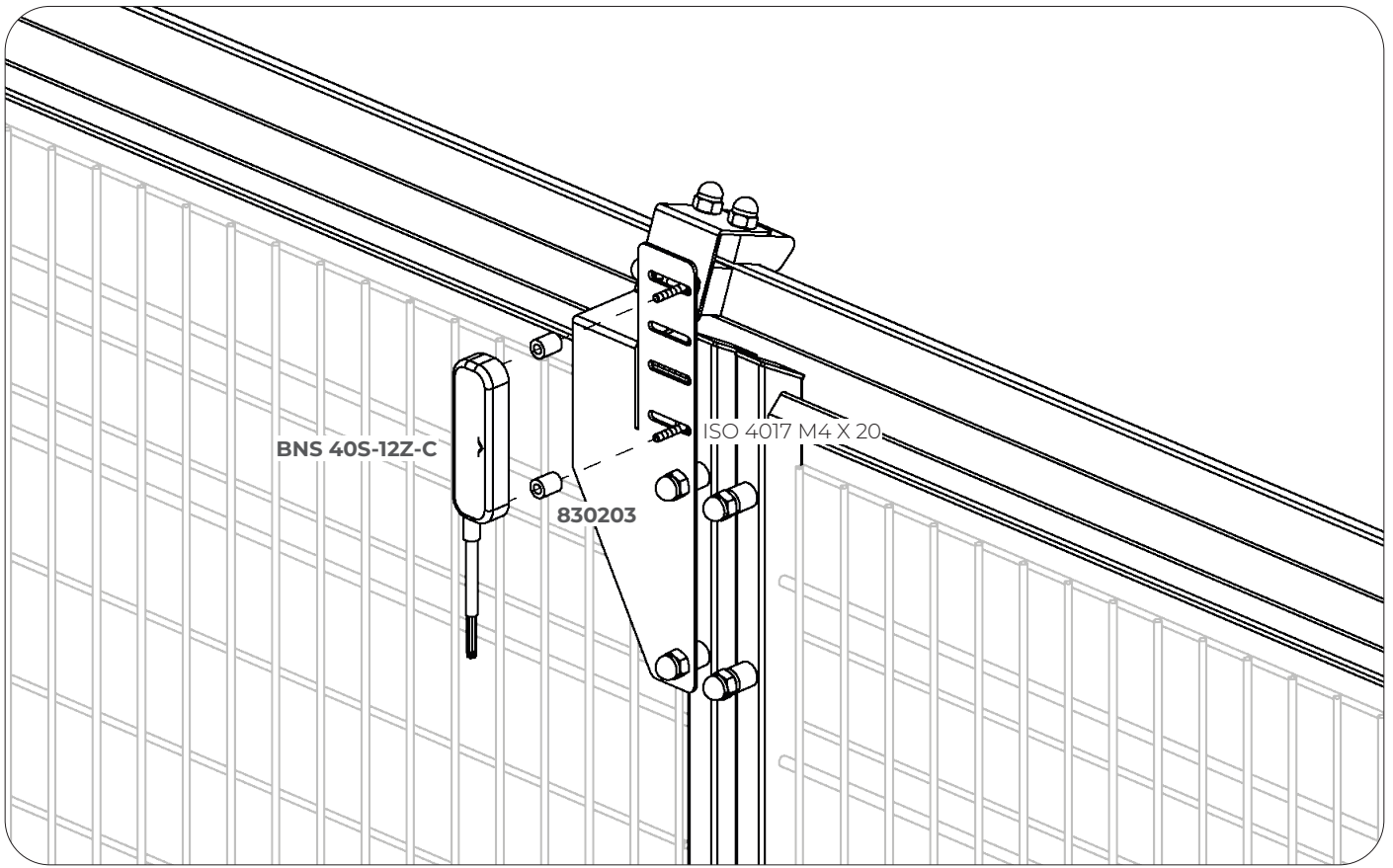
## **Tools**



7 - 13



7 - 13



A large grid of graph paper for taking notes. The grid consists of 20 columns and 30 rows of small squares. The grid is enclosed in a rounded rectangular border.