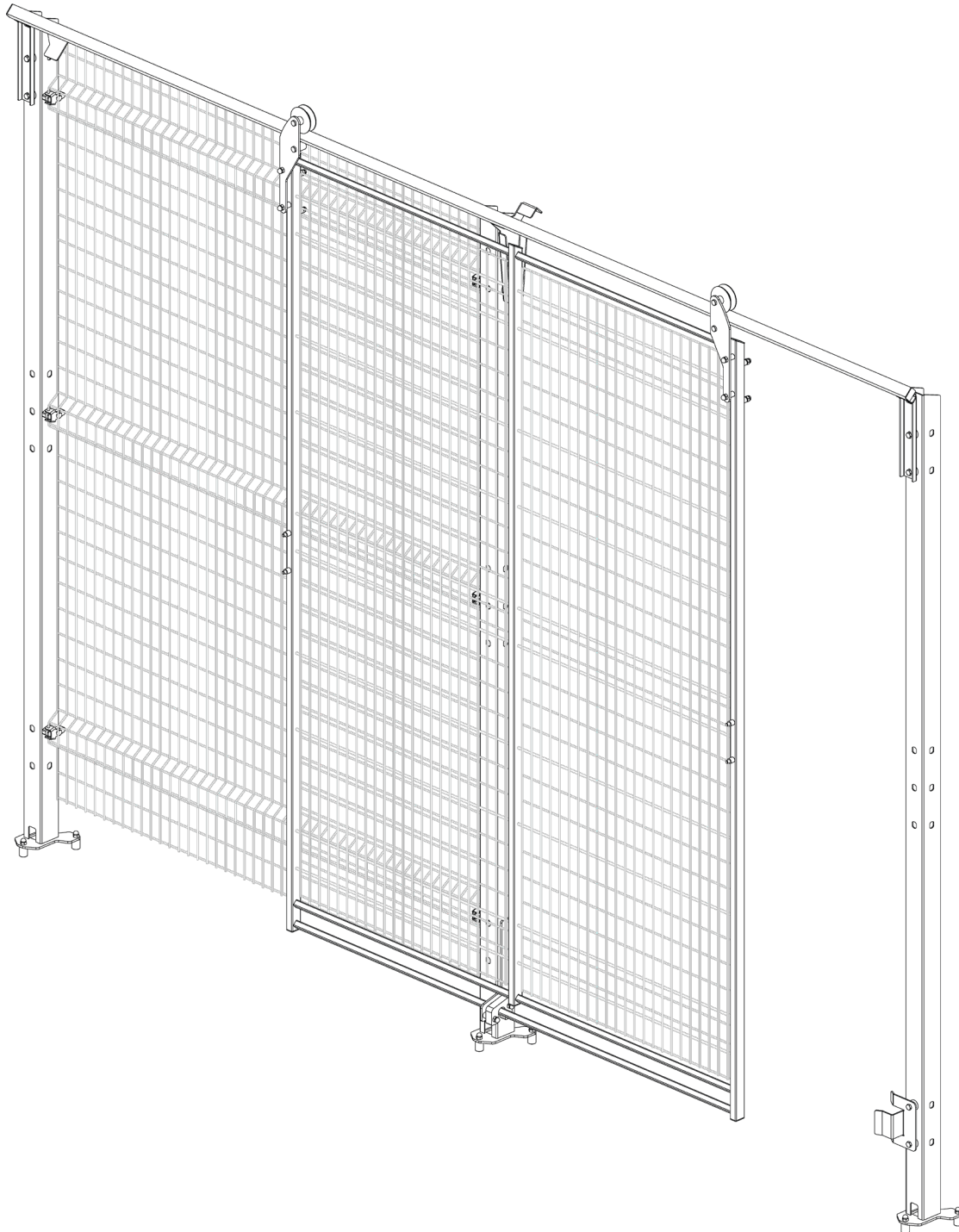
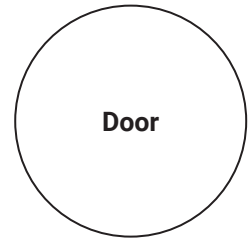


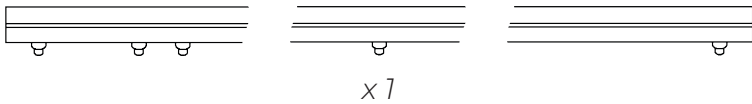
BlueGuard

hygienic fencing

UPPER GUIDE SLIDING DOOR

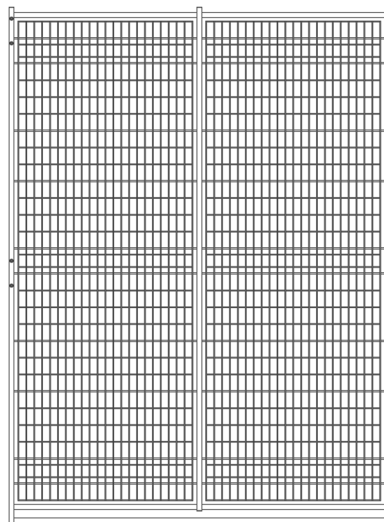


830052B
16502025



x 1

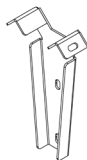
830051A
16502020



x 1

4SKBLGSUS
16502040

830058



x 1

830053A



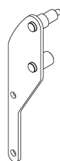
x 2

830061A



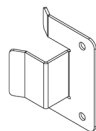
x 1

830056B



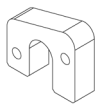
x 2

830066



x 1

830062A



x 1

830064A



x 1

830059A



x 2

830063



x 2

ISO 4017 M8 X 45



x 2

DIN 1587 M8



x 23

ISO 7093 Ø8 Ø24



x 2

4KBGLAGGAC x5

830021



x 10

830026A



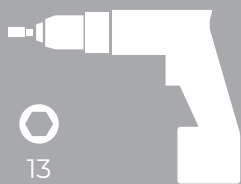
x 10

ISO 4017 M8 X 25



x 10

Tools



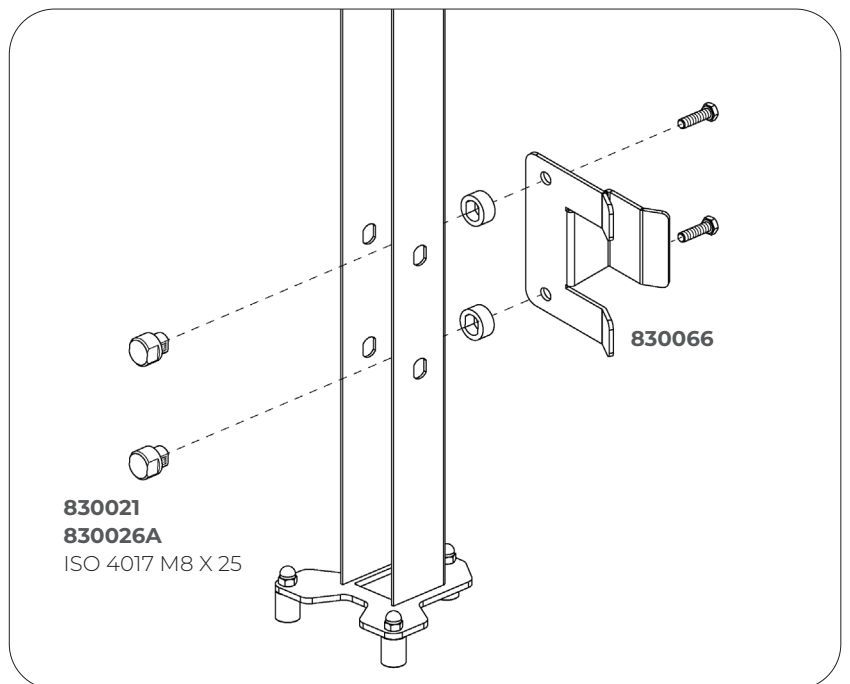
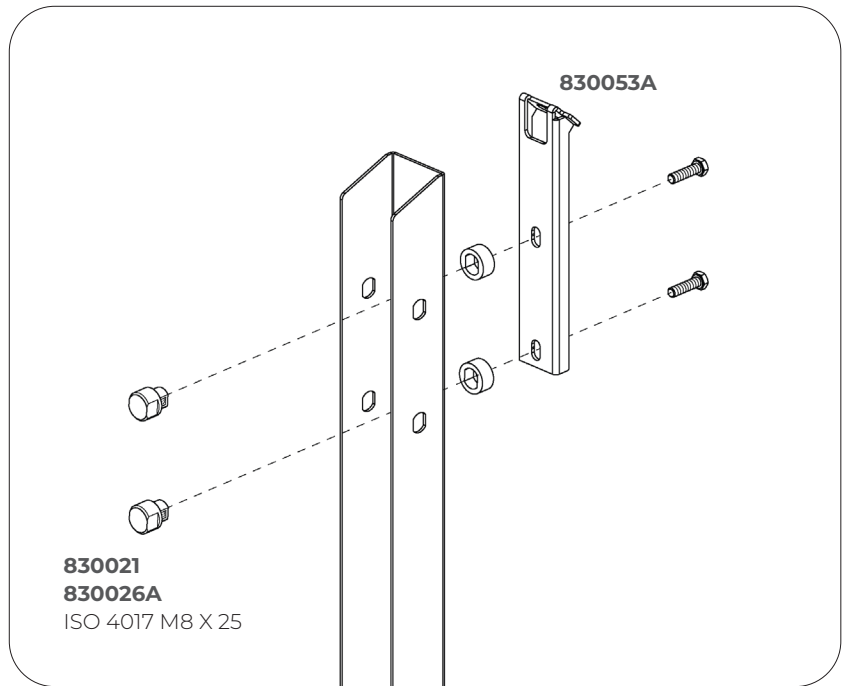
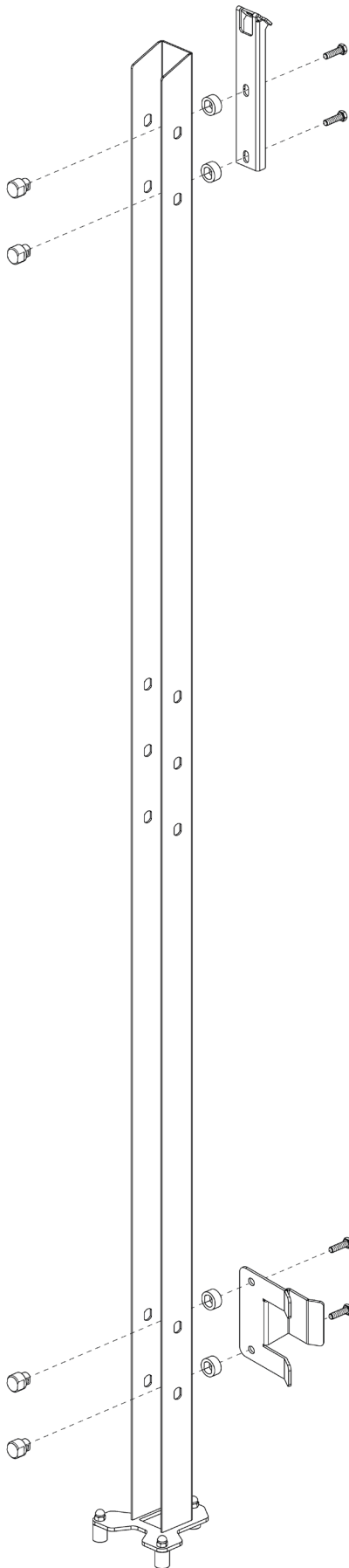
13



13

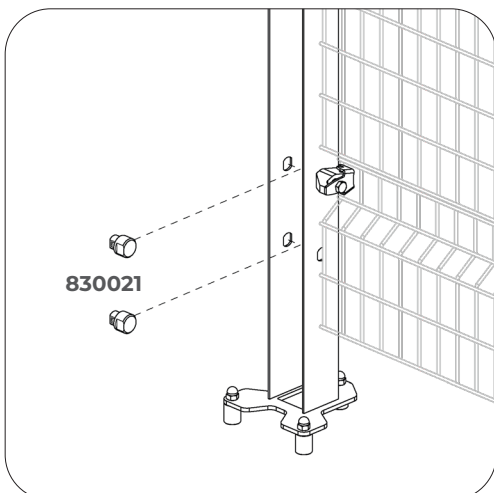
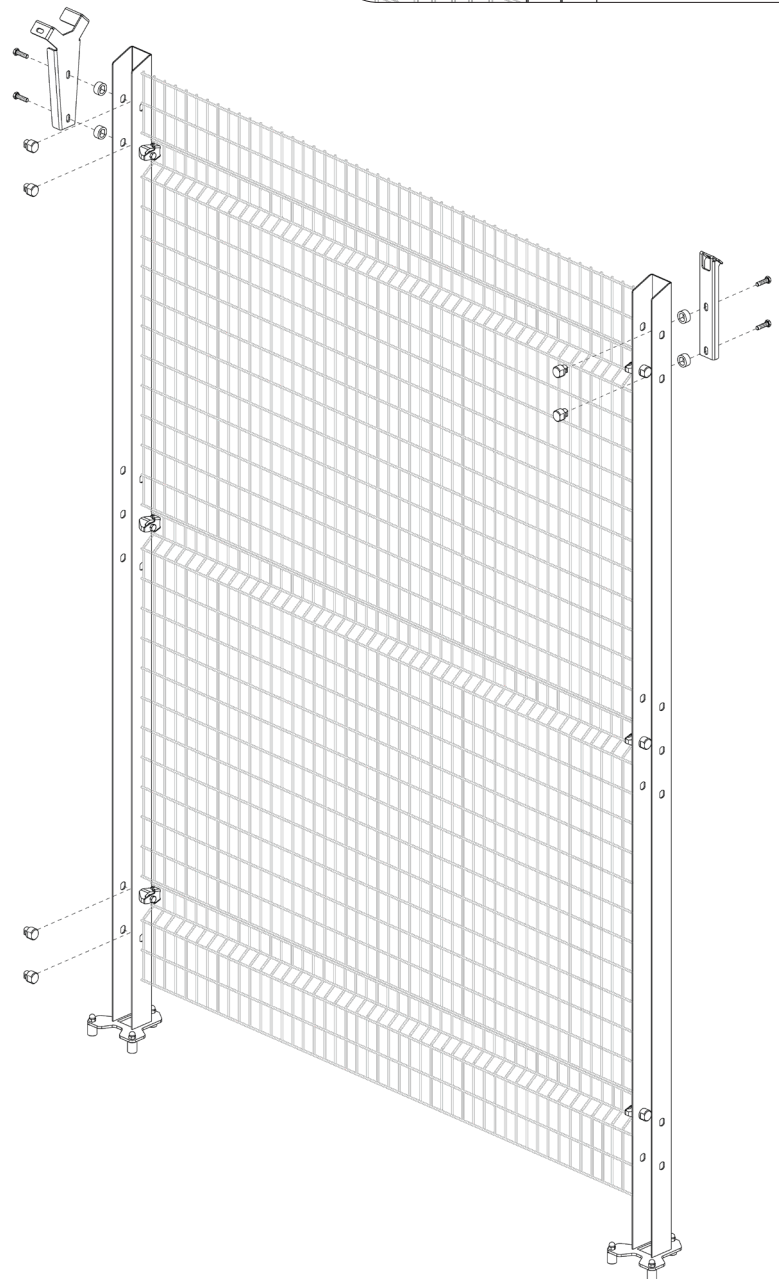
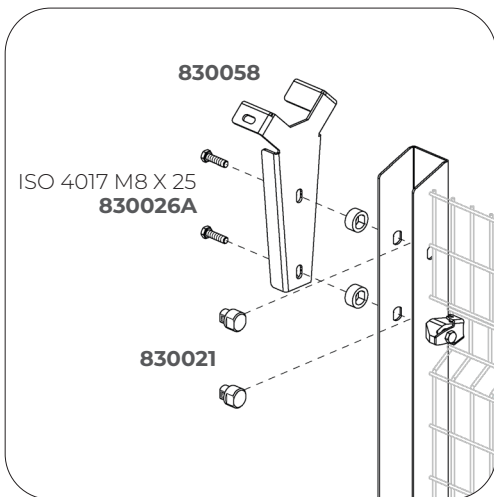
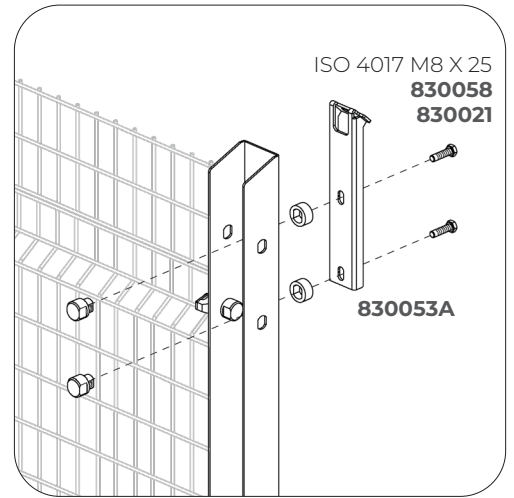
BlueGuard

UPPER GUIDE SLIDING DOOR



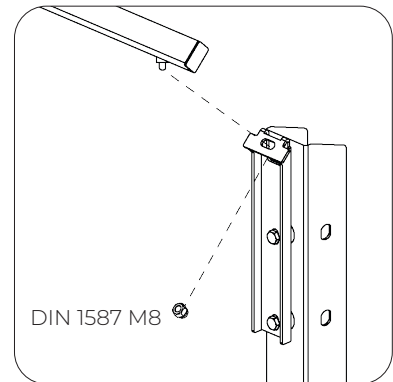
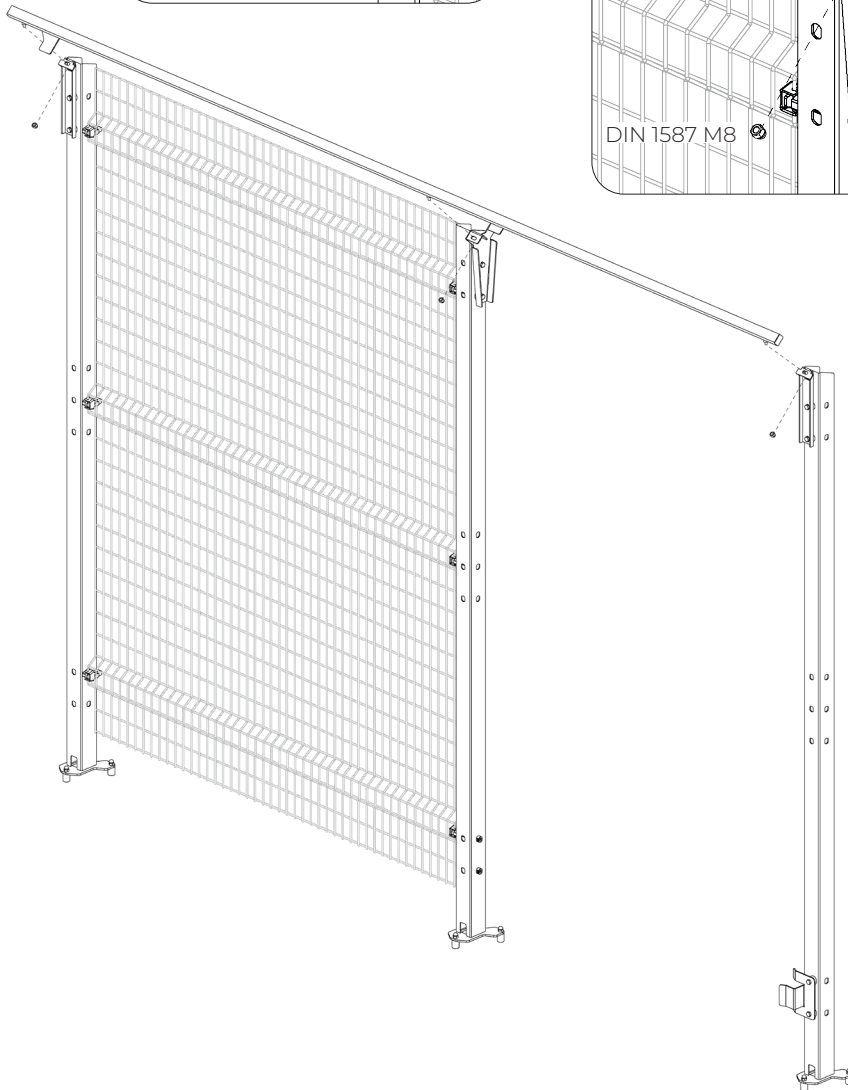
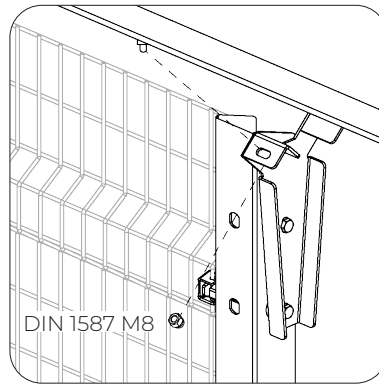
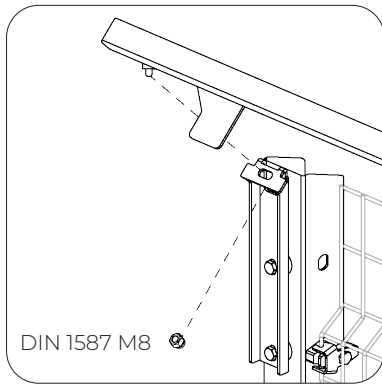
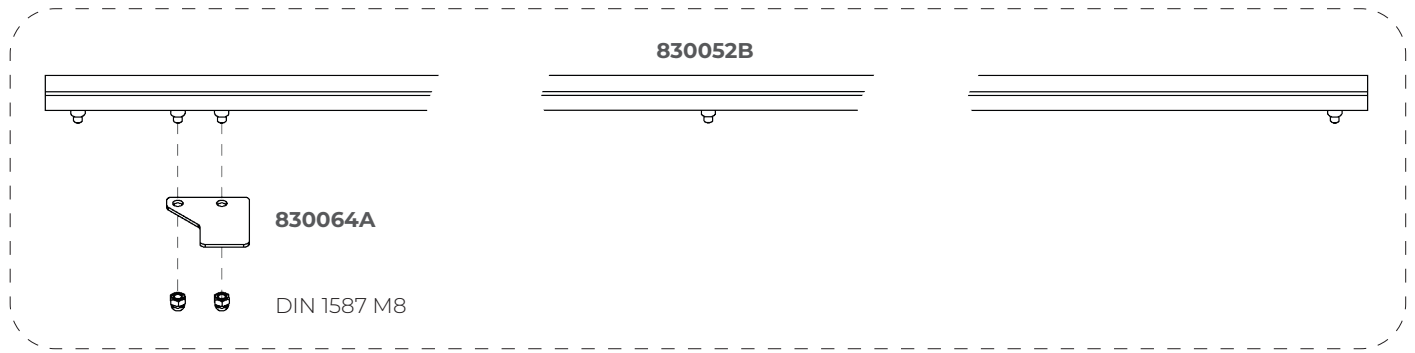
BlueGuard

UPPER GUIDE SLIDING DOOR



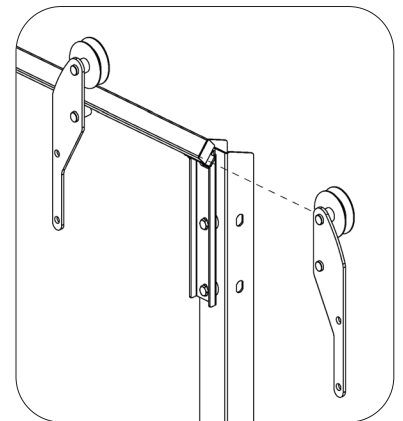
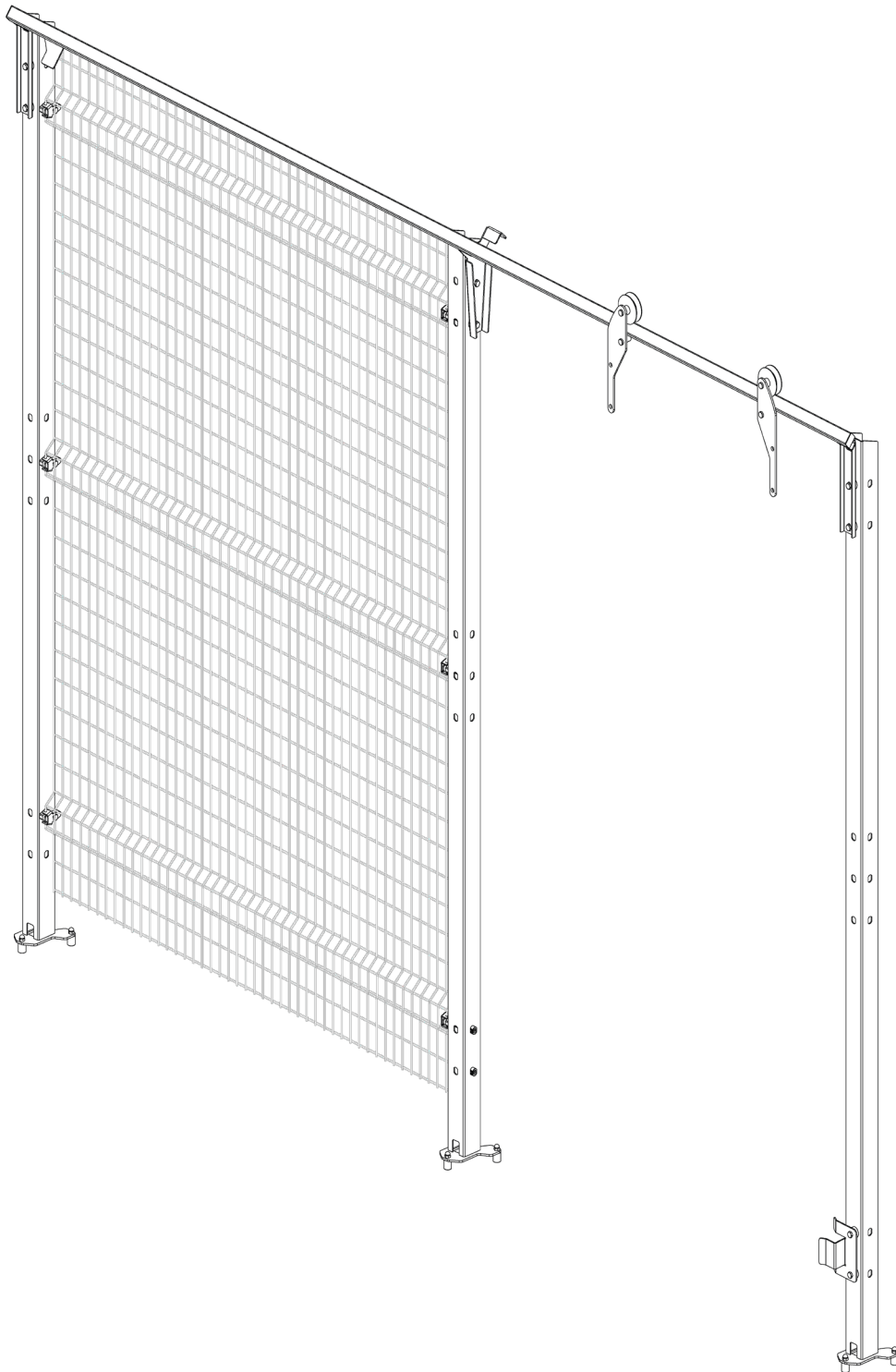
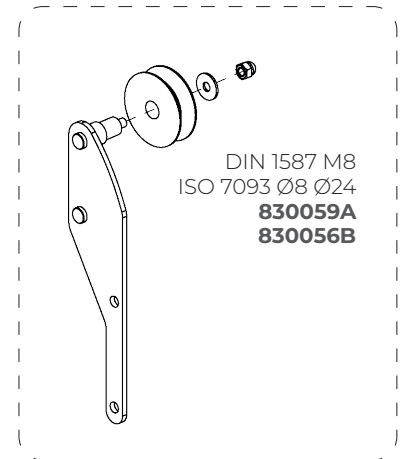
BlueGuard

UPPER GUIDE SLIDING DOOR



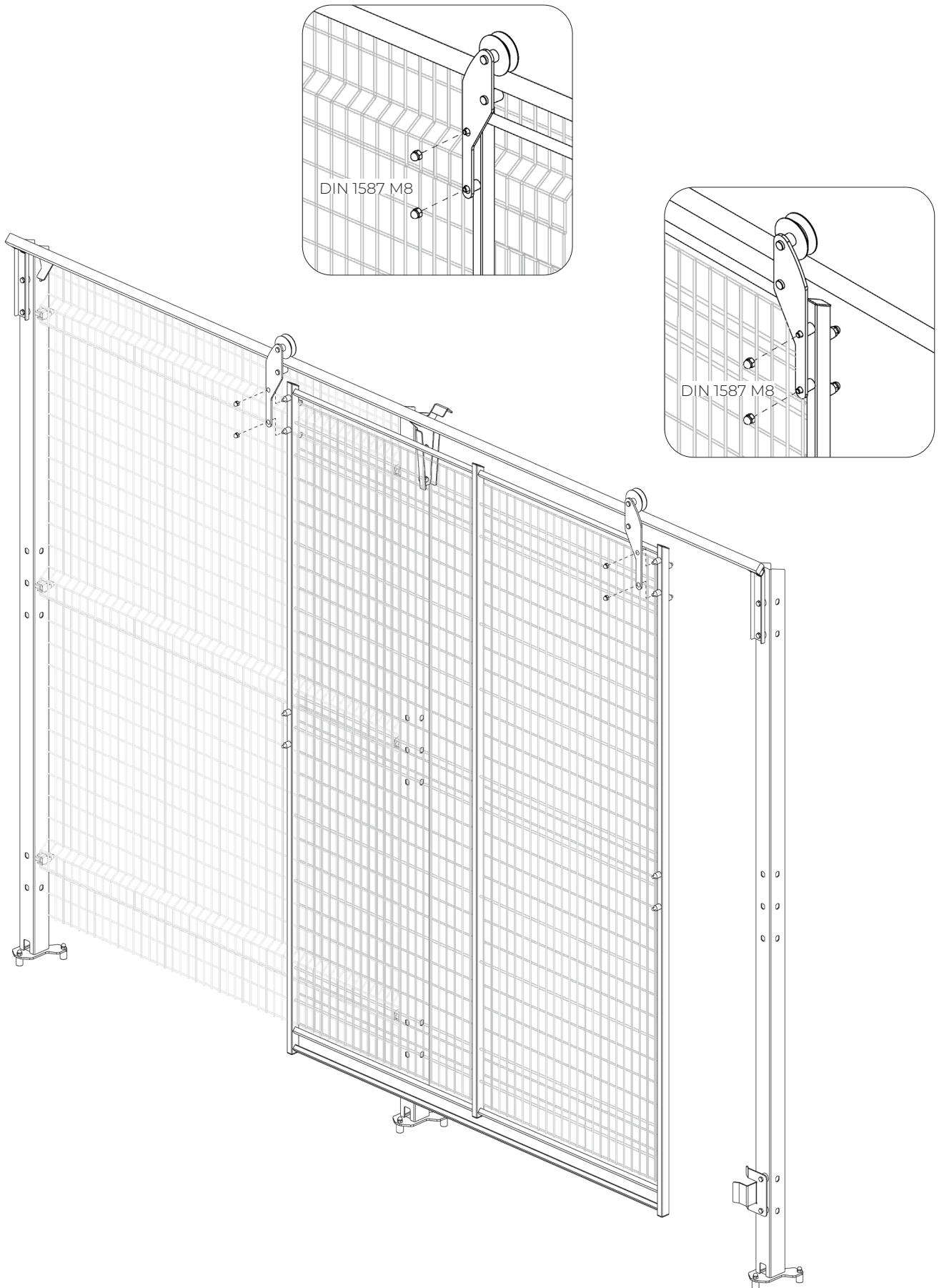
BlueGuard

UPPER GUIDE SLIDING DOOR



BlueGuard

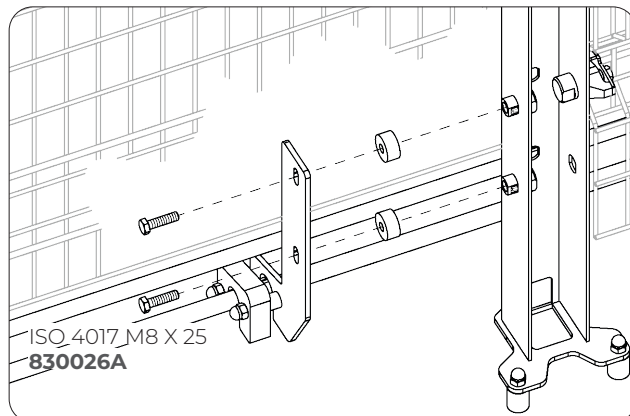
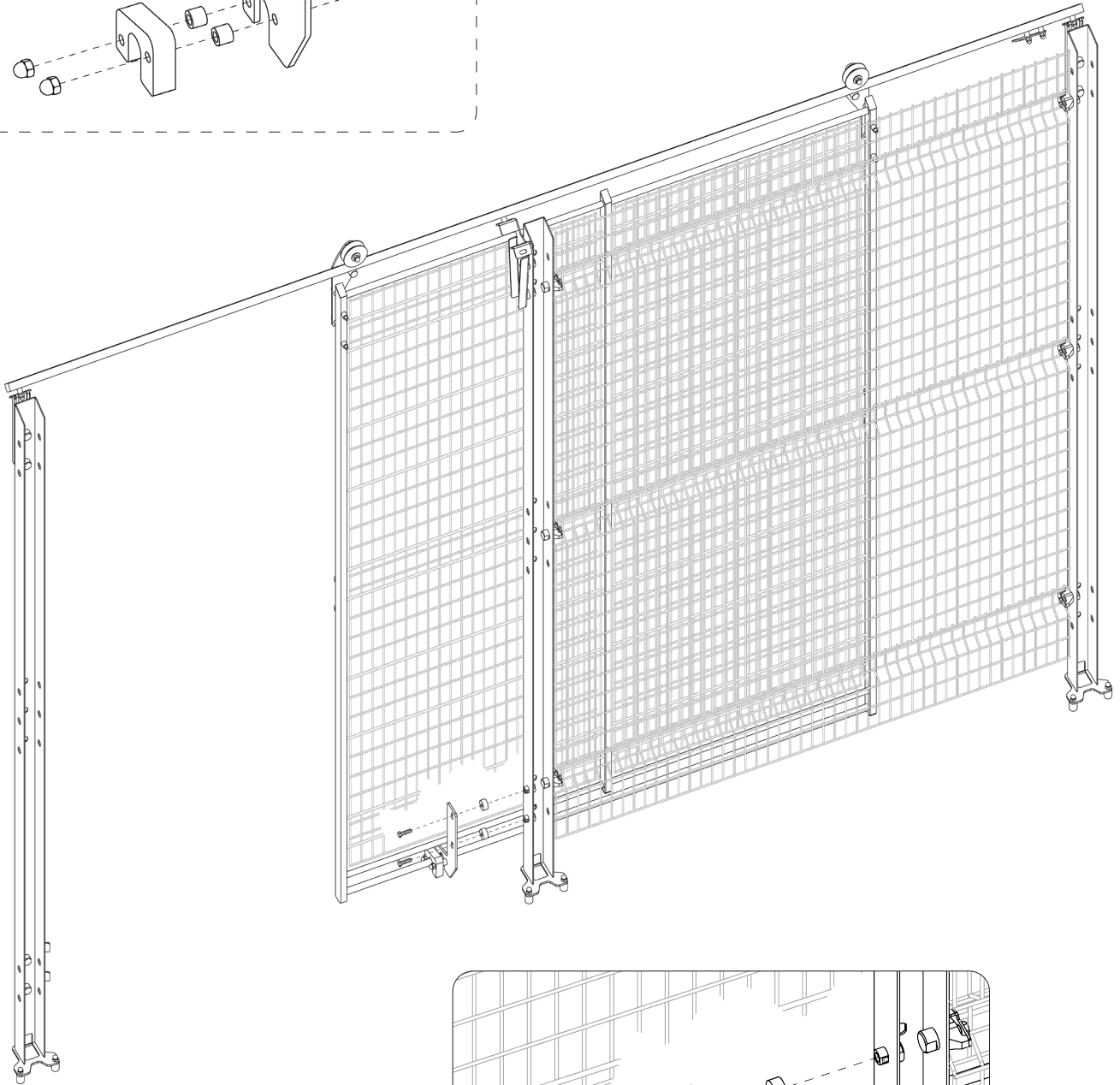
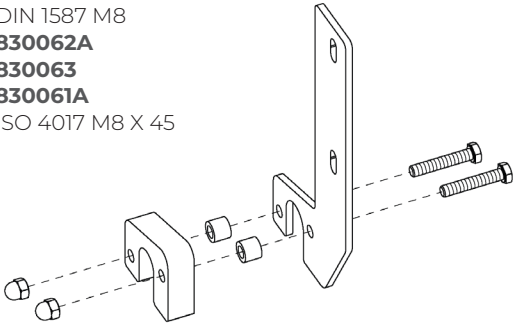
UPPER GUIDE SLIDING DOOR



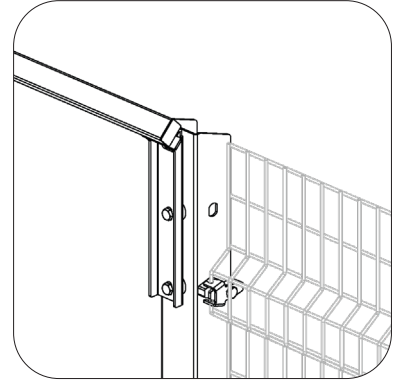
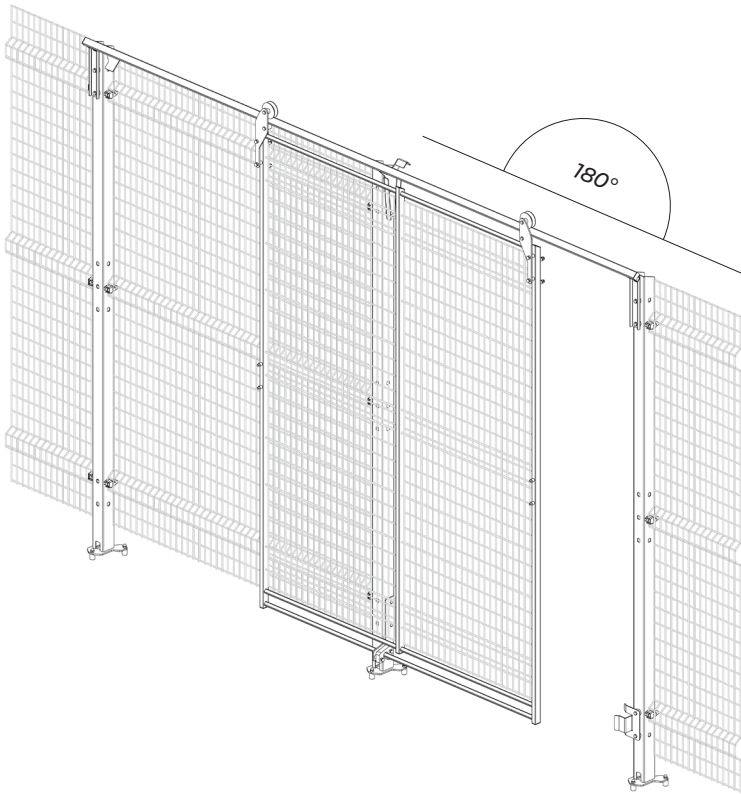
BlueGuard

UPPER GUIDE SLIDING DOOR

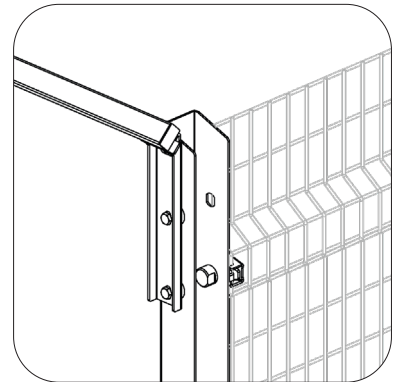
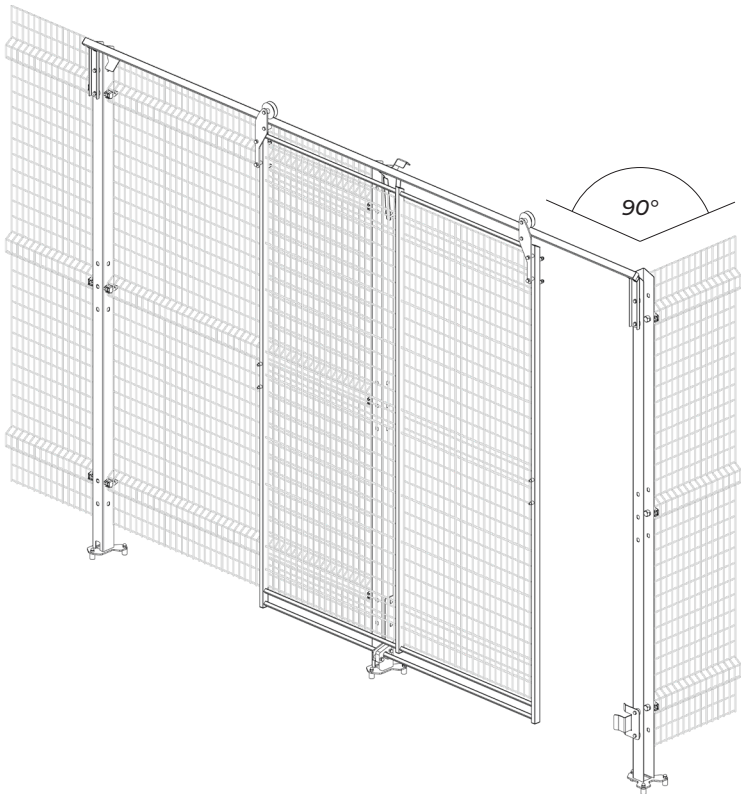
DIN 1587 M8
830062A
830063
830061A
ISO 4017 M8 X 45



LINEAR ASSEMBLY



ANGULAR 90° ASSEMBLY



BlueGuard

UPPER GUIDE SLIDING DOOR

