

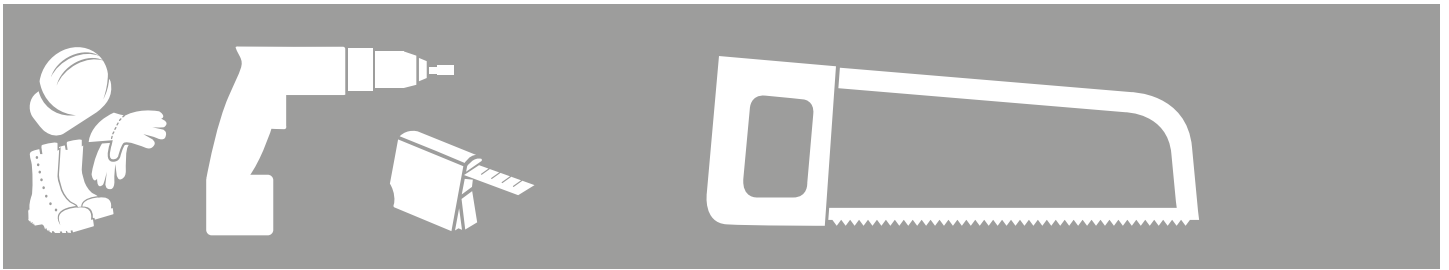


ASSEMBLY INSTRUCTION
– JUST FOLLOW ME

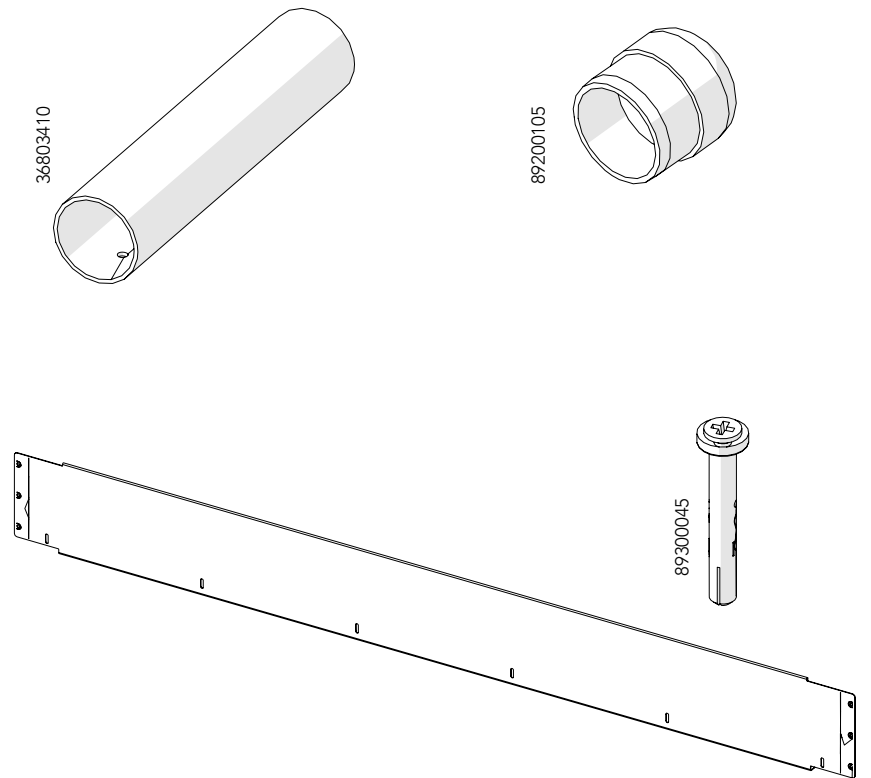
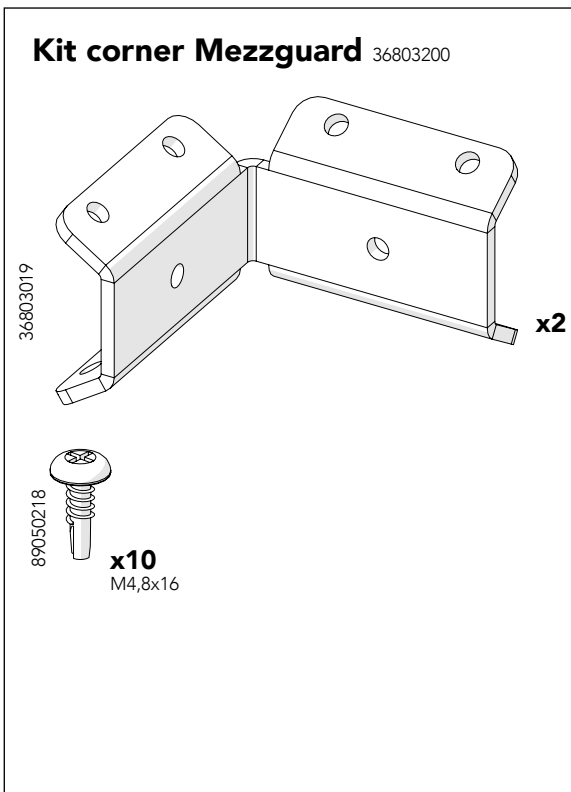
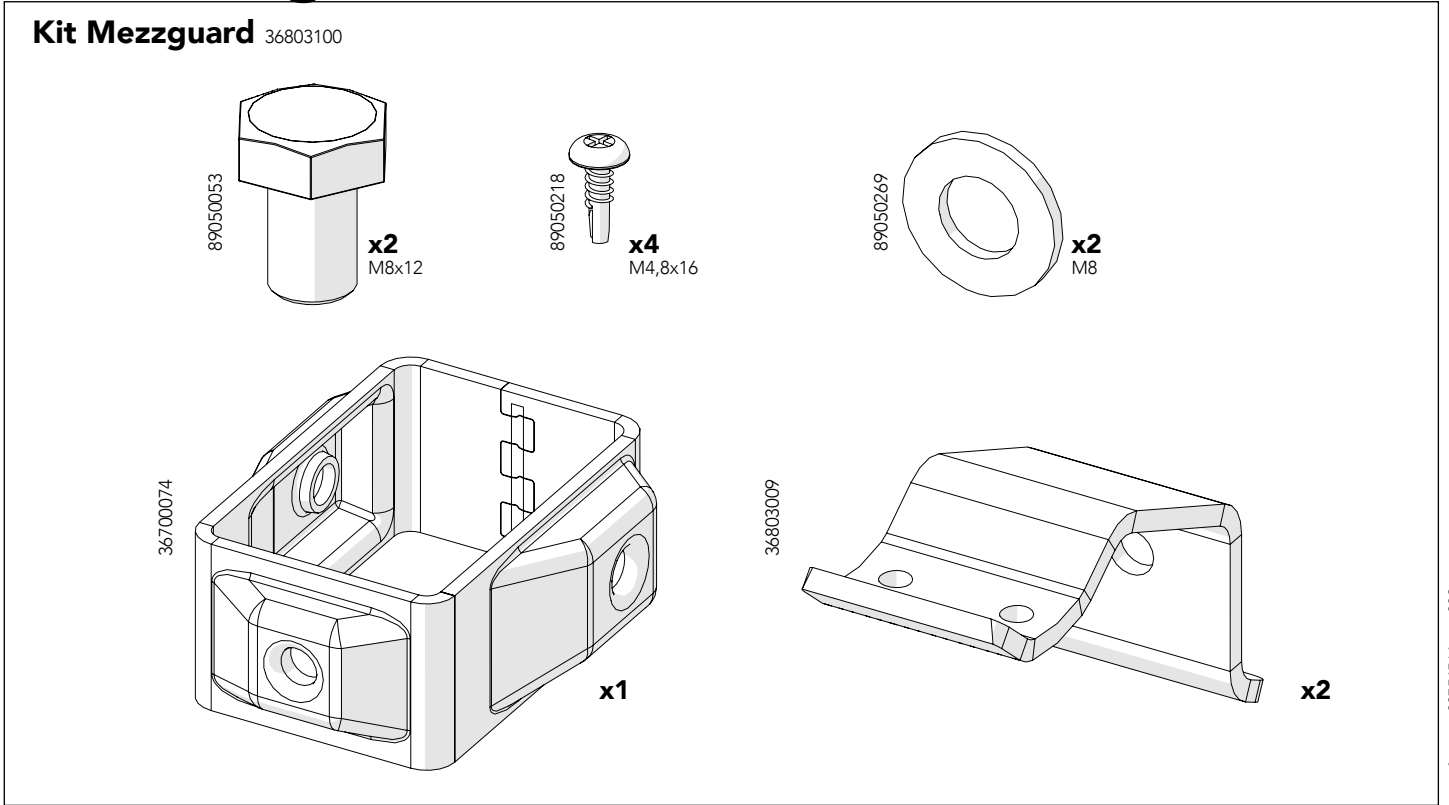
MEZZGUARD

KIT 36803100





Kit Mezzguard 36803100





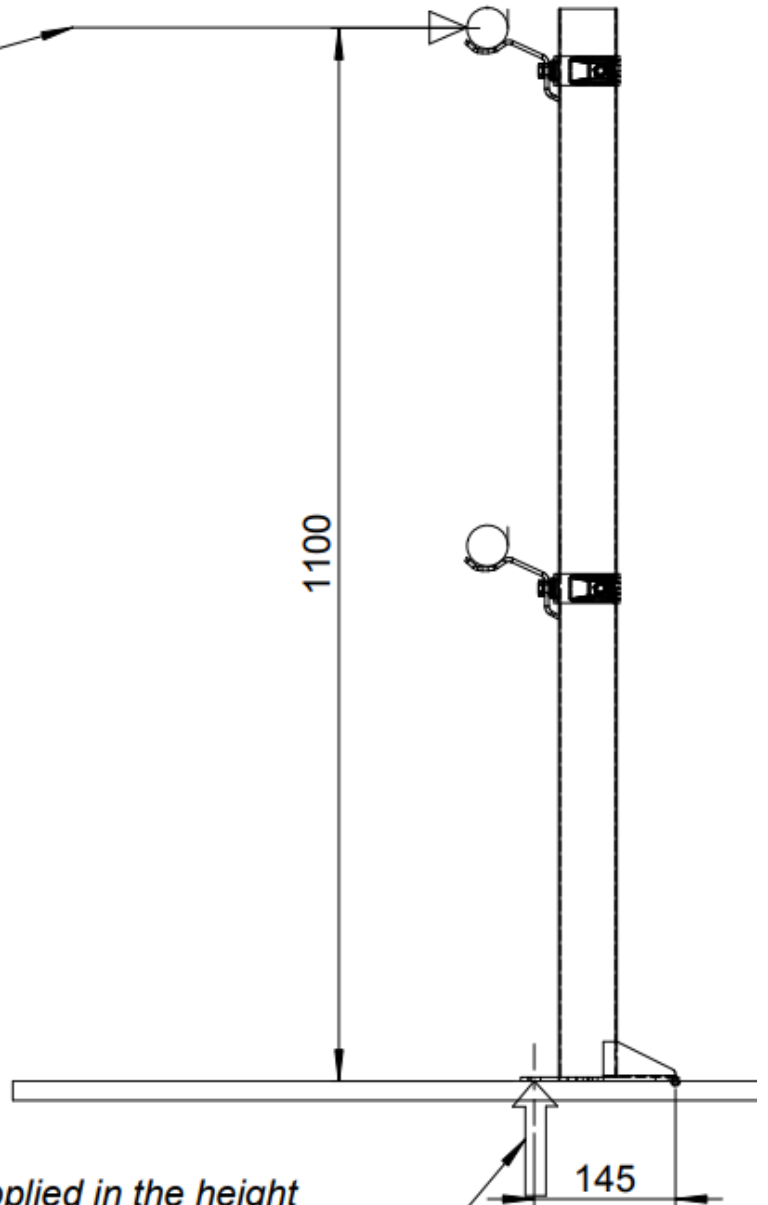
Warning!

For safe mounting of the guard rail onto the floor please ask a specialized shop with information of your floor substance and max. load capacity for a suitable screw or crew/dowel combination.

Zur sicheren Befestigung des Geländers am Boden erkundigen Sie sich bitte im Fachhandel unter Angabe der vorhandenen Bausubstanz und der max. last nach der geeigneten Schrauben, bzw. Schrauben/Dübel-Kombination

Horizontal force according to EN/ISO 14122-3:

Force usage (point load): 468N
Force strength(point load): 819N

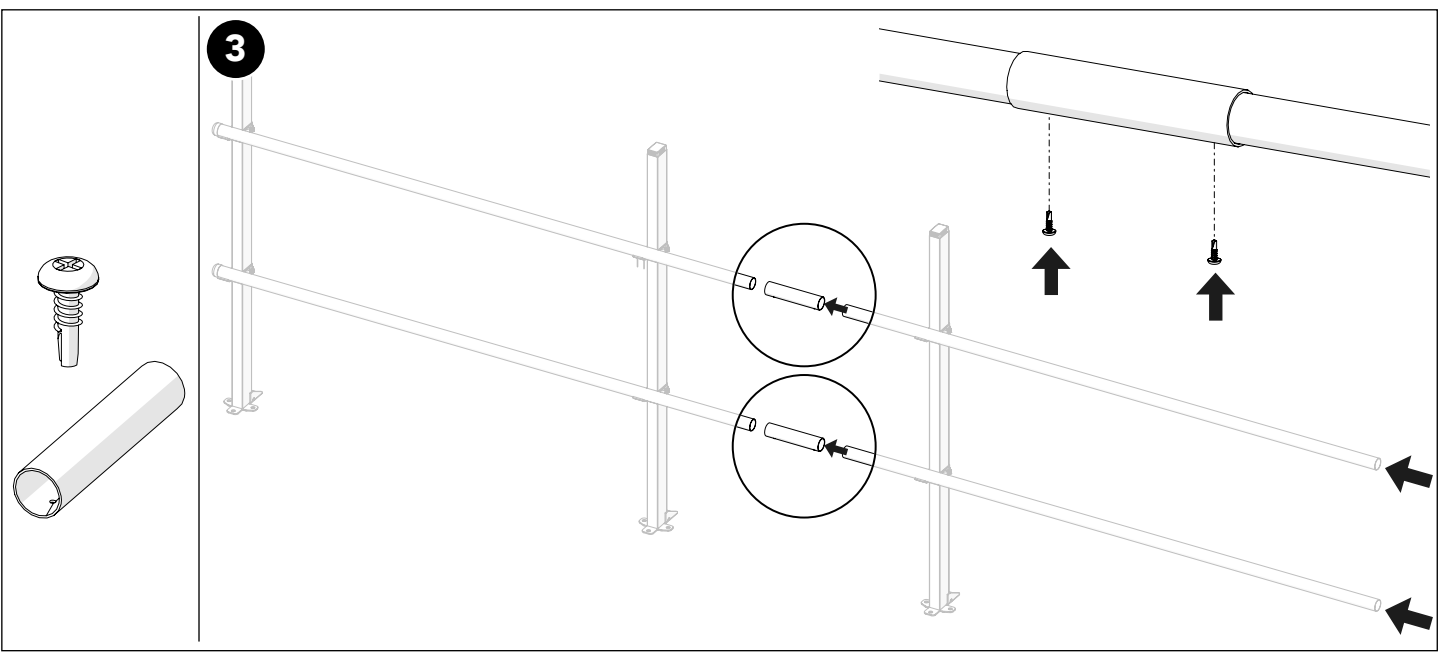
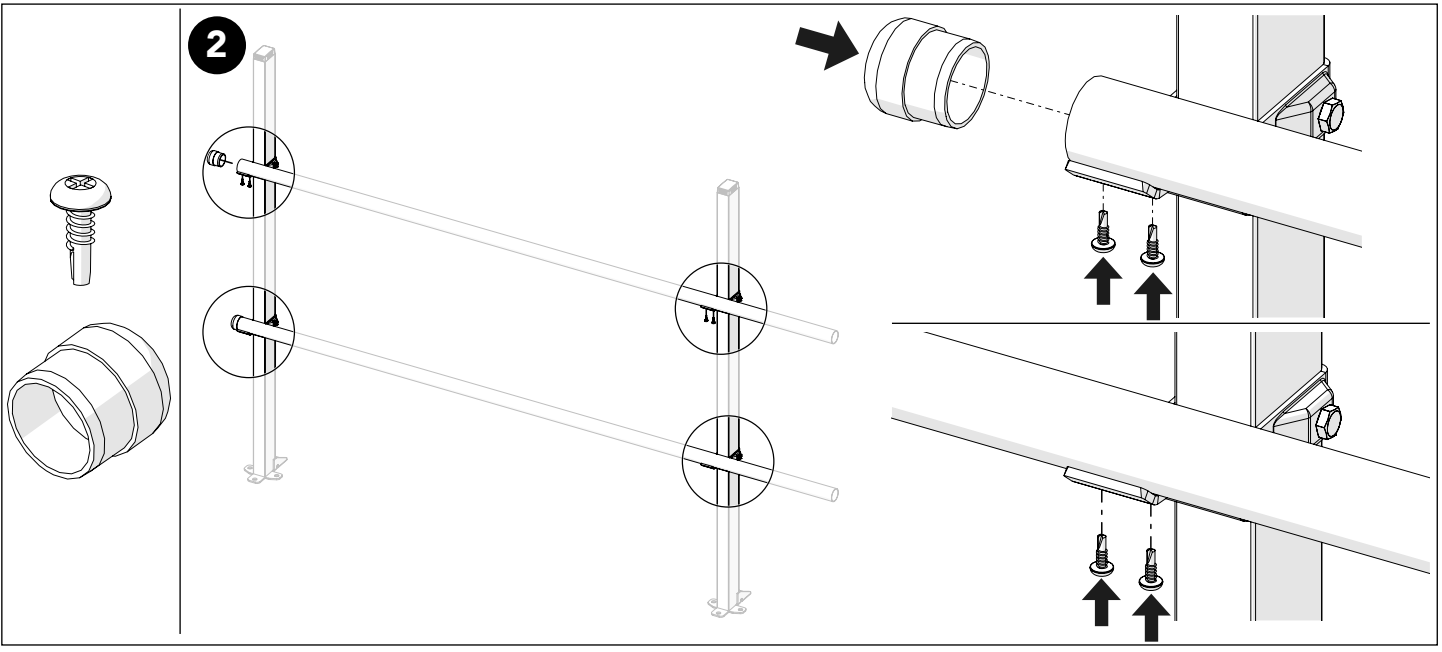
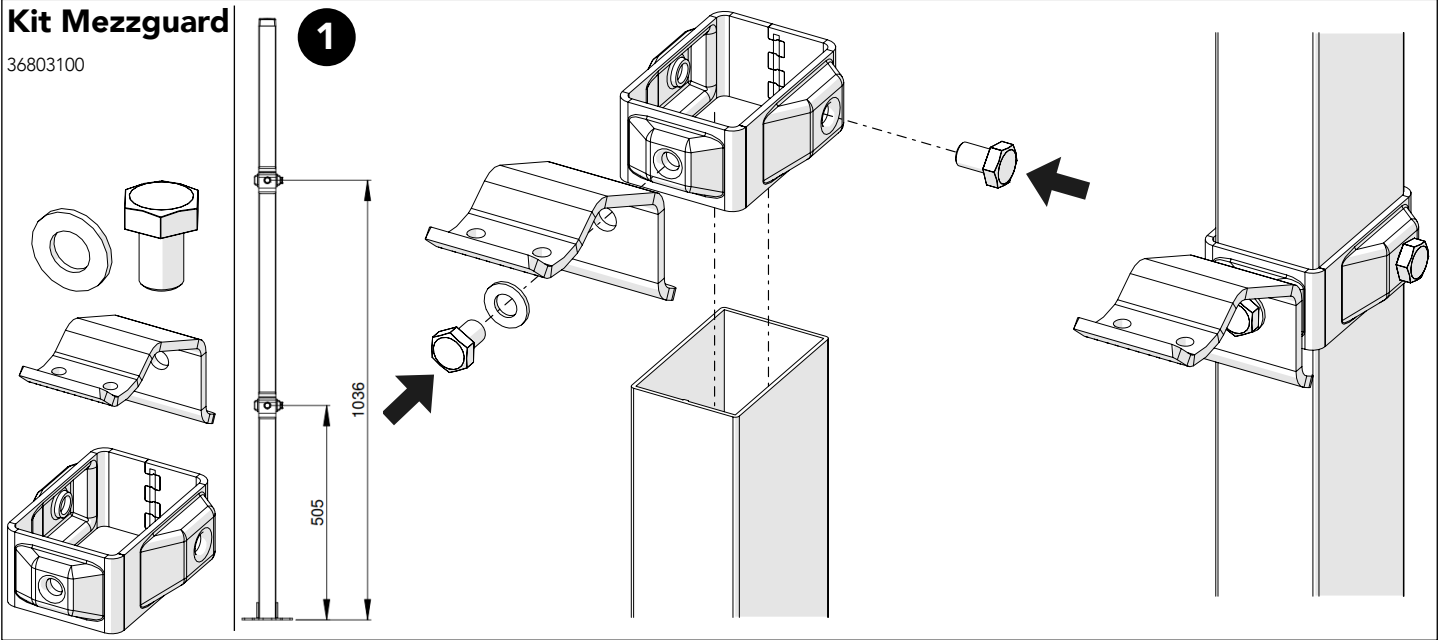


*Example:
If force 819N is applied in the height of the rail, the total force on the floor fixing will be 575 kg.*

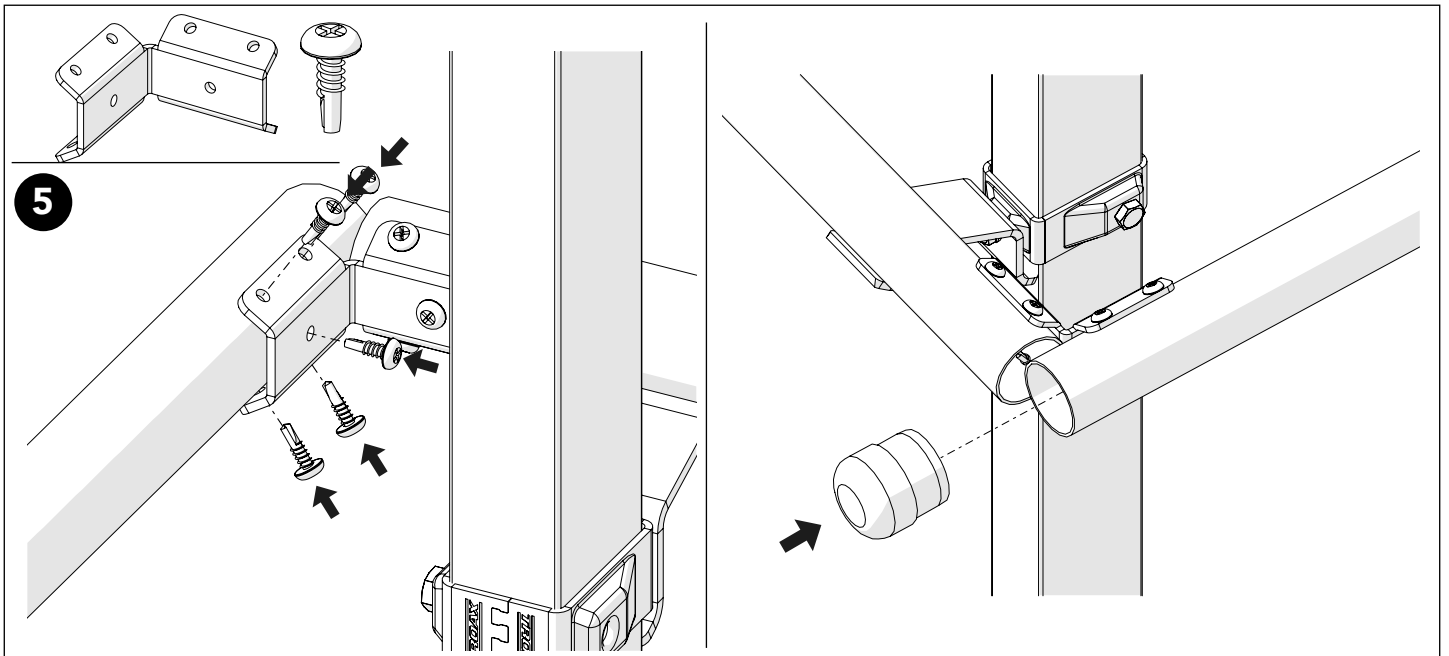
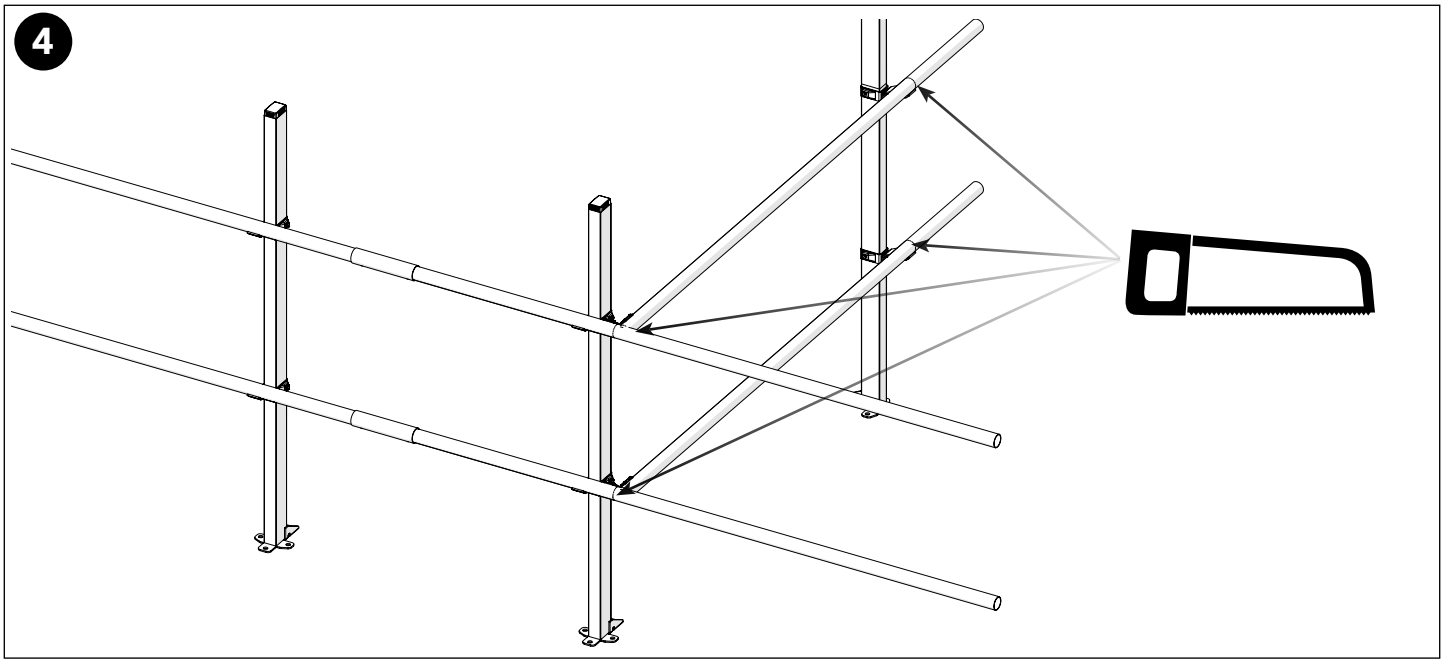
$(819 \times 1100) / 145 = 5648N = 575 \text{ kg.}$

Kit Mezzguard

36803100



Art no: 88754514 ver. 003



Art.no: 8875414 ver. 003

