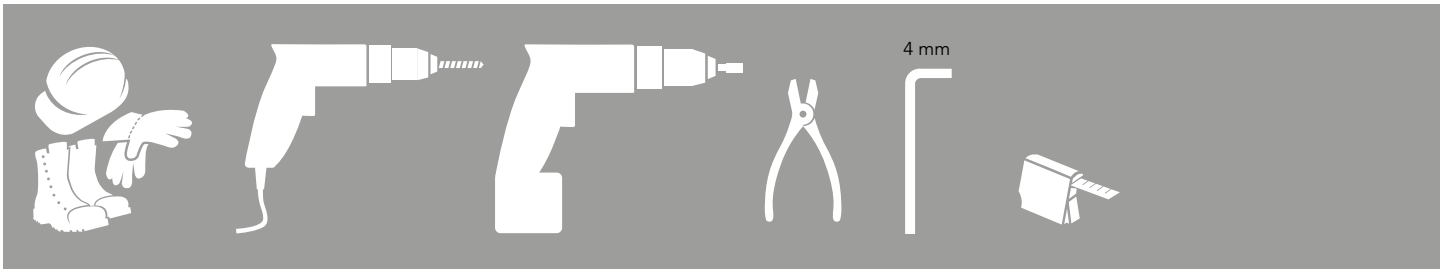




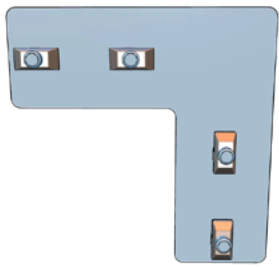
ASSEMBLY INSTRUCTION
– JUST FOLLOW ME

QUICKGUARD SYSTEM

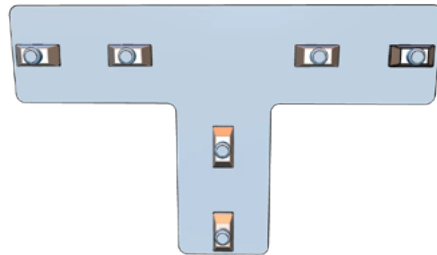




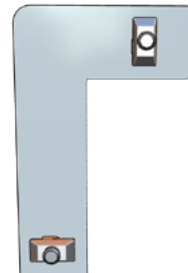
QuickGuard System



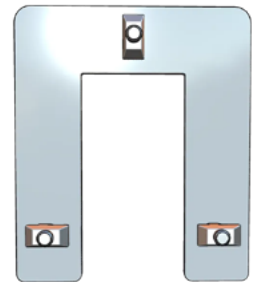
15432050



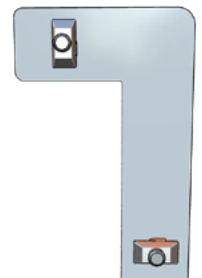
15432040



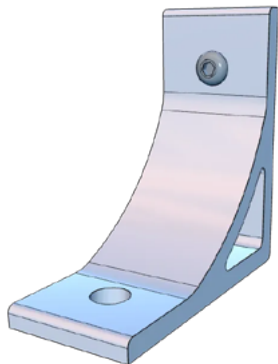
15432130



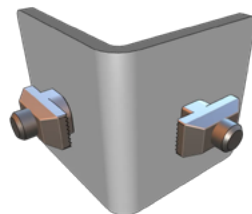
15432110



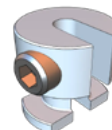
15432120



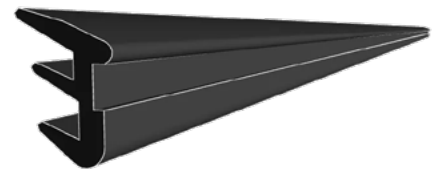
15432080



15901140

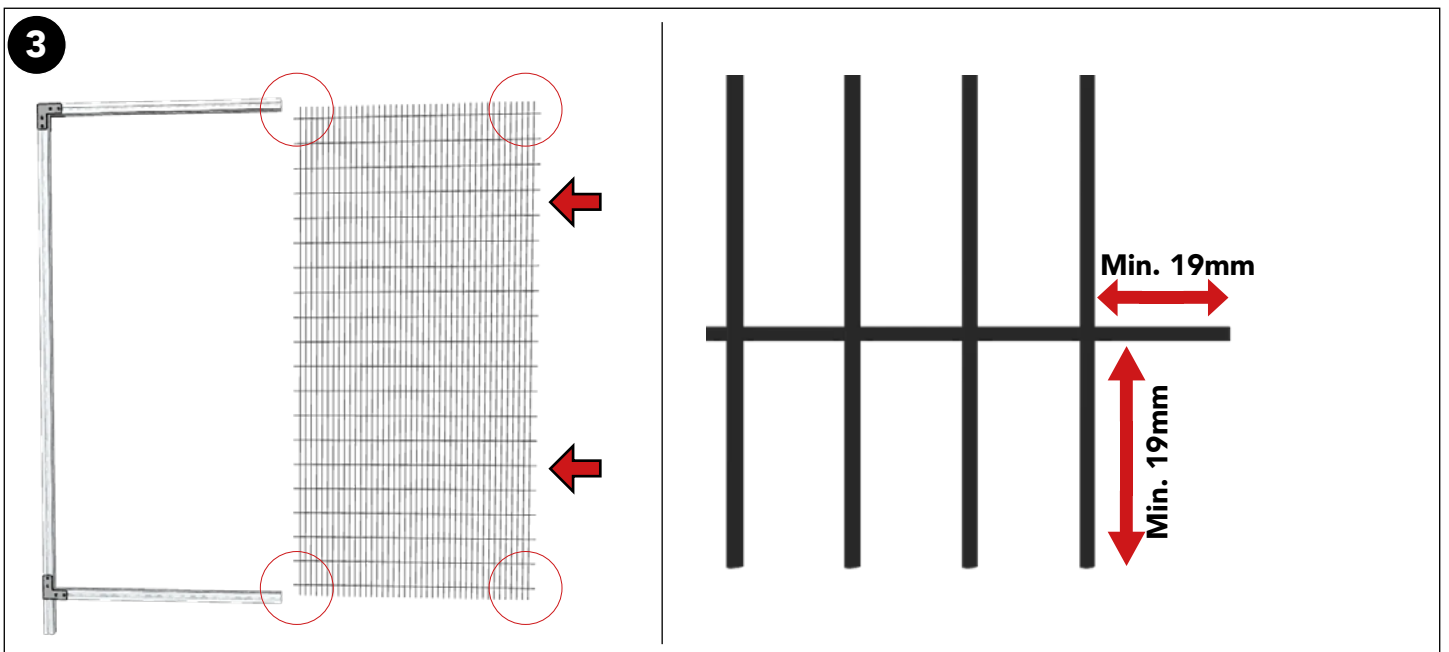
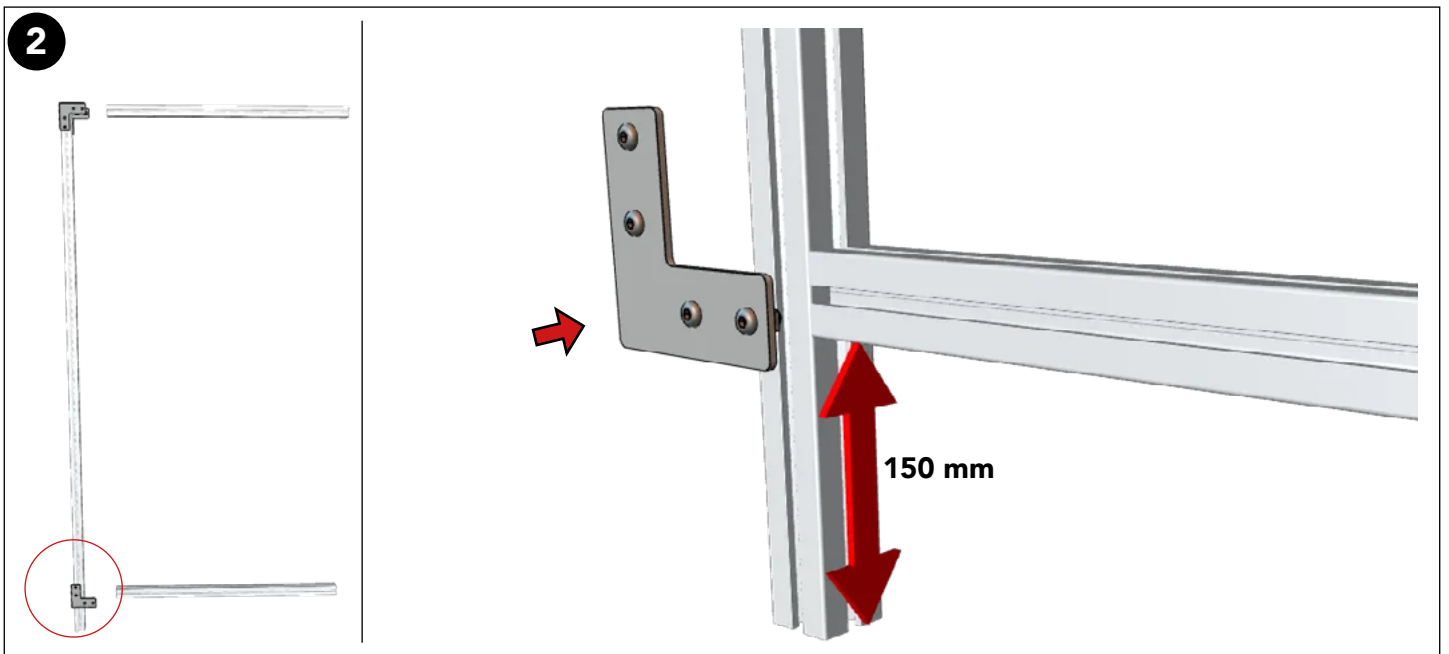
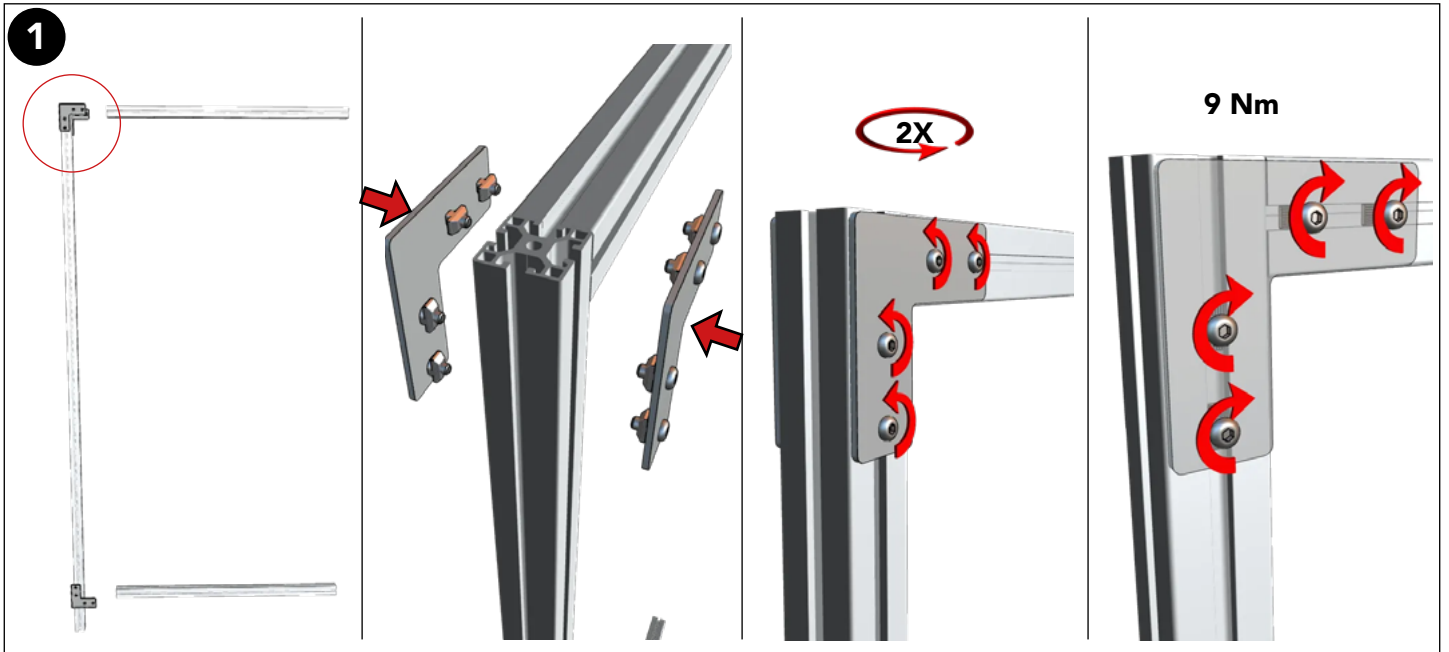


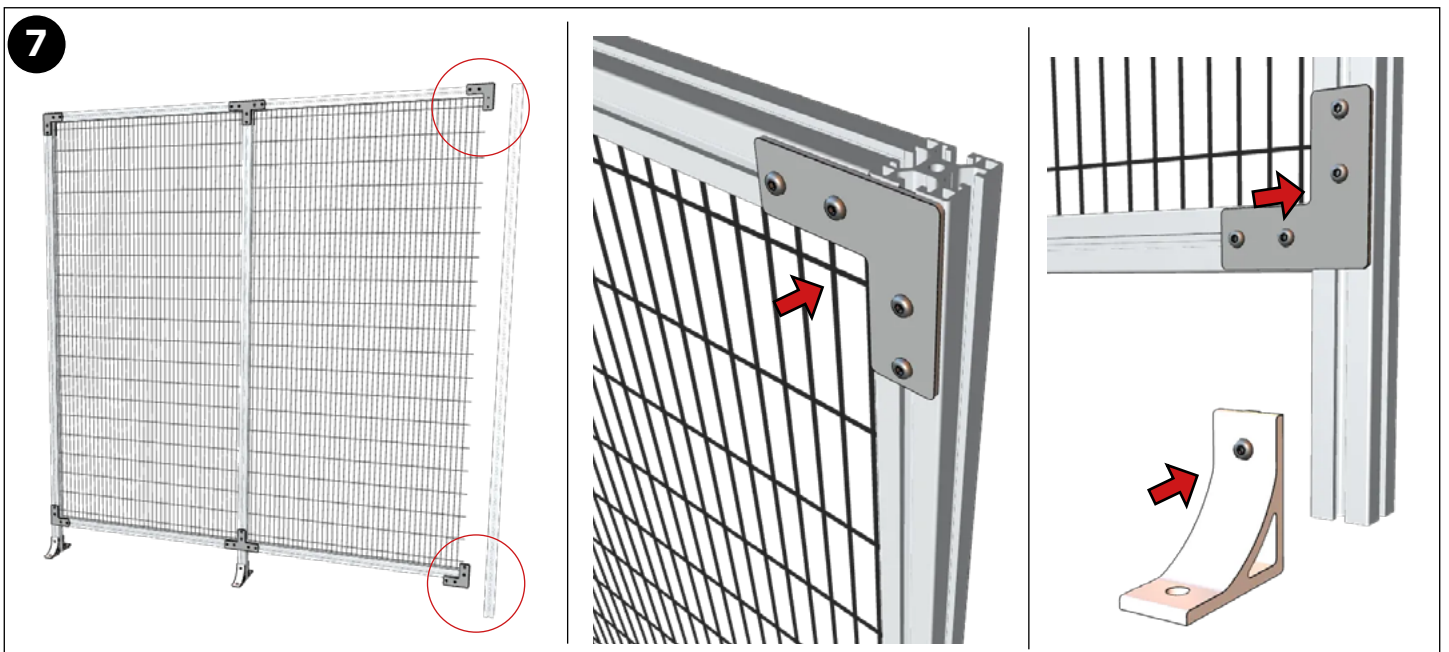
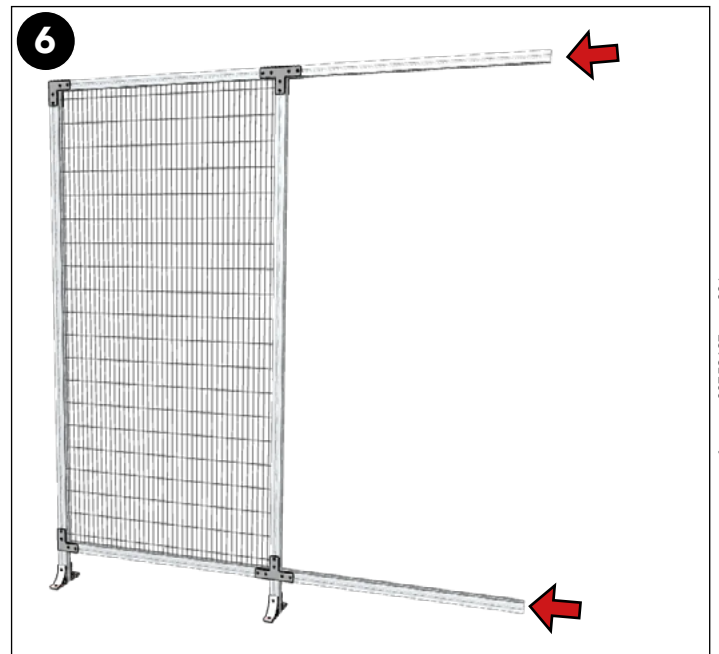
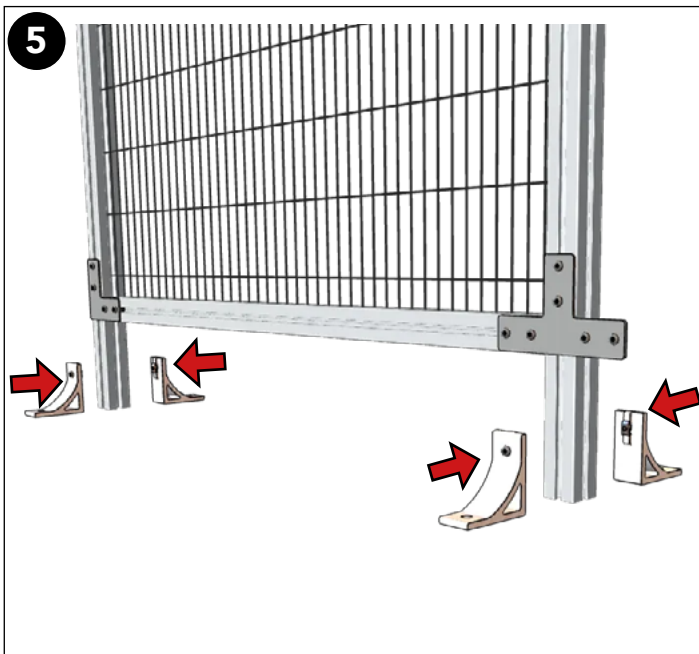
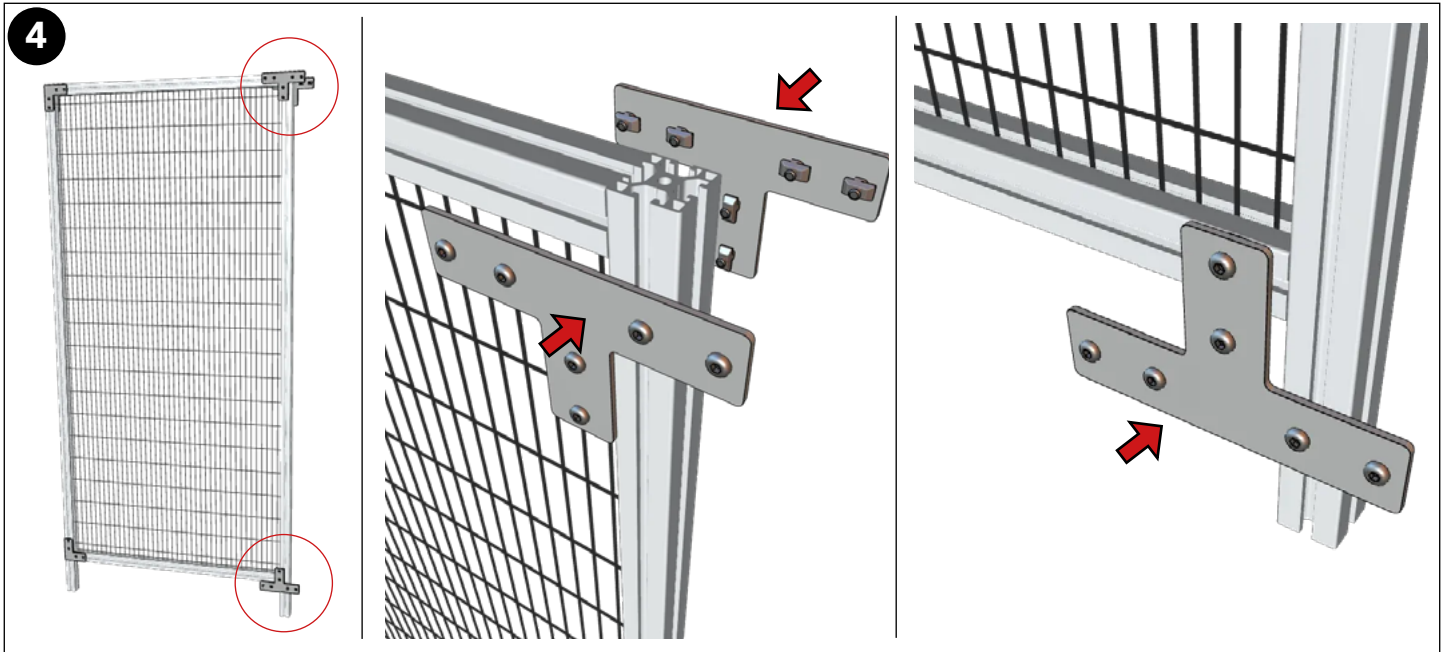
15500057

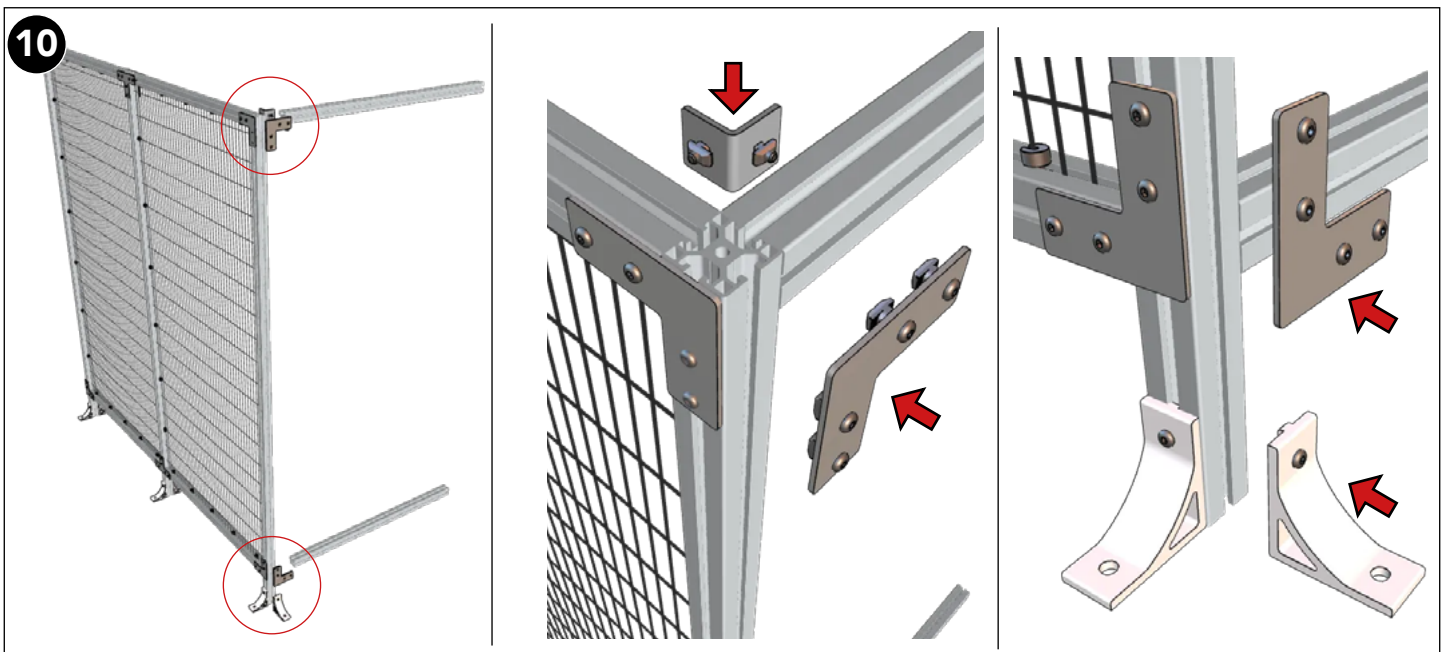
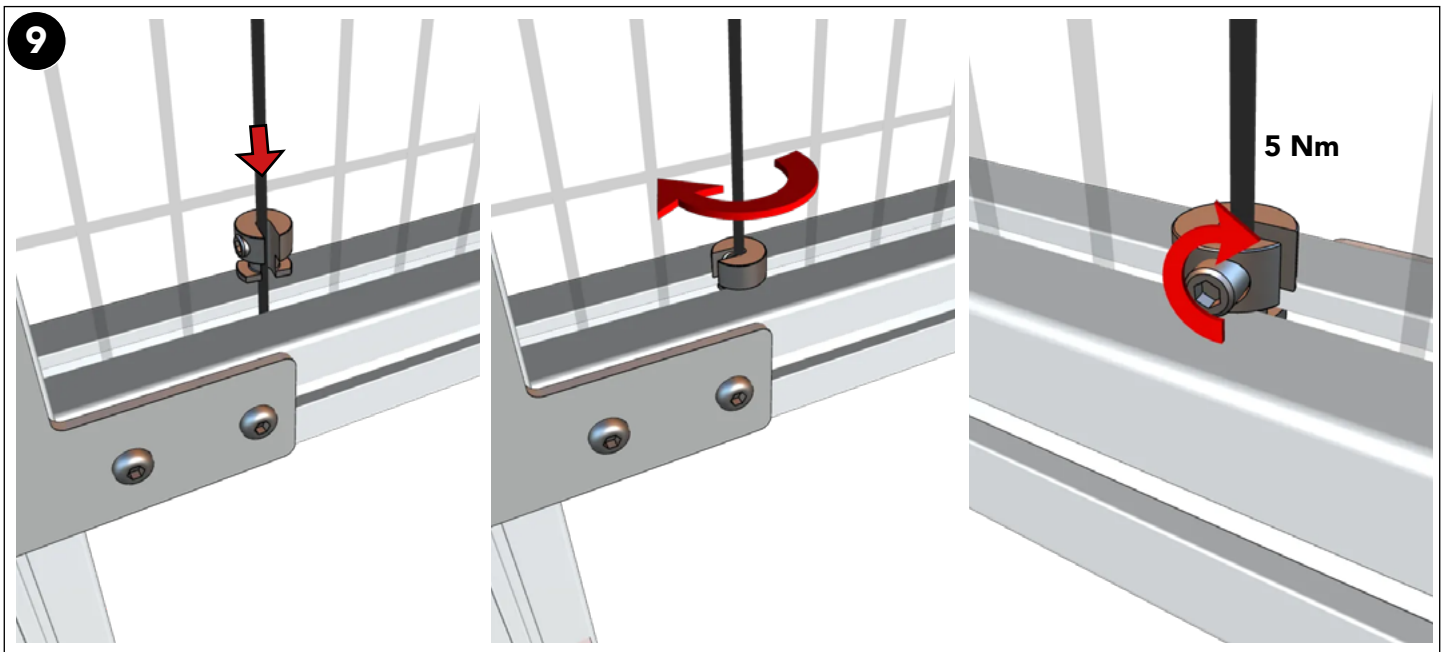
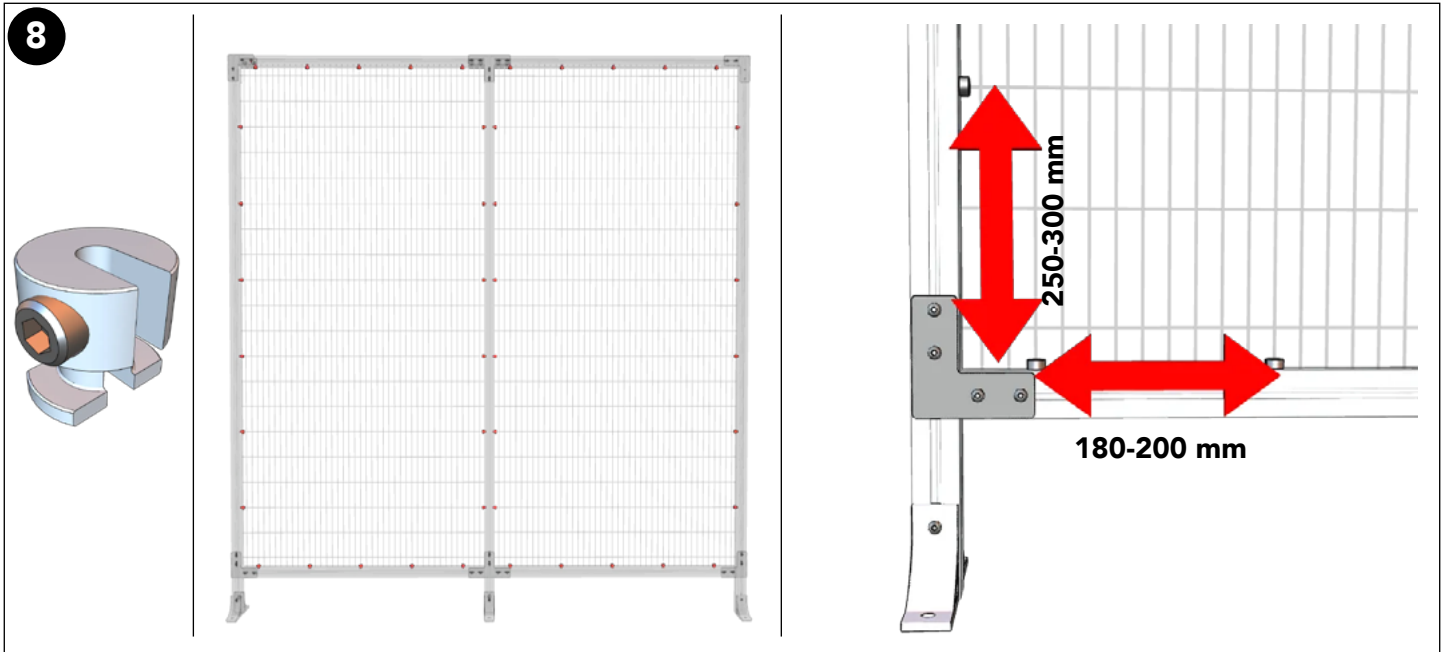


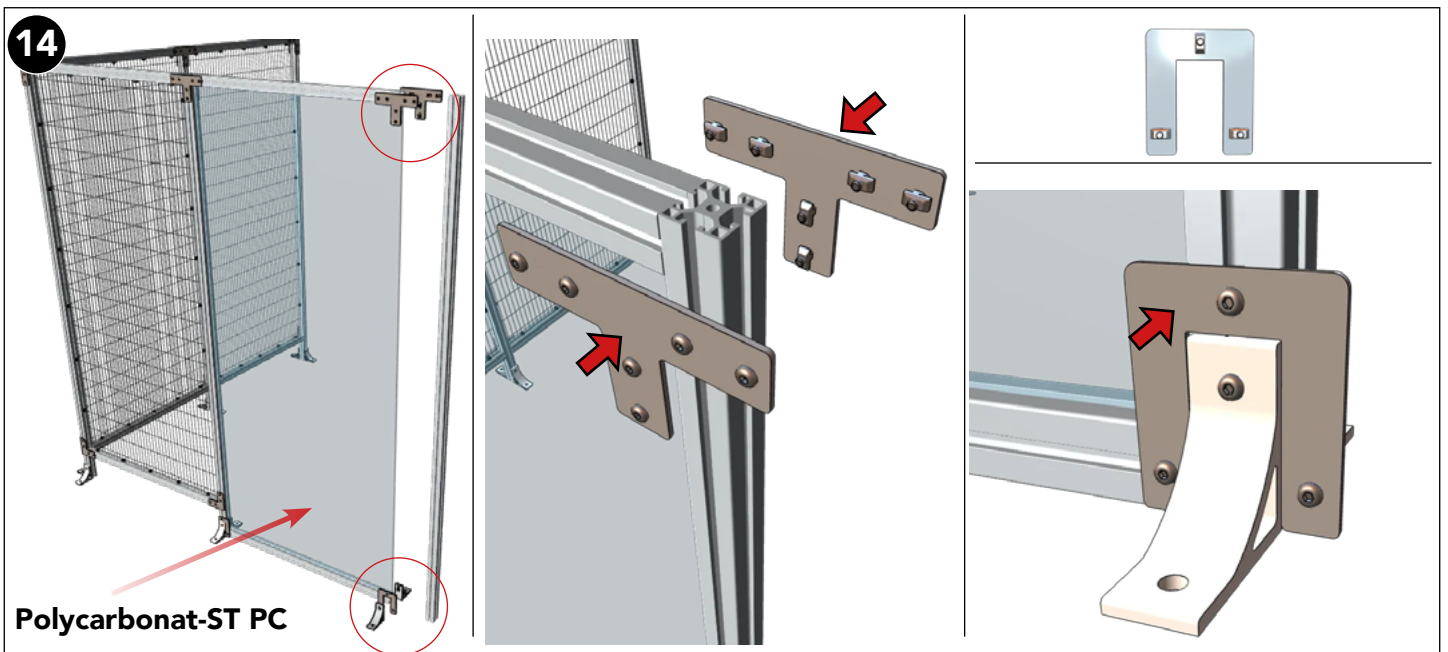
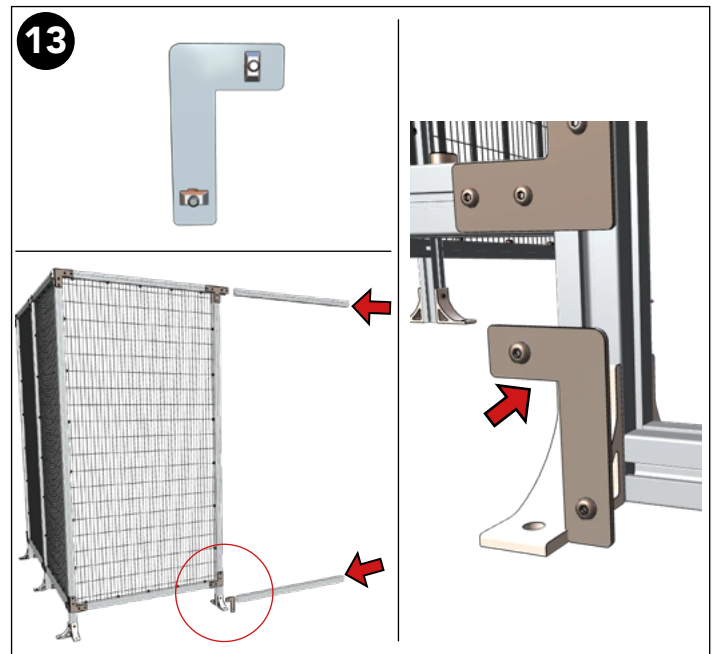
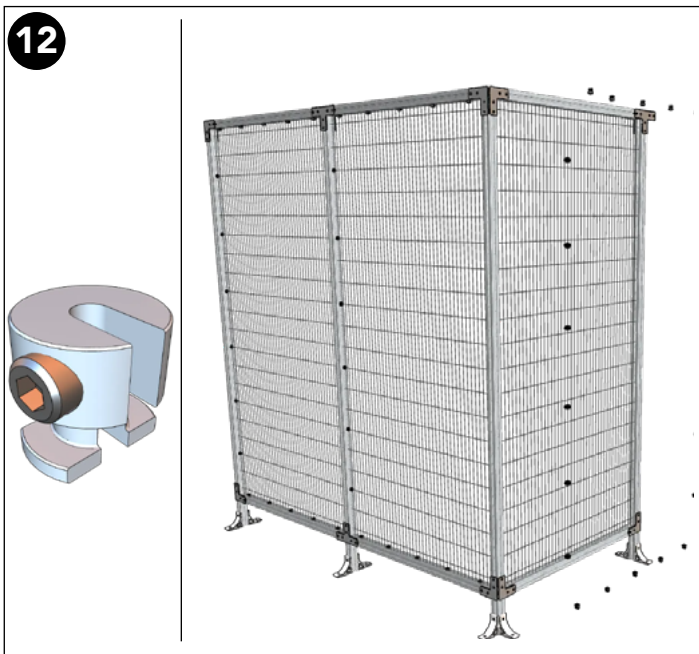
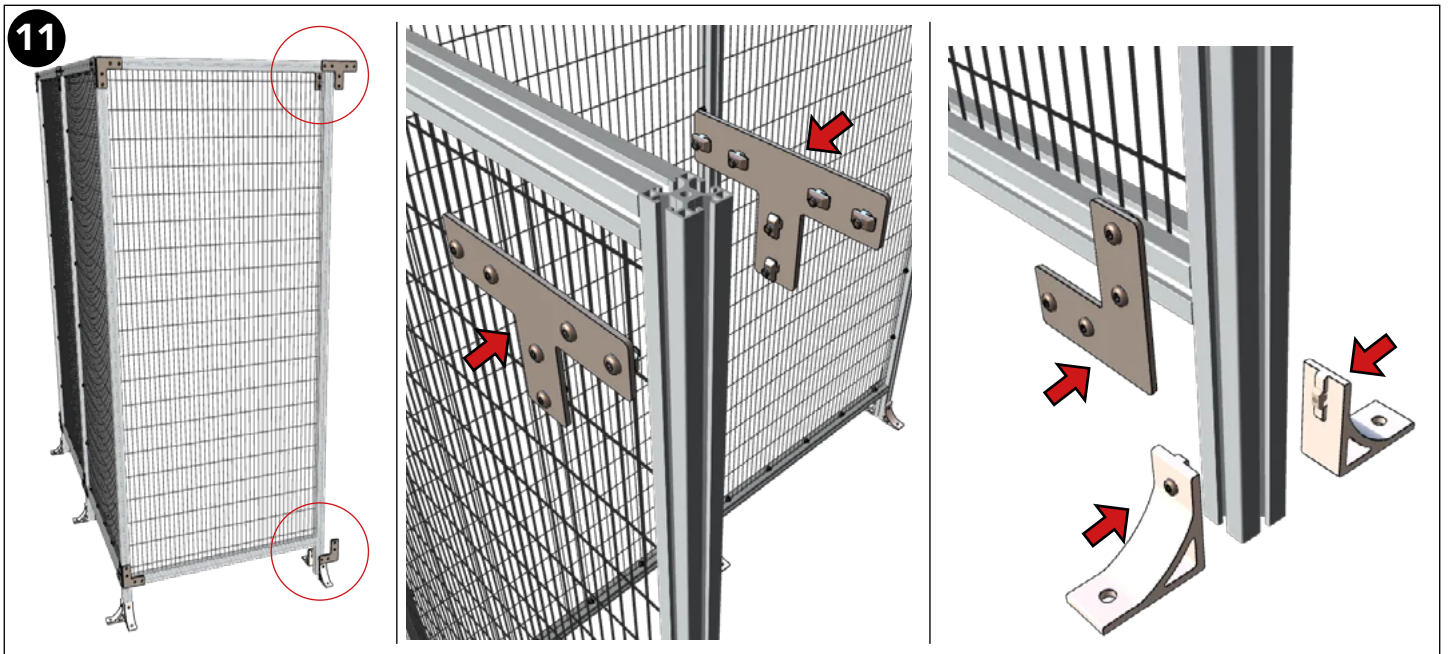
15500058

Art no: 88759427 ver. 001

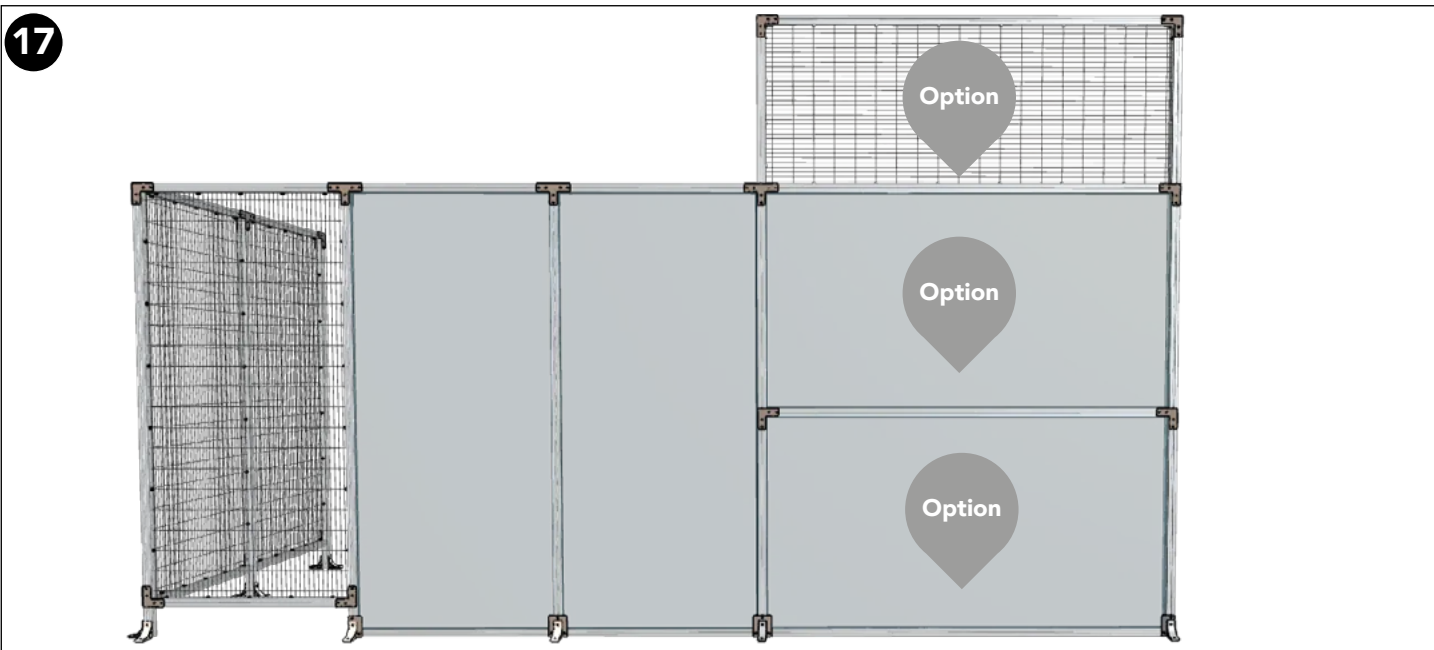
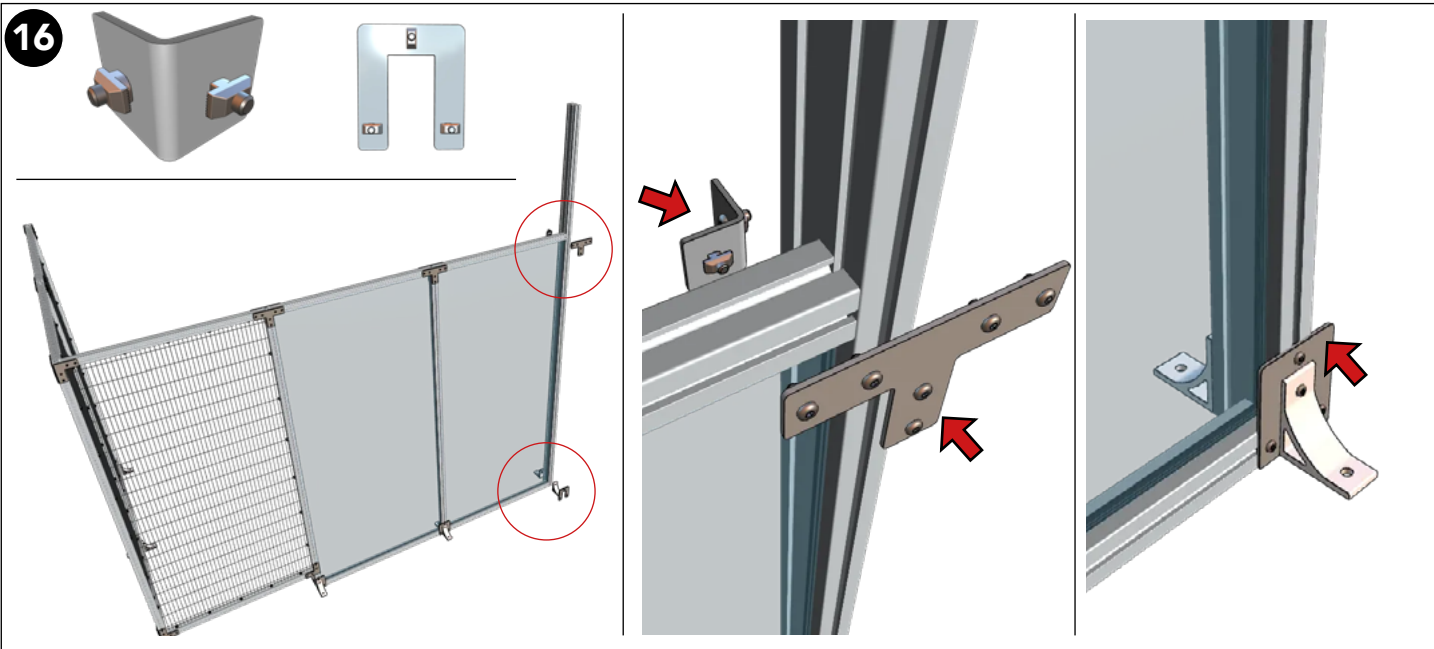
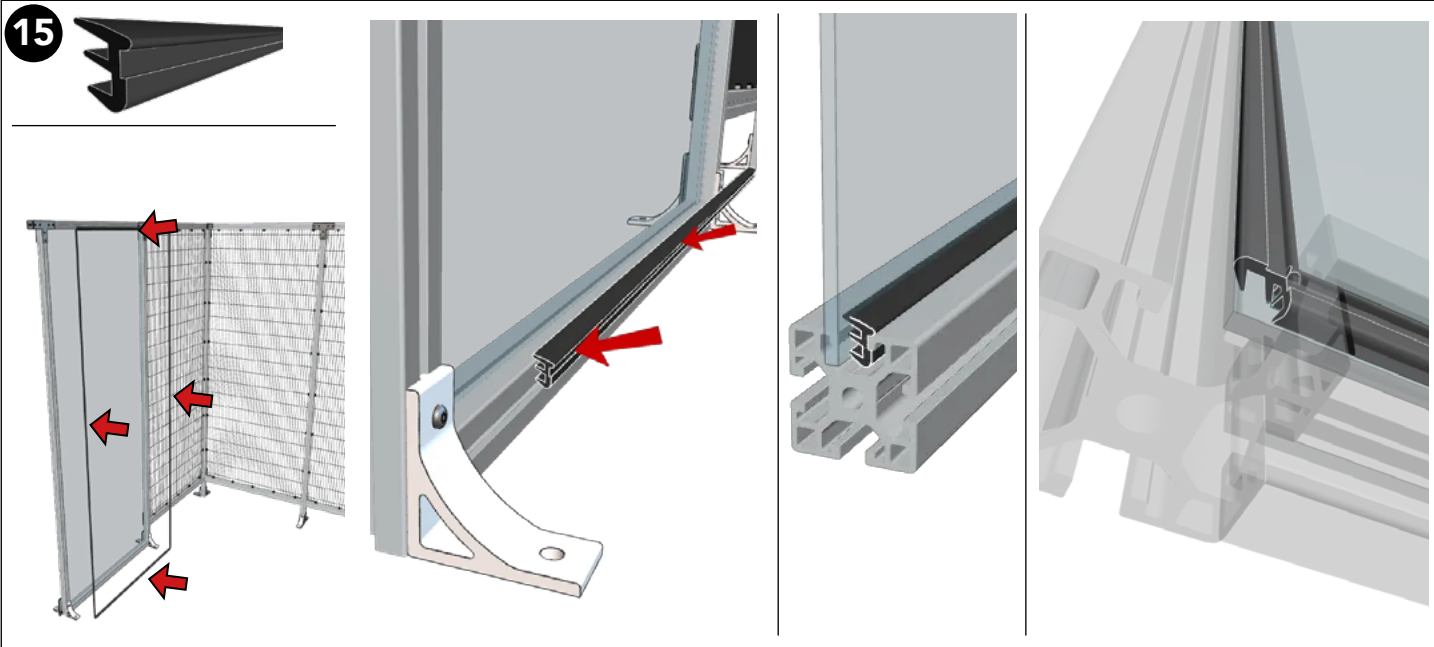








Art no: 88759427, ver. 001



Art no: 88759427 ver. 001