

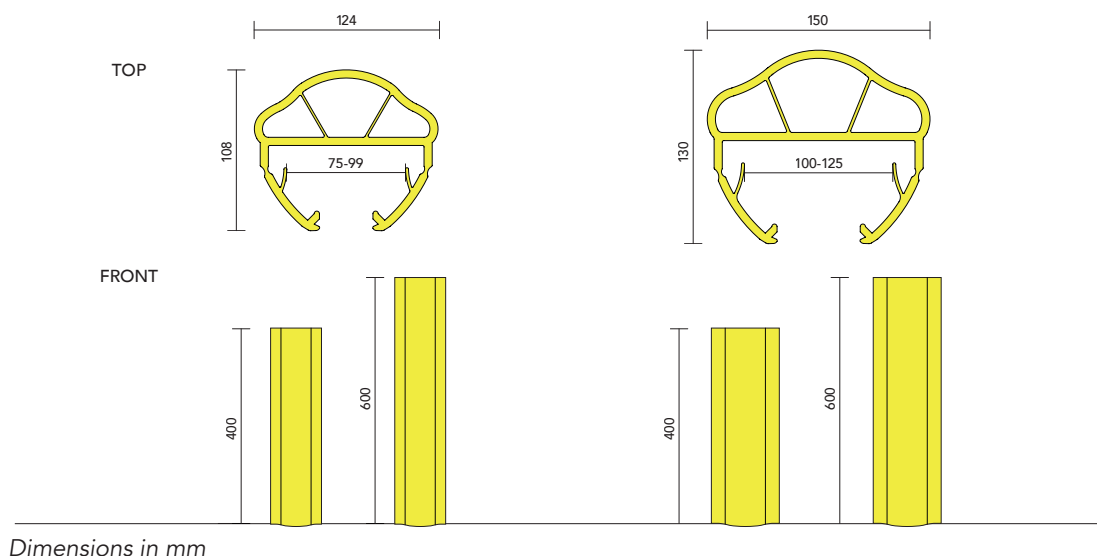
RACK GUARD



The Rack Guard is an essential warehousing solution for maintaining racking system integrity and preventing costly and hazardous collapses. It is widely used in logistics environments where reach trucks, order pickers, and side loaders constantly operate alongside racking systems. This cost-efficient solution installs directly onto the rack without tools or ground anchorage.



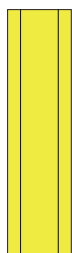
DIMENSIONS



PERFORMANCES



RACKS AND STORAGE



System	Impact resistance in Joules at 90°
Rack Guard	400

MATERIAL PROPERTIES

Material	Polyethylene
Operational Temperature Range	-40°C to +50°C
Ignition Temperature	350-360°C
Flash Point	350-360°C
Food Contact	Regulation (EC) No. 1935/2004 FDA, CFR, Title 21, §177.1520 Olefin Polymers
Chemical Resistance	High-ISO / TR 10358
UV Stability	Gray Scale 5/5 Blue Wool Scale 8/8 Tensile Strength - No change
Surface Resistivity	10 ¹⁵ -10 ¹⁶ Ω

