



CROSSING GUARD SYSTEM

PRODUCT OVERVIEW



CONTENTS

- 03 CROSSING GUARD SYSTEM
- 05 WHAT IS ACTIVE SAFETY?
- 06 DESCRIPTION
- 07 HOW DOES IT WORK?
- 08 SYSTEM COMPONENTS
- 09 BENEFITS OF THE CROSSING GUARD
- 10 AREAS OF APPLICATION
- 11 MODEL VARIATIONS
- 12 OPERATING EXAMPLES
- 13 SAFETYU
- 14 COMPLETE WAREHOUSE SOLUTIONS

Troax is a global developer and manufacturer of safety solutions for Machine Guarding, Warehouse Partitioning and Property Protection. This brochure presents our warehouse solutions in Active Safety, which employs advanced technologies to proactively detect and address potential hazards in real-time. It promotes safety awareness and prevents accidents when physical barriers are not suitable. Our products offer modularity and adaptability, enabling seamless integration of various applications. This means you can easily mix and match different functions to suit your specific needs. Read more about our systems at www.troax.com

CROSSING GUARD SYSTEM

FOR MORE THAN 60 YEARS WE HAVE BEEN DEVELOPING INNOVATIVE SOLUTIONS FOR MACHINE GUARDING, WAREHOUSE PARTITIONING, AND PROPERTY PROTECTION. TODAY WE ARE THE MARKET LEADER, AND OUR PRODUCTS CAN BE FOUND ALL OVER THE WORLD – PROTECTING PEOPLE, PROPERTY AND PROCESSES.

THIS IS TROAX

TROAX IS REPRESENTED IN MORE THAN 40 COUNTRIES AND HAS 24 SALES COMPANIES OF ITS OWN. WE AIM TO STRENGTHEN OUR POSITION WORLDWIDE AND EXPAND OUR BUSINESS ON EACH CONTINENT.



At Troax, we have a rich history of protecting people, property and processes. Since 1955, we have been at the forefront of developing safety solutions with a drive to maintain innovative and top quality products. We have consistently built the organization and produced innovative products to lead the global market in delivering solutions to enhance protection and security. Our culture of protecting what's important has driven our organization forward.

- MAKING YOUR WORLD SAFE
- MARKET LEADING
- GLOBAL DISTRIBUTORS

WHAT IS ACTIVE SAFETY?

In workplace safety, two key strategies emerge:

Active Safety employs advanced technologies to proactively detect and address potential hazards in real-time. It promotes safety awareness and prevents accidents when physical barriers are not suitable.

Passive Safety uses physical barriers and safeguards to separate employees from hazards. These static protections, like guardrails, offer a physical shield where they are applicable.

By combining Active and Passive Safety, companies create tailored safety approaches for a secure work environment.

Our approach is built upon 4 main pillars:



SAVING LIVES

The ultimate goal of our products is to save lives. By investing in these systems, companies can protect their workforce from serious harm and create a workplace where employees can feel secure and confident in their personal safety.



REDUCING ACCIDENTS

By implementing our active safety solutions, companies can significantly reduce the risk of accidents. These systems provide real-time alerts and warnings, helping to prevent collisions and incidents that can lead to injuries or damage.



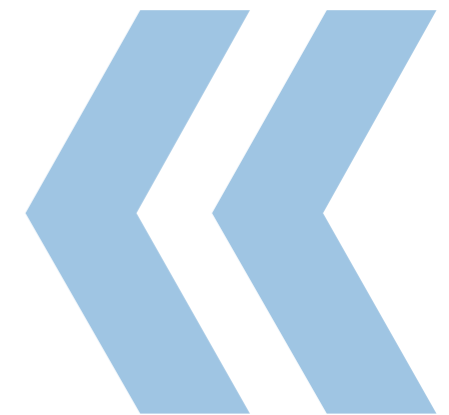
ENHANCING WORKPLACE SAFETY

Our active safety products are purpose-built to enhance safety in the workplace. They employ cutting-edge technology to identify and mitigate potential hazards, creating a safer environment for all employees.



FOSTERING A SAFETY CULTURE

Our solutions foster a culture of safety awareness and prevention. They encourage employees to be more vigilant and proactive in identifying and avoiding risks, ultimately reducing the likelihood of accidents.



DESCRIPTION

Any industrial space with a high volume of traffic of vehicles and pedestrians is prone to dangerous accidents and risky situations.

The Crossing Guard system has been developed to minimize the danger of collision at intersections in warehouses or other industrial spaces, and to create safer and more efficient work environments.

The Crossing Guard protects operators and forklift drivers by means of visual alerts. It uses radar technology to differentiate between

persons and vehicles, and to detect if forklifts are approaching or leaving an intersection.

It can be easily complemented with other safety systems.

On request, the Crossing Guard can also be purchased with external outputs that activate a pedestrian gate, or with external signalling accessories.

The Crossing Guard device can be configured to give priority to one direction.



HOW DOES IT WORK?

The Crossing Guard hangs at a height of between 3 to 7 meters over warehouse intersections, warning of a risk with its traffic light and visual warning projections on the ground.

The Crossing Guard detects a person approaching an intersection and immediately projects a blue light signal - called a Bluespot - to warn of the pedestrian's presence. It can also be configured so that instead of the Bluespot signal, it projects another visual warning signal - for example, a pedestrian warning triangle, using the VAS system.

On the other hand, if a forklift approaches the intersection, it will be detected by the Crossing Guard and turn the green or red light of the traffic light on to indicate the driver whether it has permission to cross or not, thus preventing a collision and contributing to a creating a safer workplace.



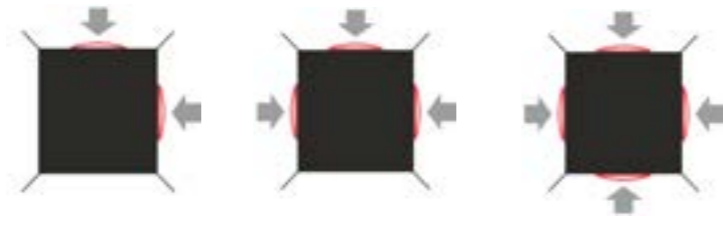
The Crossing Guard uses radar technology which allows it to clearly differentiate persons from forklifts, and to determine whether a forklift is approaching the intersection or moving away from it.

With the Crossing Guard neither operators nor vehicles need to carry a device to be detected. Instead, the system can locate them on its own. In addition, the Crossing Guard also features a finned separation design so that no more than one traffic light is visible from each angle, thus creating no confusion.

SYSTEM COMPONENTS



Crossing Guard



Two sides with traffic lights

Three sides with traffic lights

Four sides with traffic lights



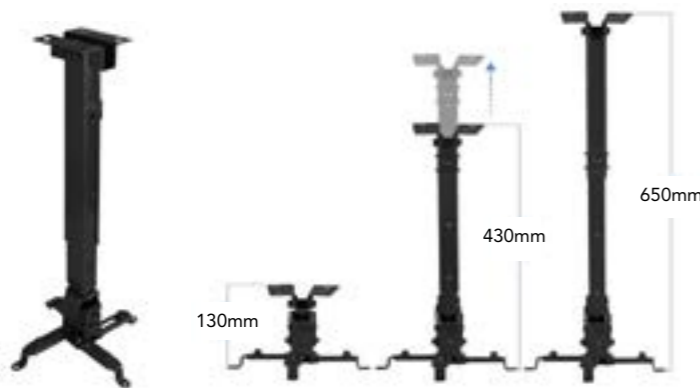
PNC00603

Radar

The radar motion detector has been specially designed to be used at intersections. It ensures optimal traffic flow thanks to the reliable and intelligent activation of the Crossing Guard.

*** This item may be sold separately.**

ACCESSORIES



Tensioners

The Crossing Guard, ready to be hung by tensioners or by means of a support with VESA standard holes.

Remote Control

The remote control allows the Radar Crossing Guard to be programmed easily and conveniently from the ground. The data transfer between the remote control and the Crossing Guard radar occurs in both directions - i.e., to and from the sensor -, via an infrared interface.



BENEFITS OF CROSSING GUARD

- Capable of differentiating between vehicles and people.
- Mounting height from 3 to 7 meters.
- Maximum detection speed of 25km/h for vehicles.
- It's not necessary to carry a device to be detected.
- Easily complements other safety systems.
- Easy handling at height.
- Robust aluminium structure.
- Configuration with remote control.



AREAS OF APPLICATION

- In spaces with high traffic volume of forklifts and pedestrians.
- At intersections with traffic of both pedestrians and forklifts.
- In poor visibility areas.
- At loading docks.
- In industrial spaces with unsafe intersections.

In areas where there are intersections with heavy forklift and pedestrian traffic, risky situations and even accidents such as collisions or pedestrian strikes are common occurrences, sometimes with drastic consequences.

The Crossing Guard system is designed to warn pedestrians of potential risks of such accidents in the vicinity by projecting illuminated signals on the ground.

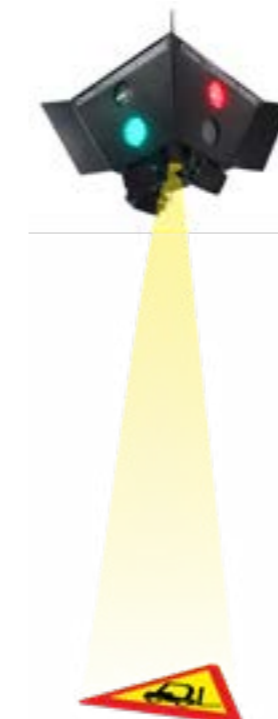
Due to its intense luminous projection, directly onto the area where circulation takes place, this safety solution proves highly effective in preventing incidents for workers. Therefore, the Crossing Guard is specifically designed for locations where different types of machinery and pedestrians with limited visibility or mobility coexist, or where there is a high volume of traffic, such as intersections, aisles, or warehouse entrances.

MODEL VARIATIONS



Model with Bluespot

- PNC00580** Crossing Guard 2s (2 sides with traffic lights)
- PNC00579** Crossing Guard 3s (3 sides with traffic lights)
- PNC00578** Crossing Guard 4s (4sides with traffic lights)



Model with VAS System

- PNC00583** Crossing Guard 2s (2 sides with traffic lights)
- PNC00582** Crossing Guard 3s (3 sides with traffic lights)
- PNC00581** Crossing Guard 4s (4sides with traffic lights)

OPERATING EXAMPLES



In the first case, a worker is approaching the intersection. The Crossing Guard system detects him, and it projects the Bluespot signal to warn those around him of the presence of a pedestrian.

The traffic light is off because the Crossing Guard does not detect any vehicle at this time.

In the second case, the Crossing Guard detects a forklift approaching the intersection. This turns the traffic lights green, giving priority to the approaching forklift and notifying the other aisles of the intersection with a red light that they are not allowed to circulate. This way, the Crossing Guard guarantees the safety of everyone involved and prevents possible collisions.



In the third case, the Crossing Guard has been configured to project a forklift alert signal using the VAS system. This way, when the Crossing Guard detects a person, it warns them of the presence of a forklift in his or her proximity.



SAFEYU

MAKING LOGISTICS SAFER AND SMOOTHER

SafeYu is a modern, practical, and powerful cloud-solution designed for logistics companies to enhance worker safety and minimize risks. Our range of products records all activities, which can be conveniently monitored through the SafeYu platform helping you make smart decisions.

INSIGHTS MADE CLEAR

The platform's shows helpful graphs that break down things like accidents, potential problems, and device status. It gives you overview and statistics to be able to identify risk areas in your locations as well as much other information you can register on doors. Creating your own safety scoreboard, for example!



COMPLETE WAREHOUSE SOLUTIONS

ACTIVE SAFETY IN YOUR WAREHOUSE

Our active safety products are purpose-built to enhance safety in the workplace. They employ cutting-edge technology to identify and mitigate potential hazards, creating a safer environment for all employees. Keeping a warehouse safe is a multifaceted

effort that requires continuous attention to training, equipment maintenance, proper organization, and comprehensive safety measures. Equipment maintenance is another crucial aspect. Regular inspections and upkeep of machinery, forklifts, and storage racks prevent accidents caused by malfunctioning equipment.



→ BLIND SPOT



→ PEDESTRIAN ALERT SYSTEM



→ COLLISION AVOIDANCE SYSTEM



→ CROSSING GUARD SYSTEM



→ TRUCK DOCKING SYSTEM



→ LOW SPEED AREA



→ TRAFFIC CONTROL SYSTEM



→ VISUAL ALERT SYSTEM



→ NARROW AISLE SAFETY



→ PEDESTRIAN CROSS SAFETY



A SAFER TOMORROW
■ SINCE 1955 →

TROAX®