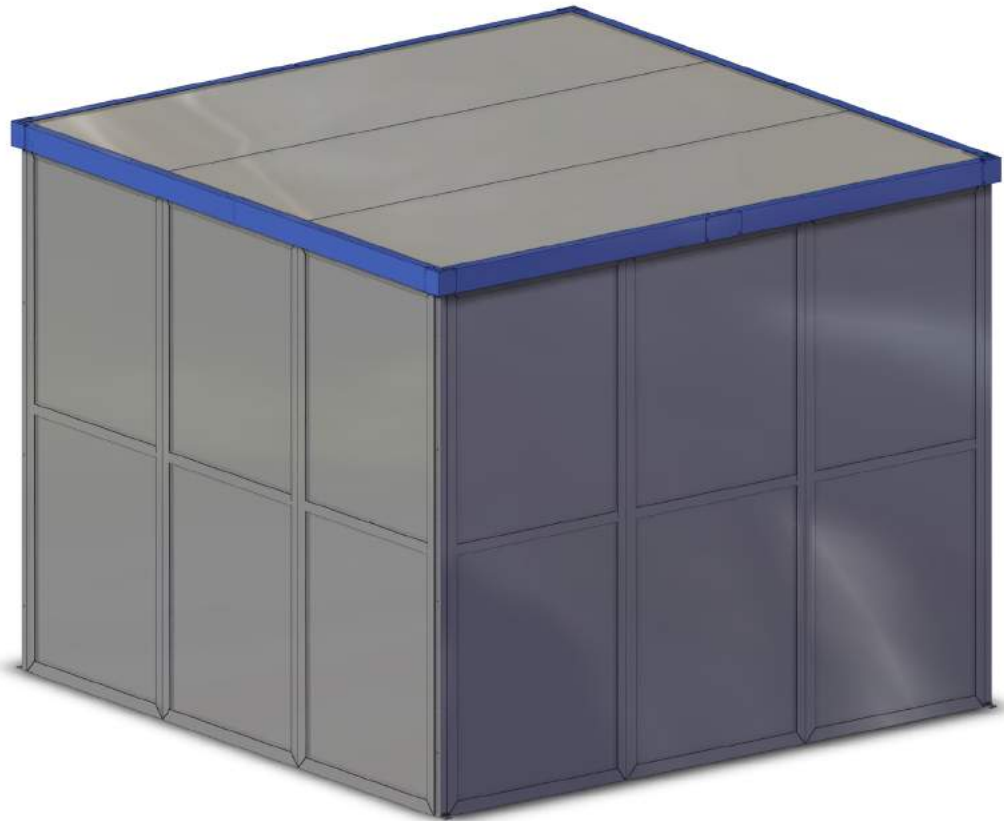




# Tro-Span Ceiling

## Installation Instructions



Drill with hammer action



Metal Shears



Hacksaw



Tape Measure



Pliers or Mole Grips



Spirit Level



File



Screwdriver



Adjustable Spanner



Set Square



Hammer

Troax Lee Manufacturing Ltd.  
Building 52, Third Avenue,  
Pensnett Trading Estate,  
Kingswinford, West Midlands,  
DY6 7XF

Telephone : +44 (0) 1384 277 441  
Facsimilie : +44 (0) 1383 273 627  
Email : [Info@Troax.com](mailto:Info@Troax.com)  
Web : [www.Troax.com](http://www.Troax.com)

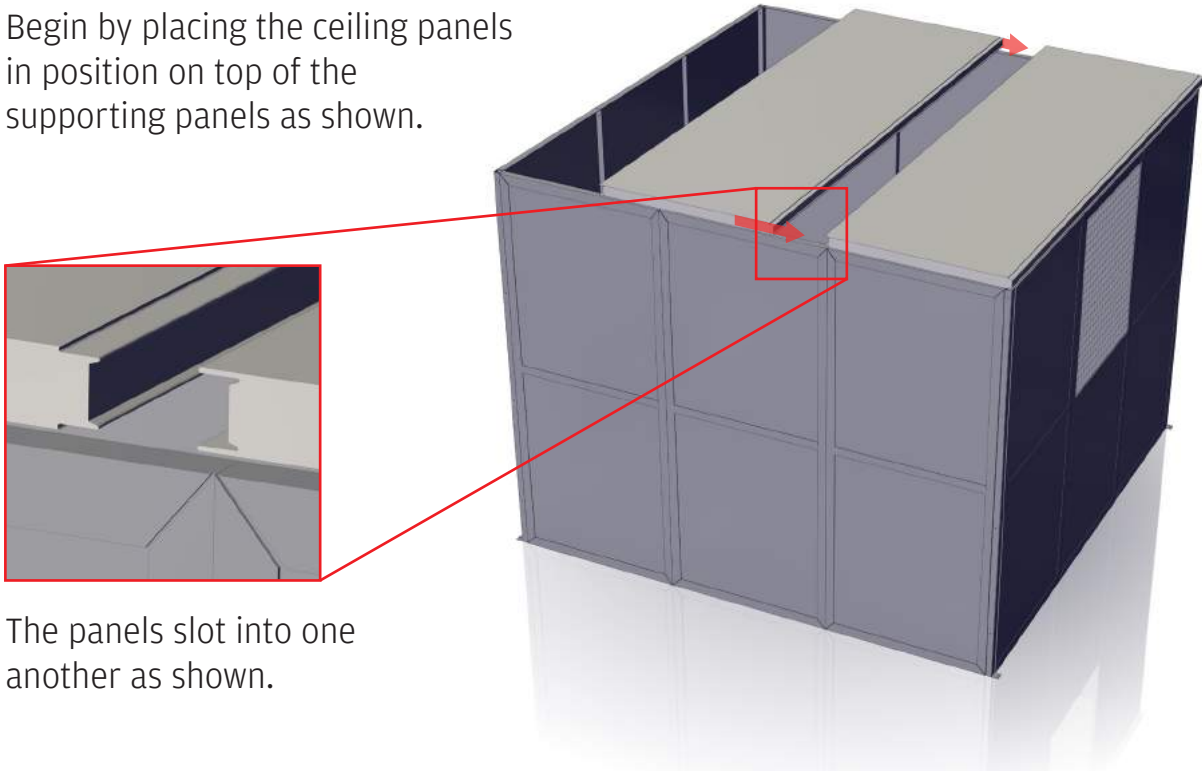


# Beginning Installation

Before installing the ceiling panels ensure that the supporting panels are installed correctly to the Troax install instructions.

## 1. Positioning Panels

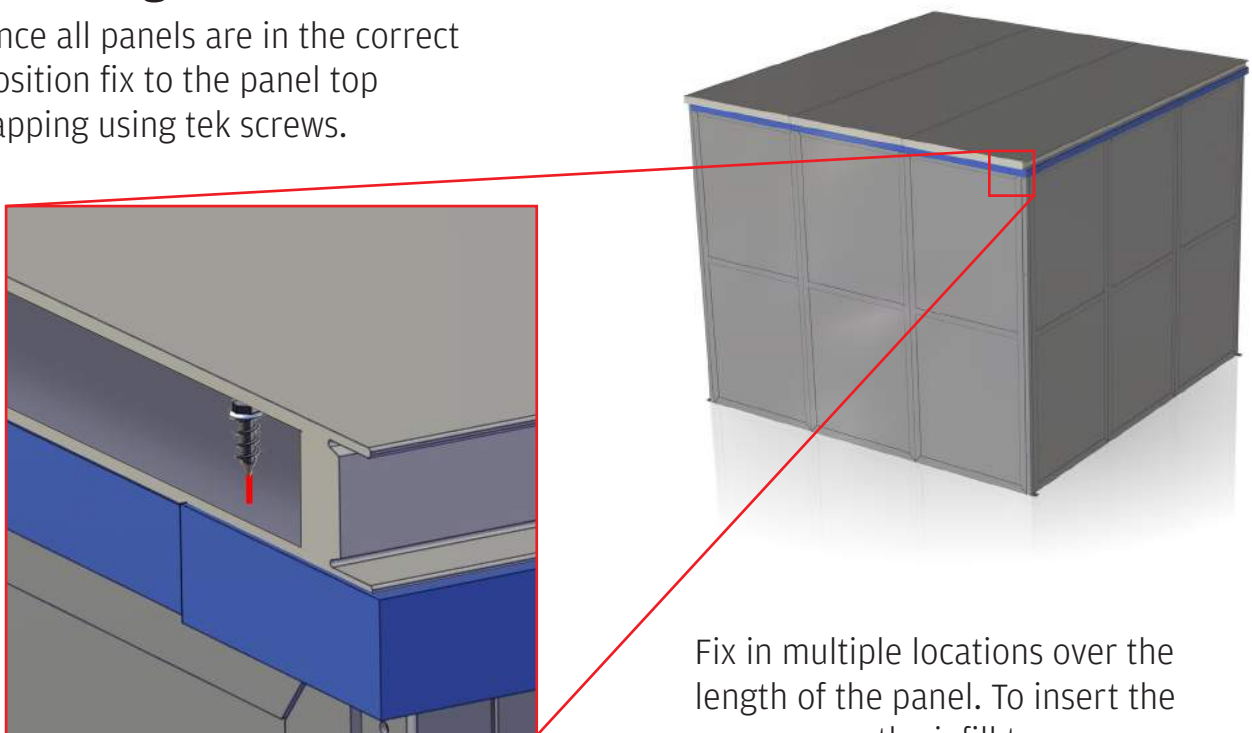
Begin by placing the ceiling panels in position on top of the supporting panels as shown.



The panels slot into one another as shown.

## 2. Fixing Panels

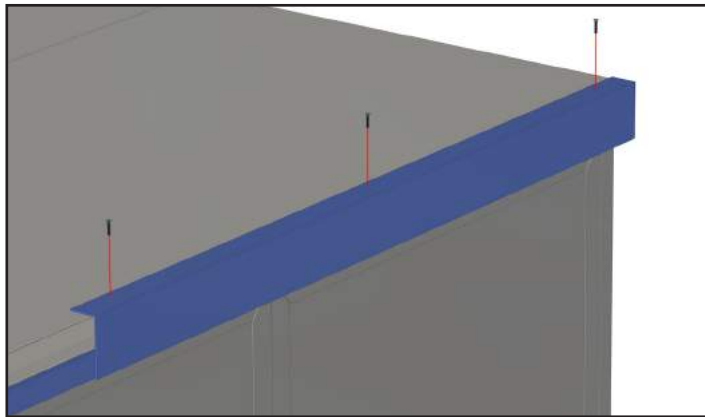
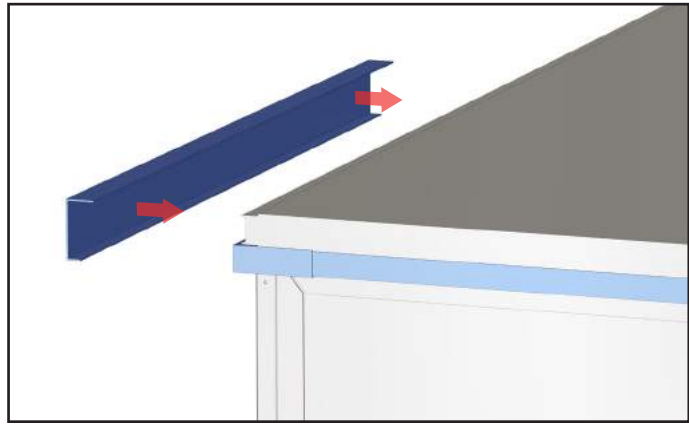
Once all panels are in the correct position fix to the panel top capping using tek screws.



Fix in multiple locations over the length of the panel. To insert the screw move the infill temporary.

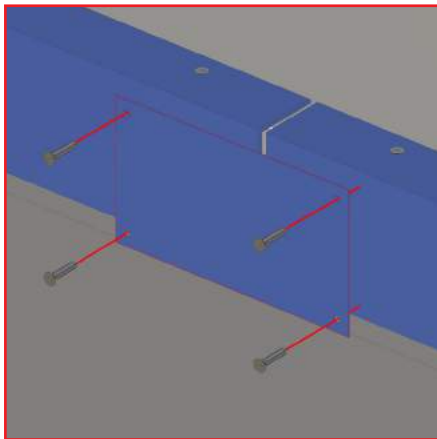
### 3. Installing Fascia

Slide the fascia panel over the edges of the ceiling panel as shown.

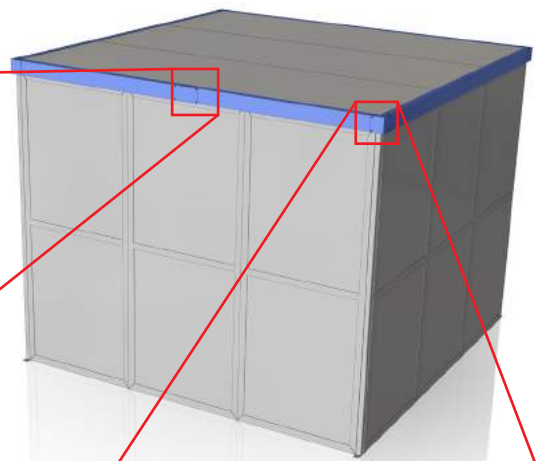


Fix the fascia to the ceiling panel using skirting screws through pre-drilled holes.

### 4. Fascia Junctions



Where two fascias meet on the same line, fix the fascia cover plate as shown using 4 skirting screws through pre-drilled holes.



Where two fascias meet on a corner, fix the fascia corner plate as shown using 8 skirting screws through pre-drilled holes.

