

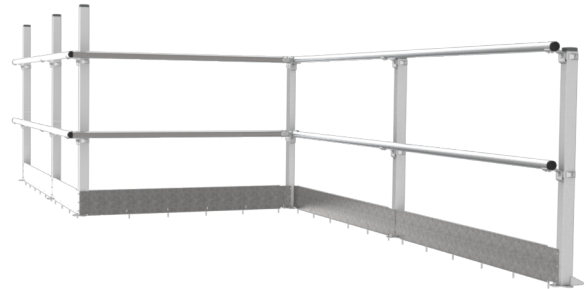
Handrail system for Smart Fix wall

Handrail is an option to the Smart Fix system, choose the handrail as an add on to meshwall, can also be installed without mesh panels and is independent of wall height. System is tested according to:

EN-14122 Safety of machinery - Permanent means of access to machinery, Part 3

DIN-1055 Action on support structure, Part 3

Above standards does not describe anything about the actual floor fixing, the fixation to floor or platform has to be verified by the installer or customer as Troax cannot guarantee the quality of the floor material.



FACTS

System Posts

Post 60x40 x1,5 mm

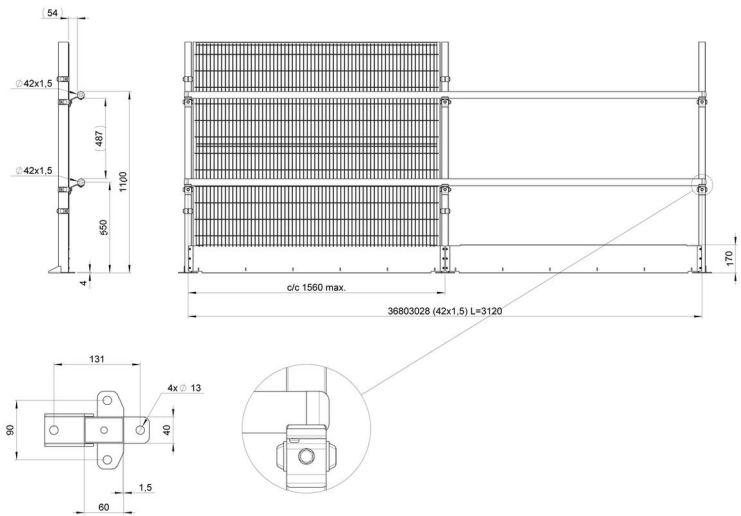
- 1400 mm height
- 2200 mm height
- 3000 mm height

Standard colour is grey RAL7037 and black RAL9005. Height 1400 mm and 2200 mm is also available in RAL1018. Any colour of your choice can be offered.

System components

36700074	Kit Bracket SmF
36803028	Tube handrail L=3120
36803100	Kit handrail
36803200	Kit Corner Handrail
36803400	Kit Splice handrail
89200105	End knob 42mm Black

All brackets are made of steel, pre-galvanized or zink plated.



System Panels

ST20	Mesh
ST30	Mesh
STPC	Polycarbonate
URSP	Full Steel
UR350	Mesh
UX450	Mesh

For details of each panel type, see separate product sheet

