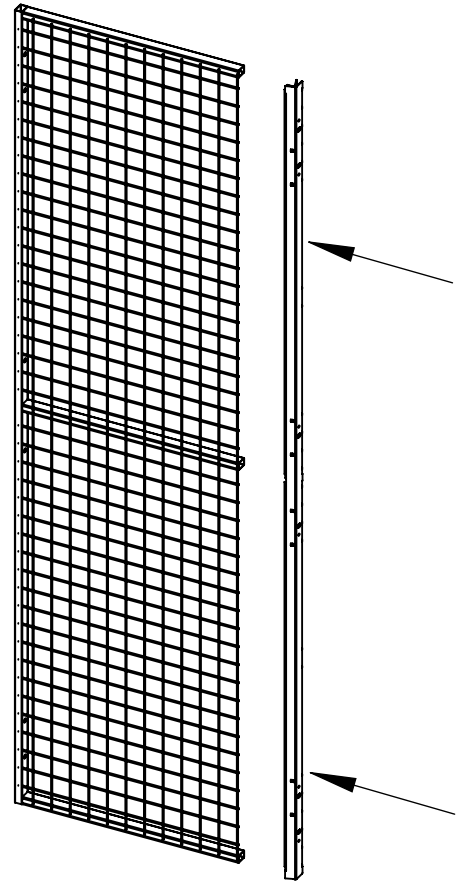
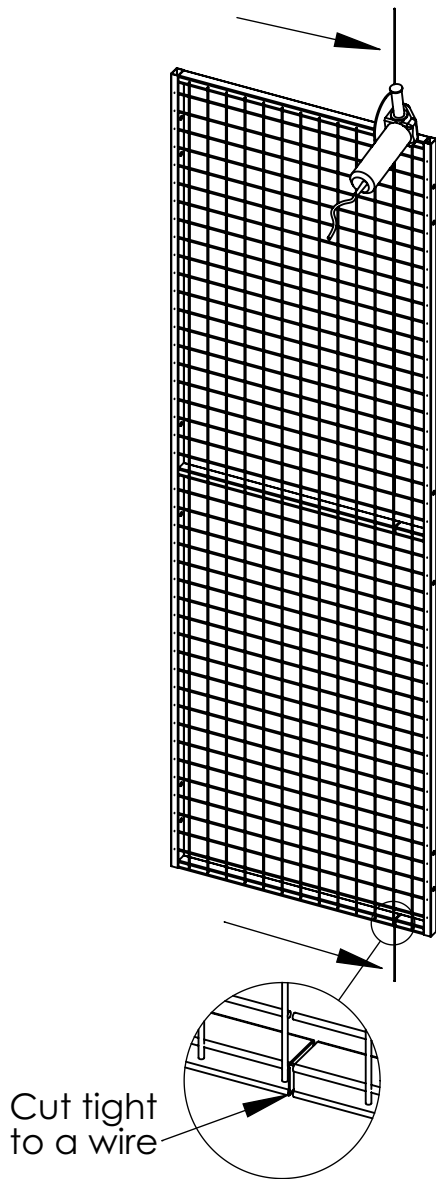


Follow Me

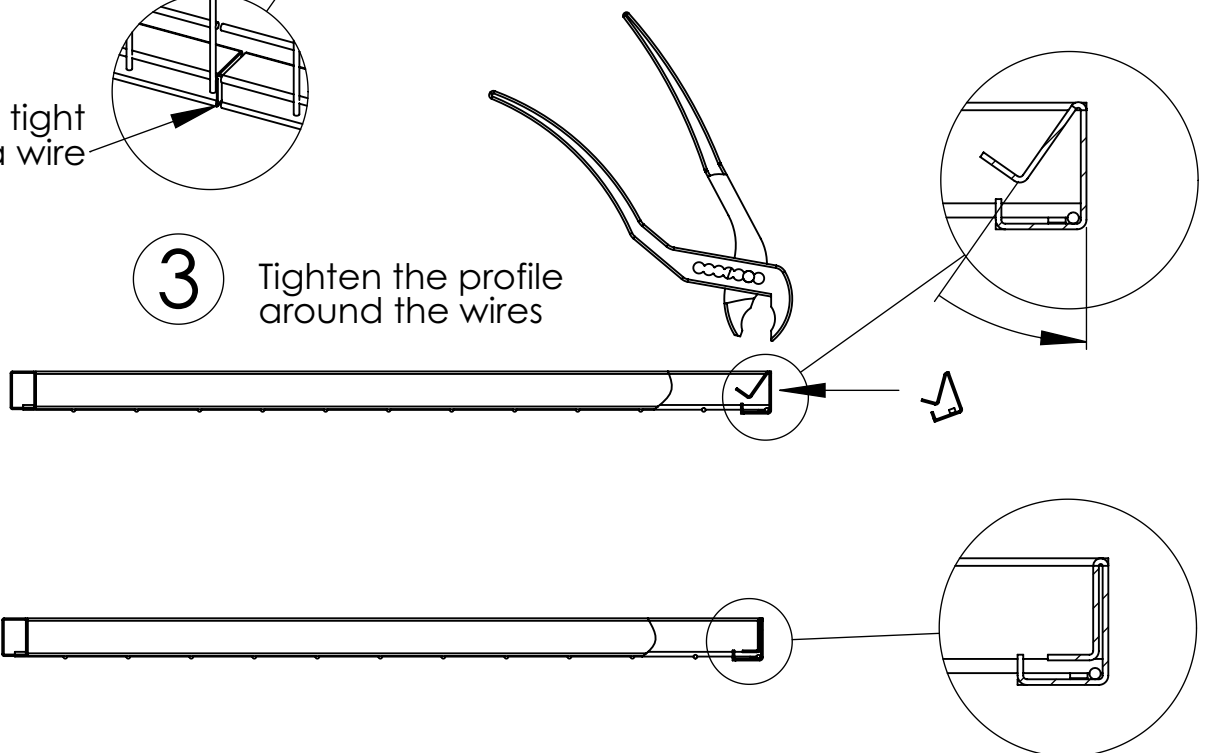
UR / UX

1 Cut a standard panel

2 Add the end profile



3 Tighten the profile around the wires

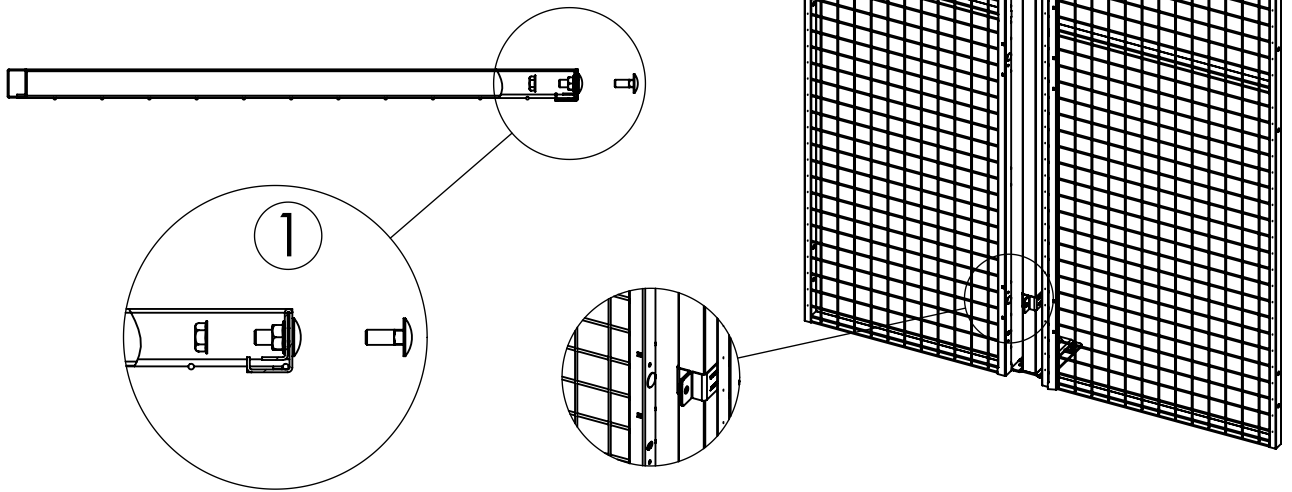


Alternative Fixings:

Follow Me

Alternative 1

Caelum system - where panels are bolted together. Before fixing the panels together, lock the profile with bolts in holes not used for fixing. Don't use END profile next to a door in this system



Alternative 2

Cetus system - Where panels are installed with foot and snapper, lock the panel with self drilling screws (6 pcs) into the next panel. Don't use snapper together with the END.

