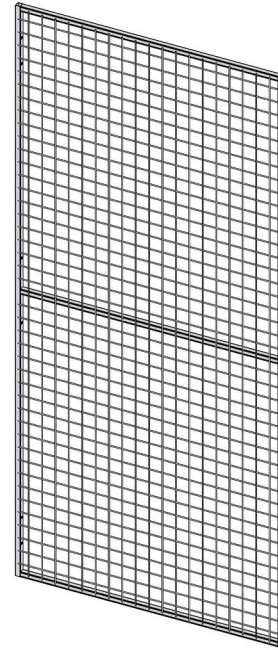


Mesh Panel UR 350

Caelum mesh partitioning is a modular system available in various widths and heights that is suitable for industrial storage applications. Mesh panels can be modified on-site to fit any space, providing security where required. Panels are constructed with a tubular welded frame that provides added strength. The system is fully demountable and relocatable, and allows natural light and ventilation. Panels are supplied powder coated as standard with a grey RAL 7037 finish; however other RAL colors are available upon request. Panels can also be supplied hot dip galvanized for external use or in cold storage areas.



FACTS

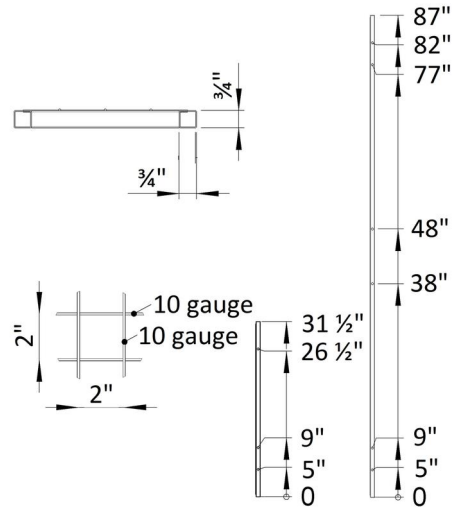
Panel Dimensions wall section

Panel Height (inches)	Panel Width (inches)
87"	8"
87"	12"
87"	27 1/2"
87"	31 1/2"
87"	39 1/2"
87"	47"
87"	59"

Panel Dimensions top section

Panel Height (inches)	Panel Width (inches)
31 1/2"	8"
31 1/2"	12"
31 1/2"	27 1/2"
31 1/2"	31 1/2"
31 1/2"	39 1/2"
31 1/2"	47"
31 1/2"	59"

Mesh size: 2" x 2", tube 3/4" x 3/4", wire 10 gauge



ACCESSORIES

Cut profile	various length to use after cut height on site
END profile UR/UX L=87"	various length to use after cut length on site
U-profile UR 3/4"x3/4"x87"	various length to use after cut on site
Floor fixing UR	end and middle wall
Roof fixing UR/UX	In length 19 1/2" and 39 1/2"

