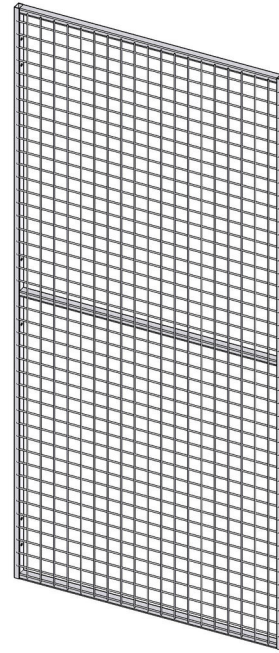


Mesh Panel UX 450

Caelum mesh partitioning is a modular system available in various widths and heights that is suitable for industrial storage applications. Mesh panels can be modified on-site to fit any space, providing security where required. Applications can range from 800 mm high to a complete floor to ceiling wall. Panels are constructed with a sturdy welded frame that provides added strength. The system is fully demountable and relocatable, and allows natural light and ventilation. Panels are supplied powder coated as standard with a grey RAL 7037 finish; however other RAL colors are available upon request. Panels can also be supplied hot dip galvanized for external use or in cold storage areas.



FACTS

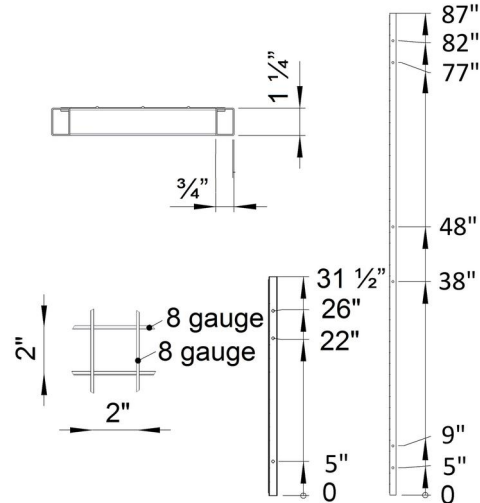
Panel Dimensions wall section

Panel Height (inches)	Panel Width (inches)
87"	8"
87"	12"
87"	27 1/2"
87"	31 1/2"
87"	39 1/2"
87"	47"
87"	59"

Panel Dimensions top section

Panel Height (inches)	Panel Width (inches)
800	8"
800	12"
800	27 1/2"
800	31 1/2"
800	39 1/2"
800	47"
800	59"

Mesh size: 2"x2" mm, tube 1 1/4" x 3/4", wire 8 gauge



ACCESSORIES

Cut profile	various length to use after cut height on site
END profile UR/UX L=87"	various length to use after cut length on site
U-profile UR 3/4"x3/4"x87"	various length to use after cut on site
Floor fixing UR	end and middle wall
Roof fixing UR/UX	In length 19 1/2" and 39 1/2"

