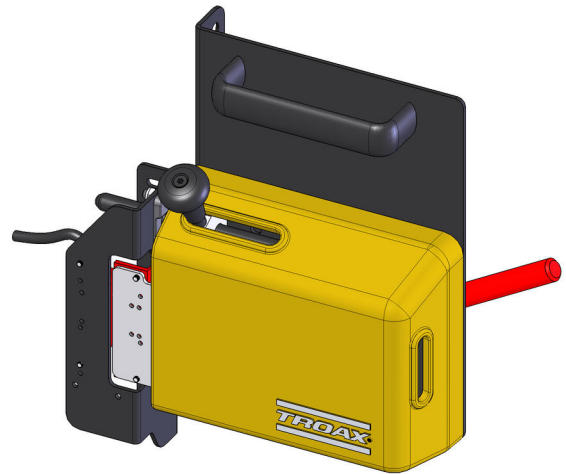


Safe Lock Performance Level e

The Safe Lock is designed to protect your personnel and to keep your production running. It's built to fit many different switches so you can easily find the best solution for your production environment. Use our Safe Lock PLe for medium to high risk applications where the machine stops immediately when the door is opened.

The result of the risk assessment determines the required performance level of your safety control system. The performance level is a measure of the reliability and architecture of a safety function using a scale from "a" to "e" with "e" being the highest level.

Further information about performance level is available in EN ISO 13849-1.



FACTS

Dimensions (approx.)

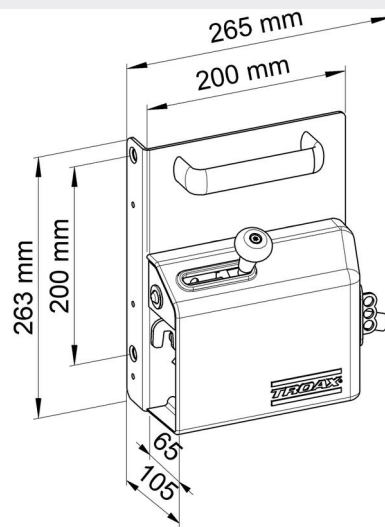
W x H x D

200 mm x 263 mm x 105 mm

The Safe Lock is easily mounted on the following door types;

- hinged door
- double hinged door
- sliding door
- double sliding door
- double rail sliding door
- linear door
- telescopic door, telescopic hinged door
- folding door
- sliding door on wheels

The actuator for proximity switches is supplied with the switch and not mounted in the Safe Lock from factory.



SAFETY SWITCHES

Guardmaster Sensaguard



ABB/Jokab Eden



Pilz cs 3.1



Euchner CES-AP-CL/CR2

