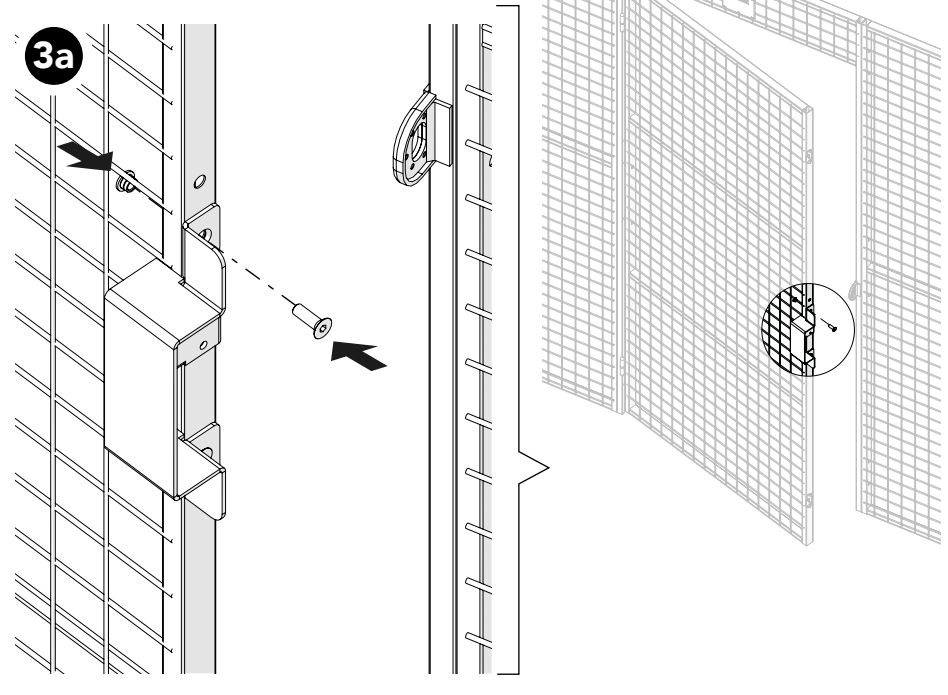
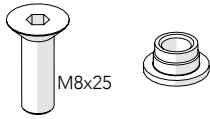


Kit cover for sec. plate

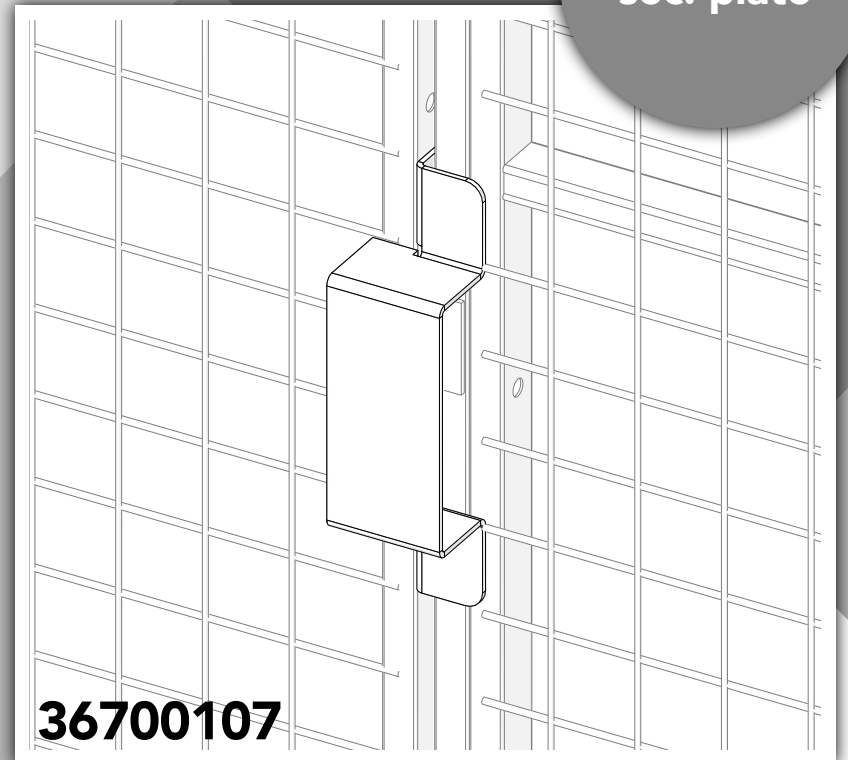


Art no: 88754760 ver. 01



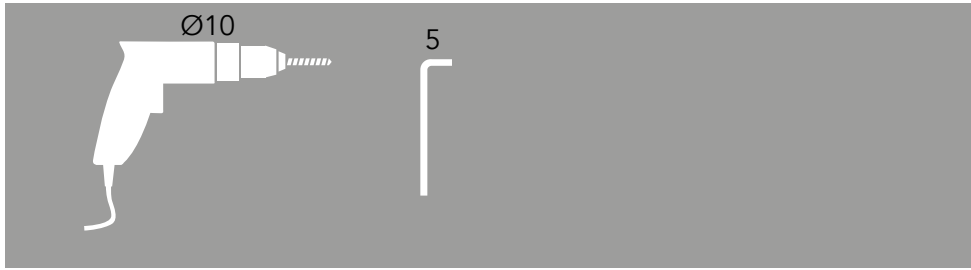
Property protection

Kit cover for sec. plate

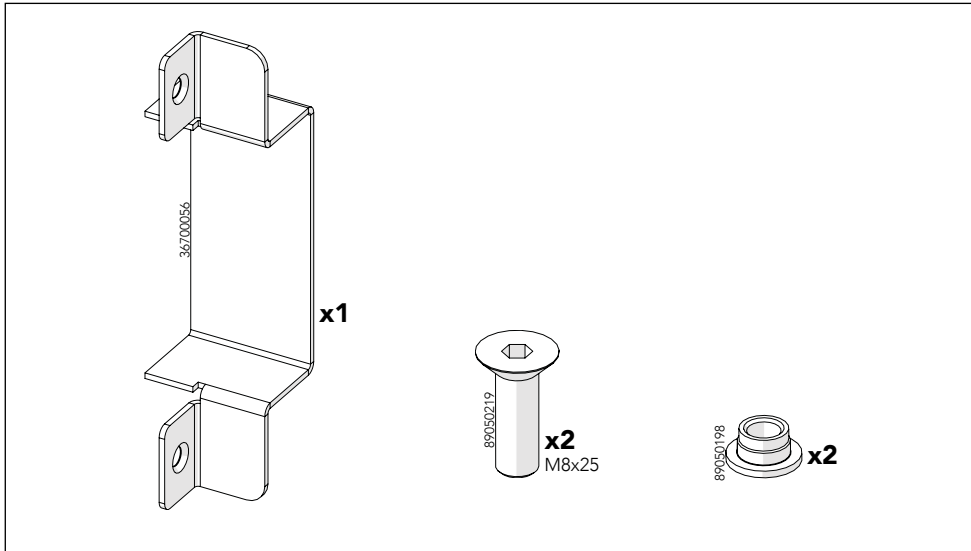


Art no: 88754760 ver. 01 Print no: 201910-5915-EN

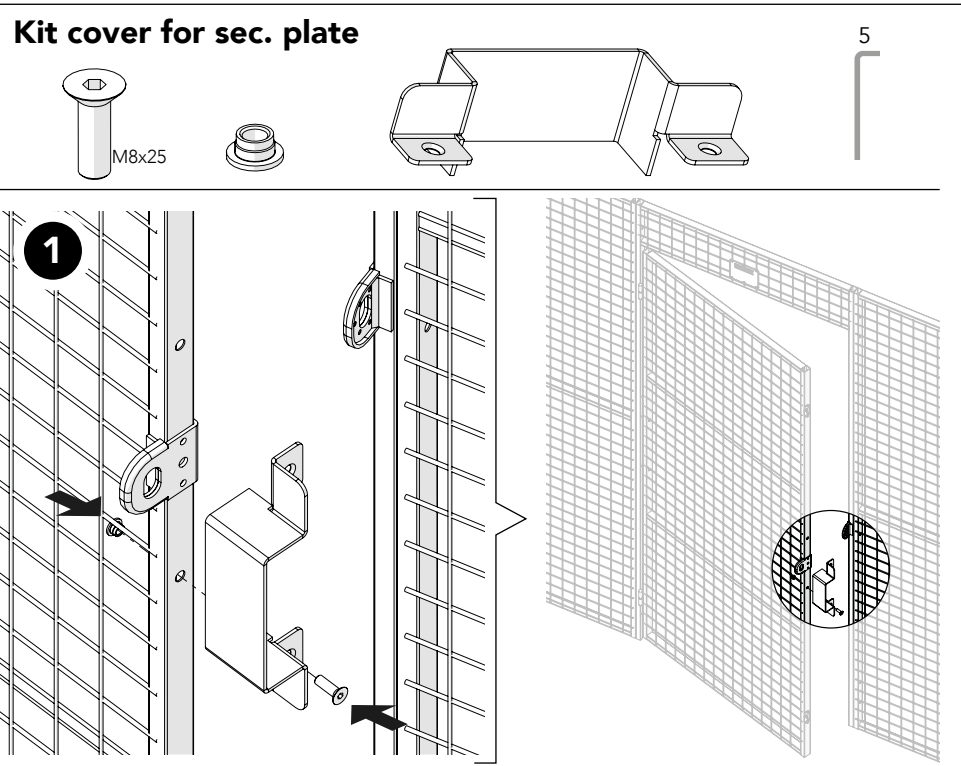




Kit cover for sec. plate 36700107



Art no: 88754760 ver. 01



Art no: 88754760 ver. 01

