

Art no: 88754701 ver. 01

Art no: 88754701 ver. 01

Print no: 201706-5739-EN

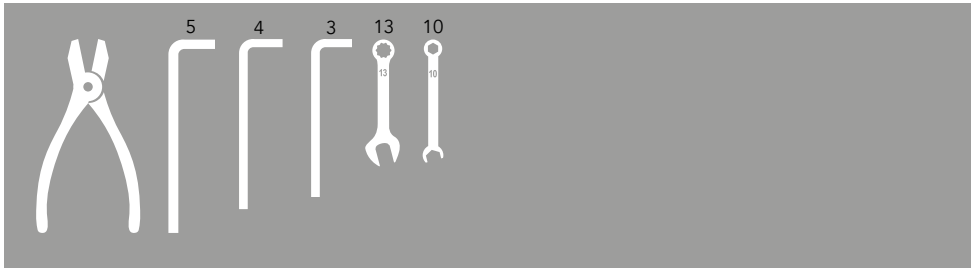
TROAX

Machine
guarding

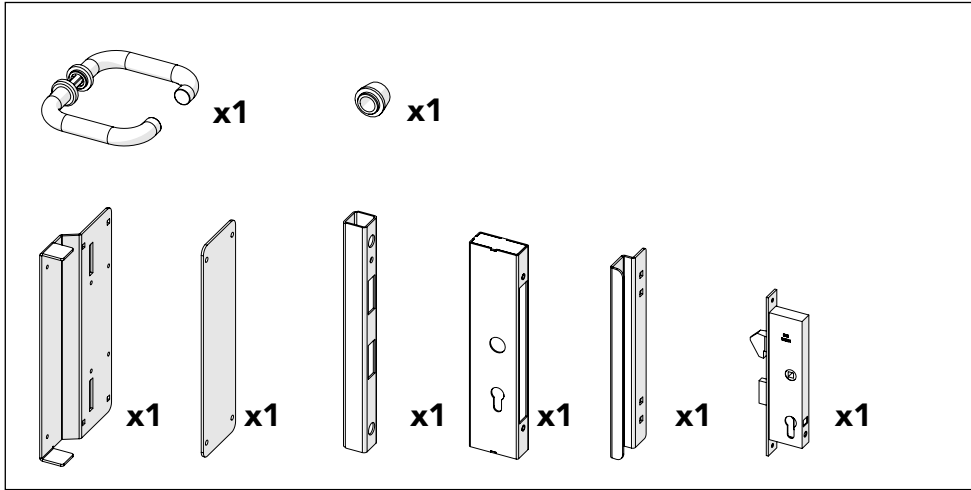
EC Lock
Sliding Door



Kit 36905720



Kit EC Lock Sliding Door



Art no: 88754701 ver. 01

