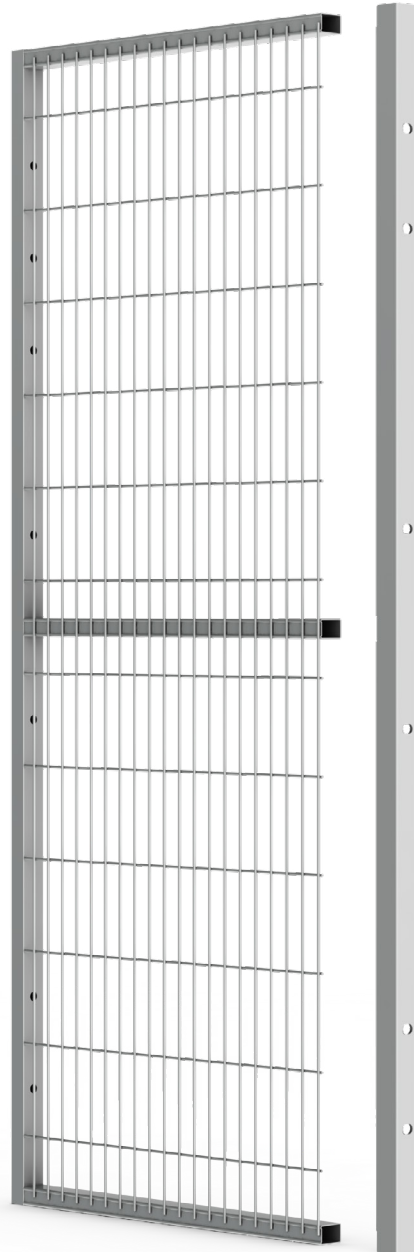
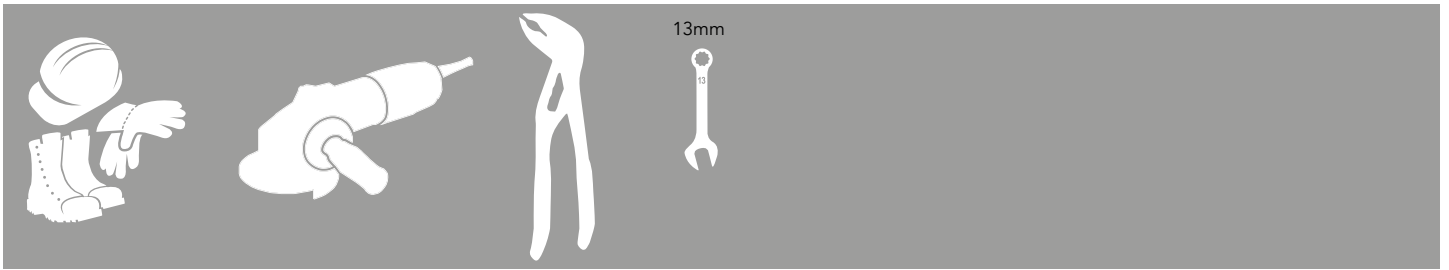


ASSEMBLY INSTRUCTION
– JUST FOLLOW ME

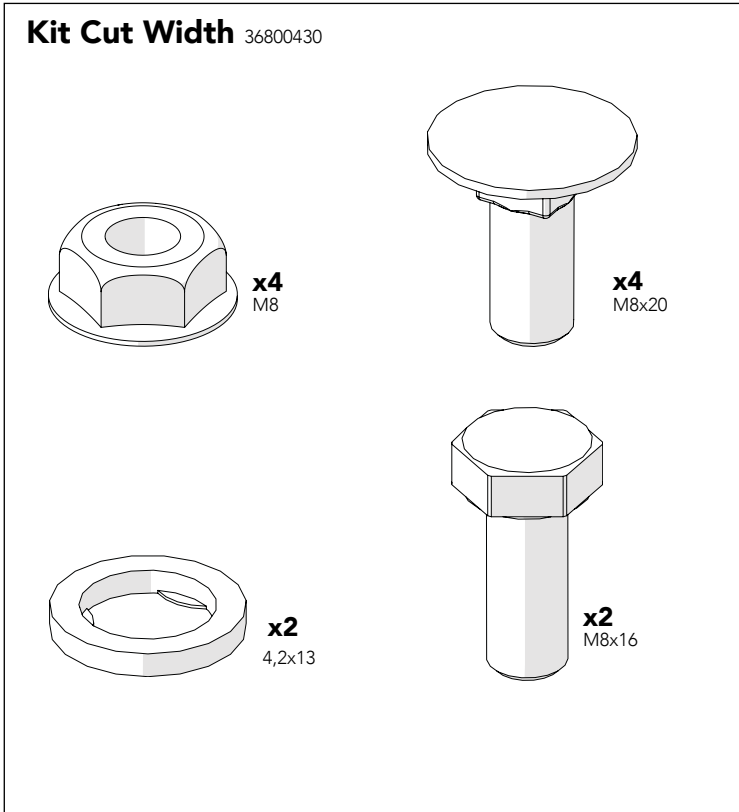
CUT PROFILE WIDTH 2050, 1250, ST20/ST30

KIT 36800430





Kit Cut Width



Art no: 88754036 ver. 002

Print no: 202108-4419-EN

Art no: 88754036 ver. 002

