

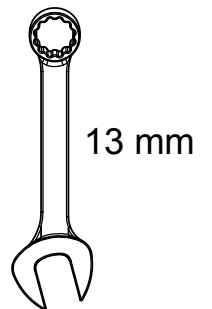
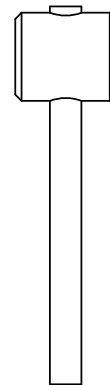
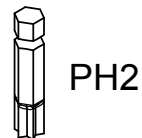
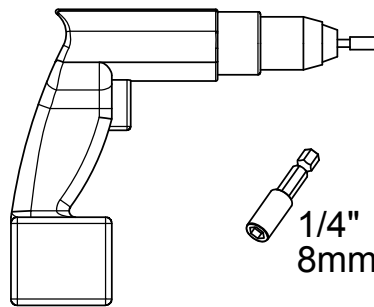
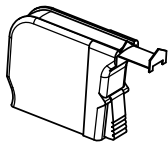
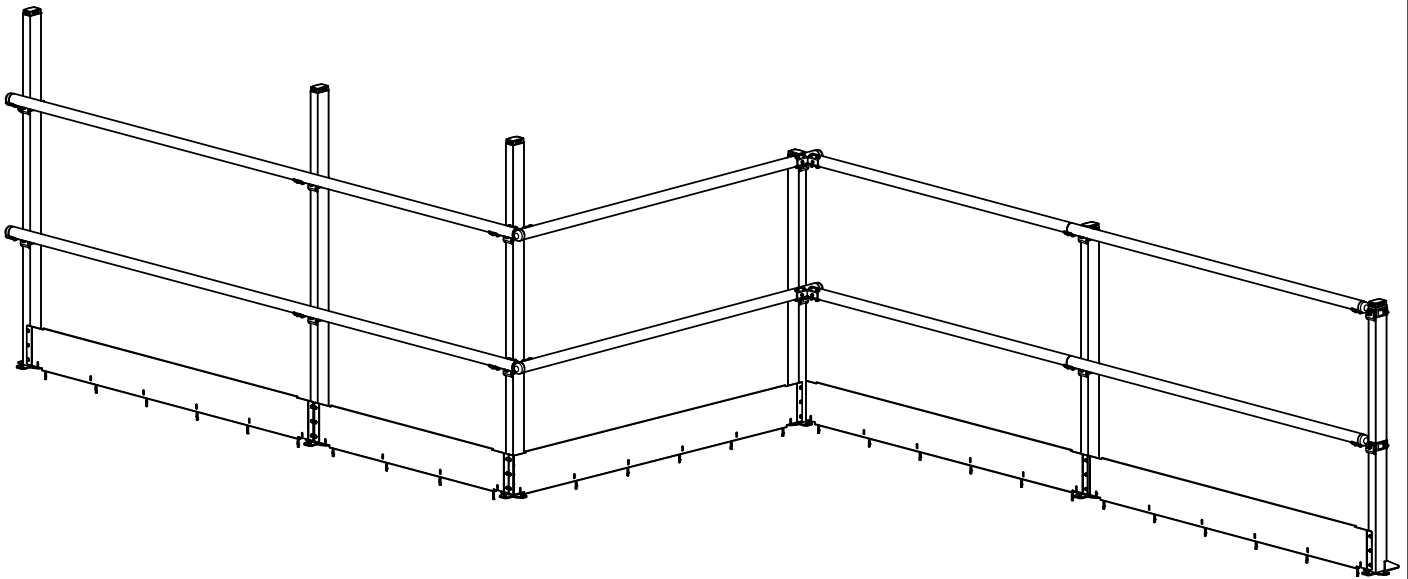


Follow Me

Mezzguard

Mezzguard

Kit Mezzguard  
36803100



SmartTeam ID: 00048870



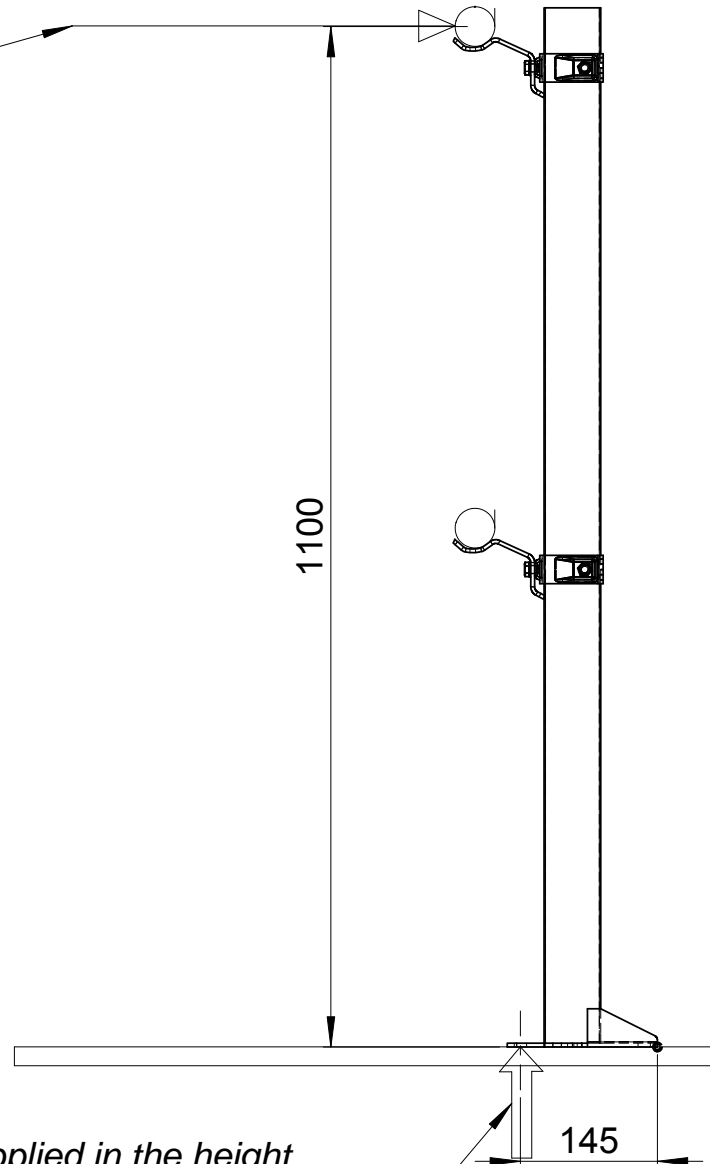
### Warning!

For safe mounting of the guard rail onto the floor please ask a specialized shop with information of your floor substance and max. load capacity for a suitable screw or crew/dowel combination

Zur sicheren Befestigung des Geländers am Boden erkundigen Sie sich bitte im Fachhandel unter Angabe der vorhandenen Bausubstanz und der max. last nach der geeigneten Schrauben, bzw. Schrauben/Dübel-Kombination.

Horizontal force according to EN/ISO 14122-3:

Force usage (point load): 468N  
Force strength(point load): 819N



*Example:  
If force 819N is applied in the height  
of the rail, the total force on the floor  
fixing will be 575 kg.*

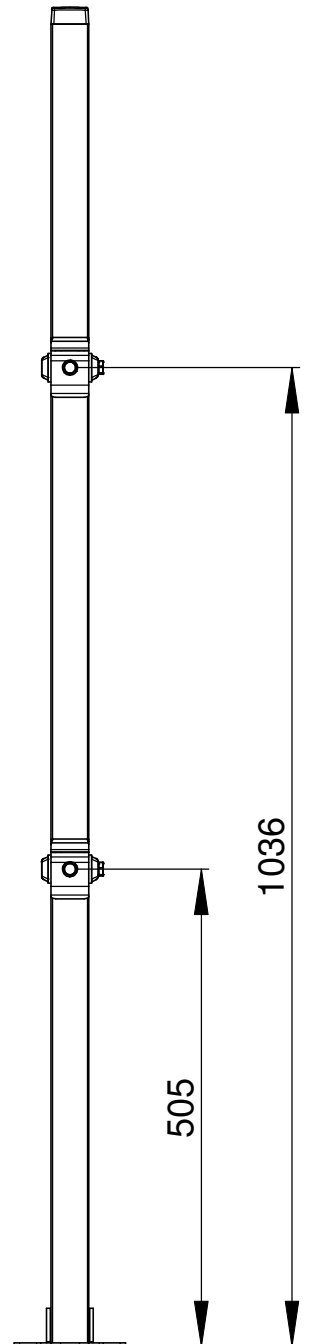
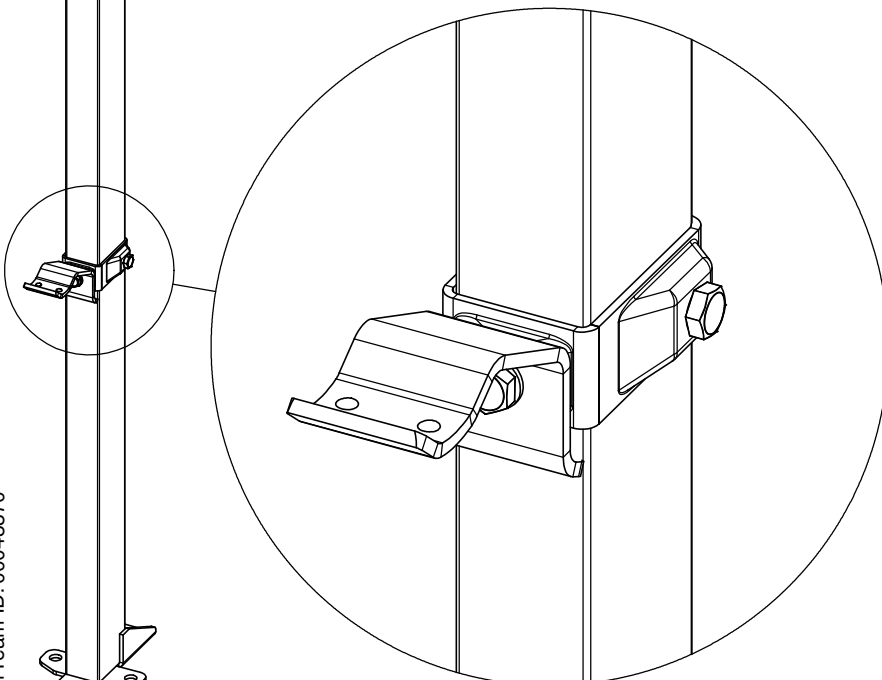
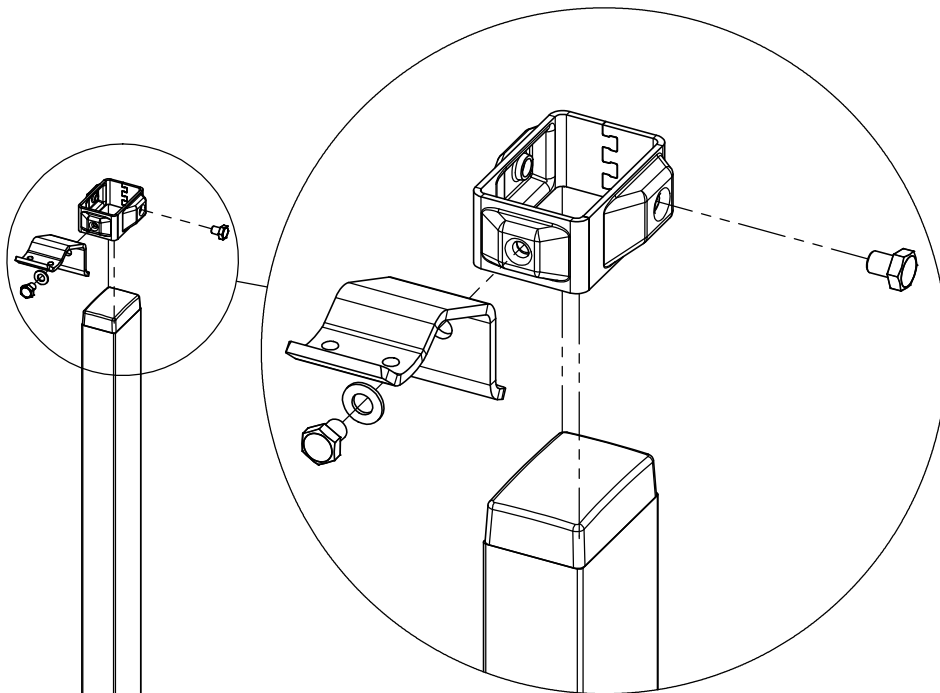
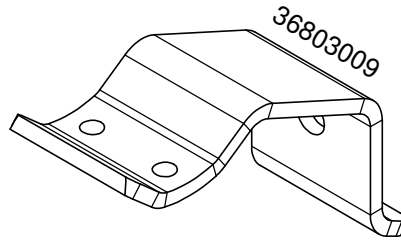
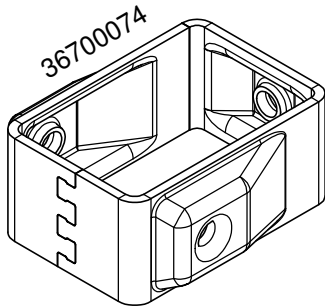
$$(819 \times 1100) / 145 = 5648N = 575 \text{ kg.}$$



Follow Me

Mezzguard

Mezzguard



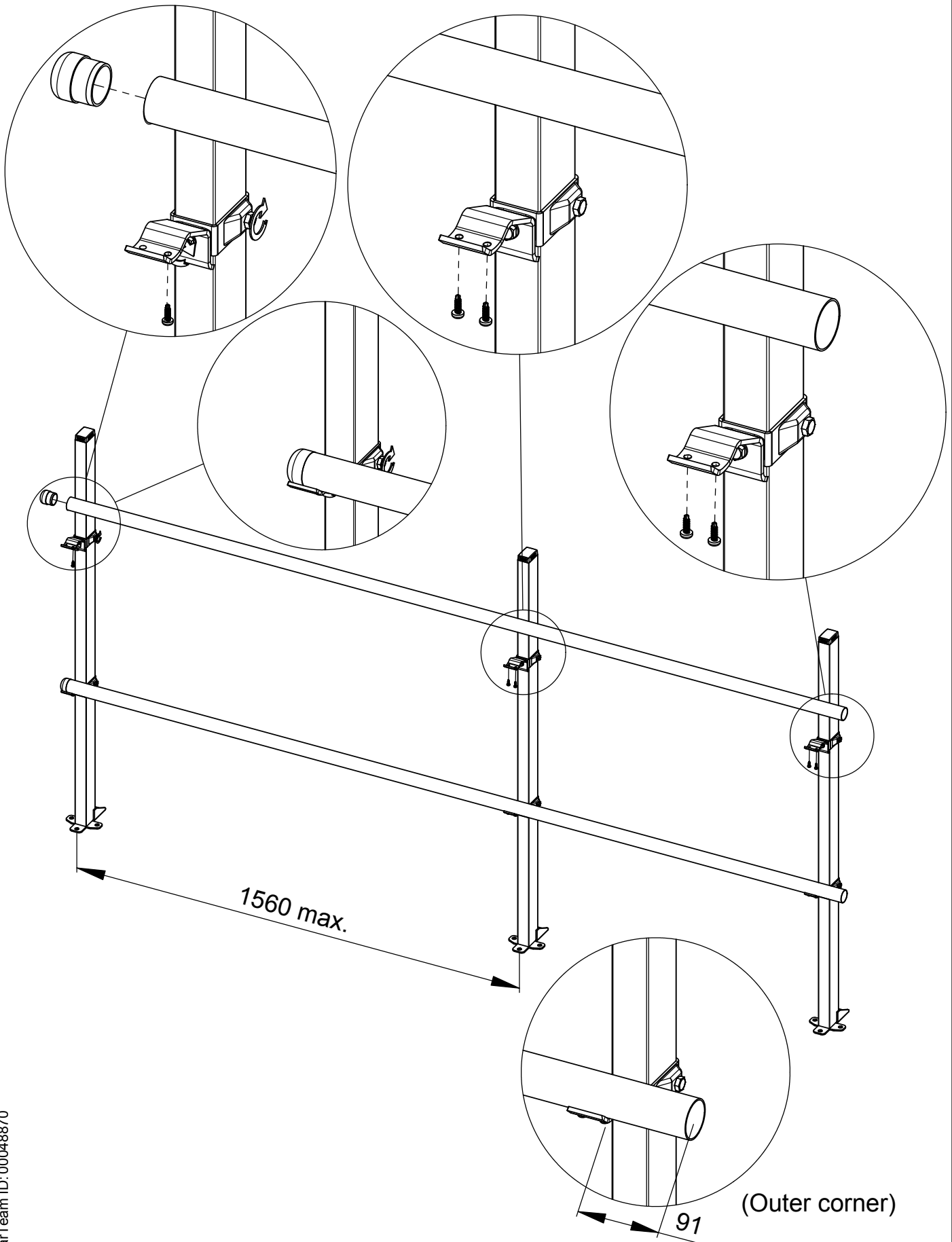
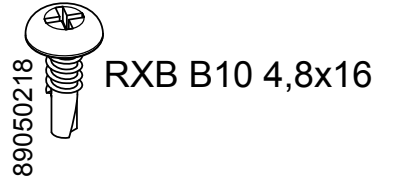
SmartTeam ID: 00048870



Follow Me

Mezzguard

Mezzguard



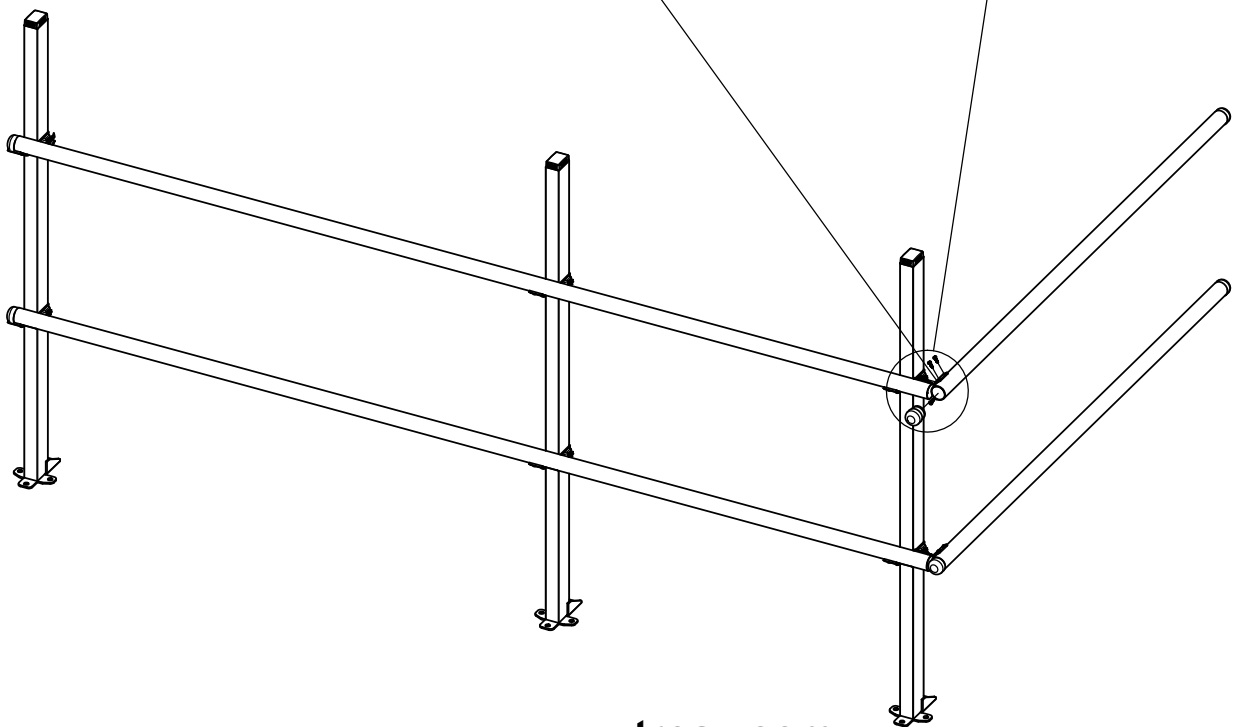
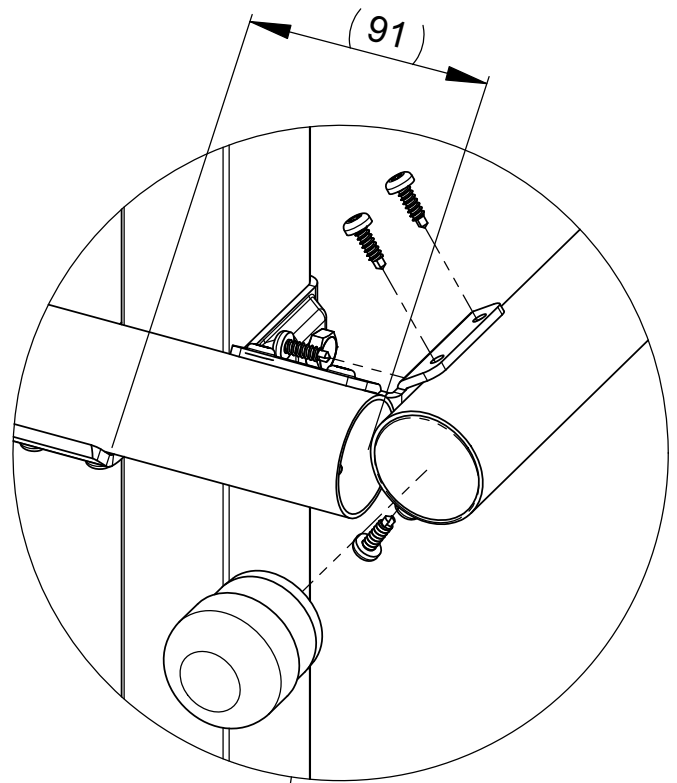
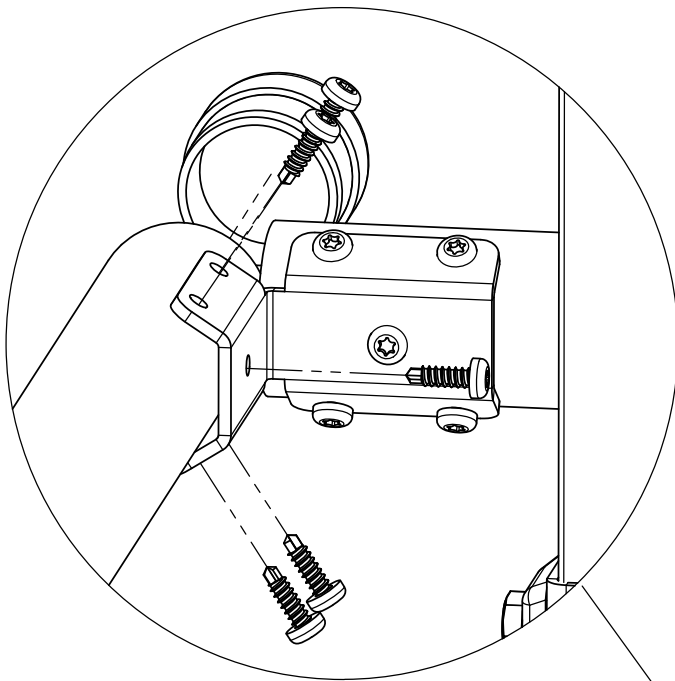
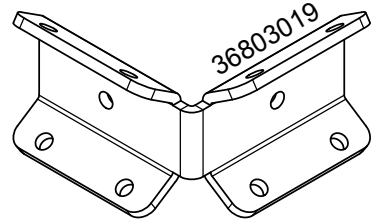
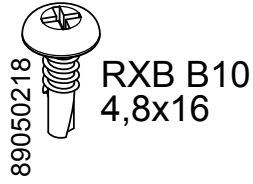
SmartTeam ID: 00048870



Follow Me

# Mezzguard Mezzguard

36803200 Kit Corner Mezzguard



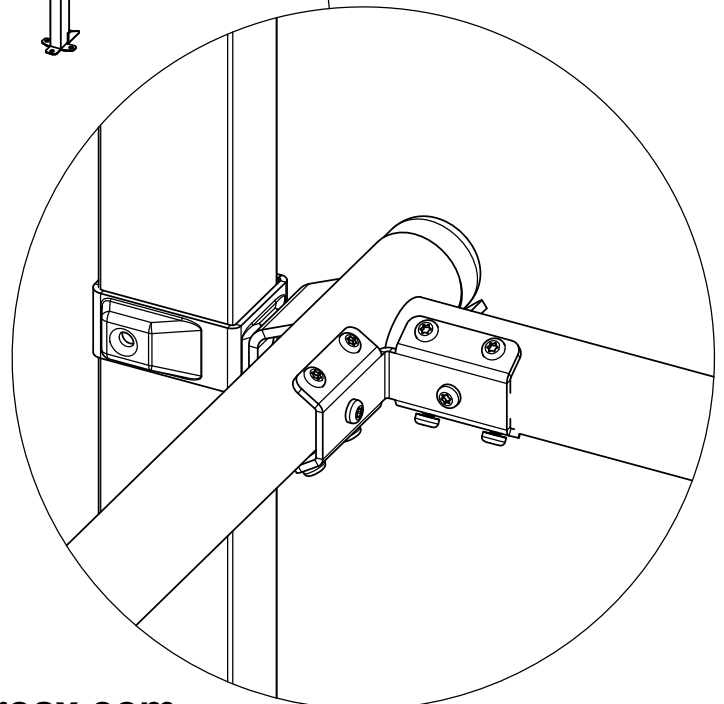
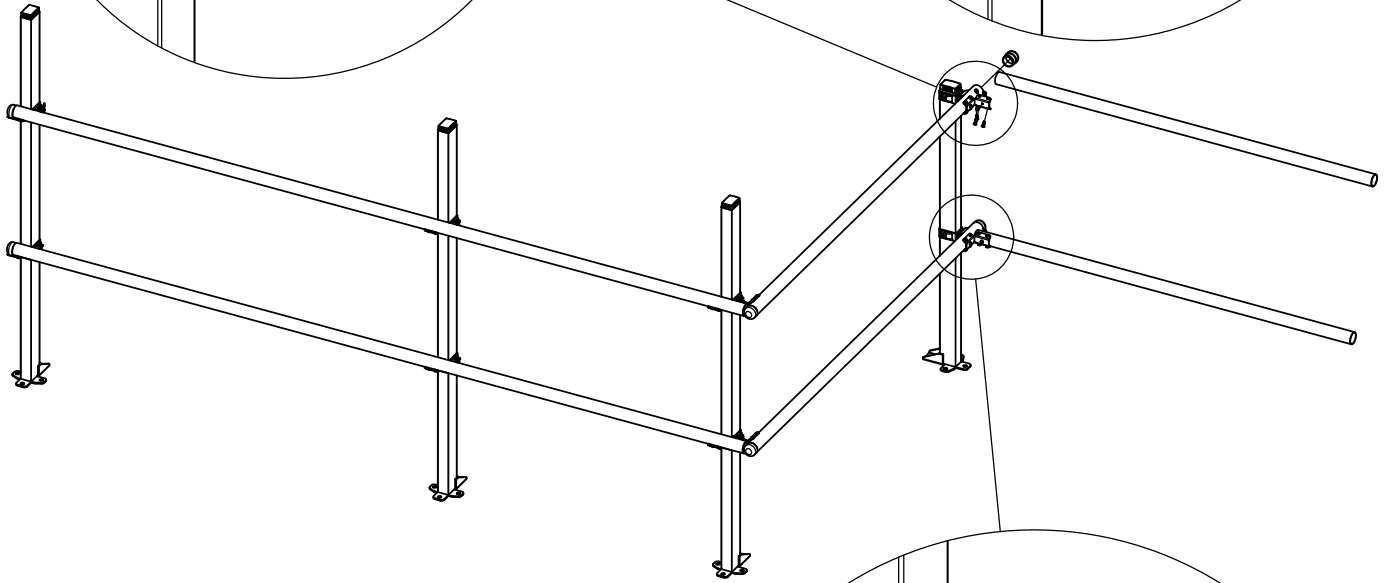
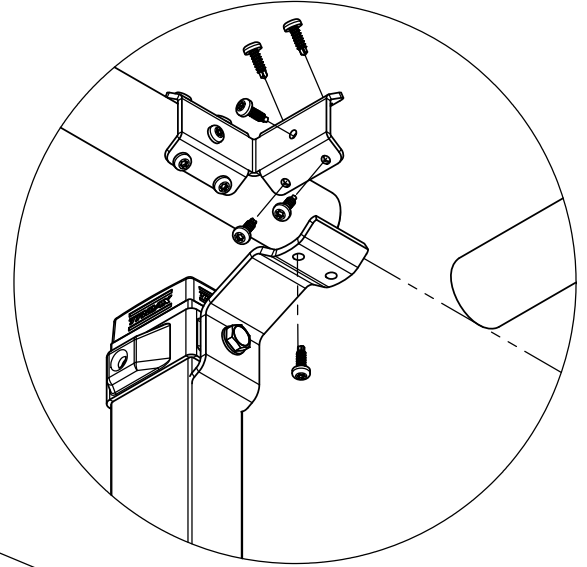
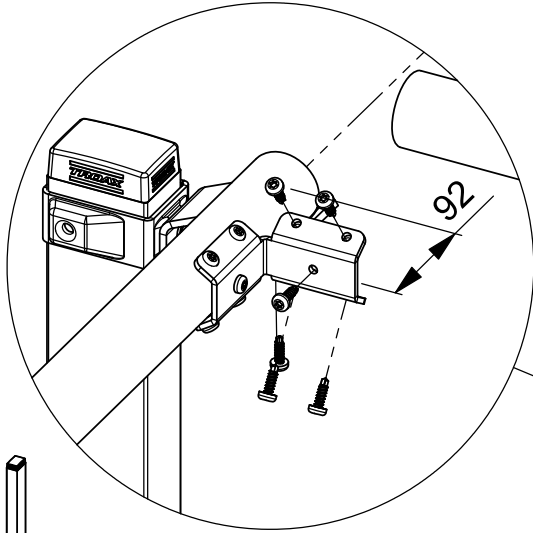
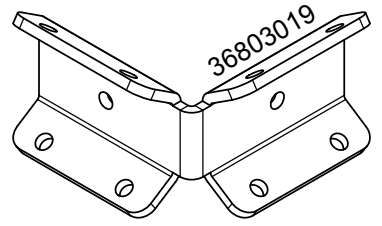
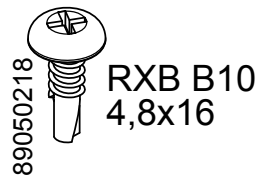
SmartTeam ID: 00048870

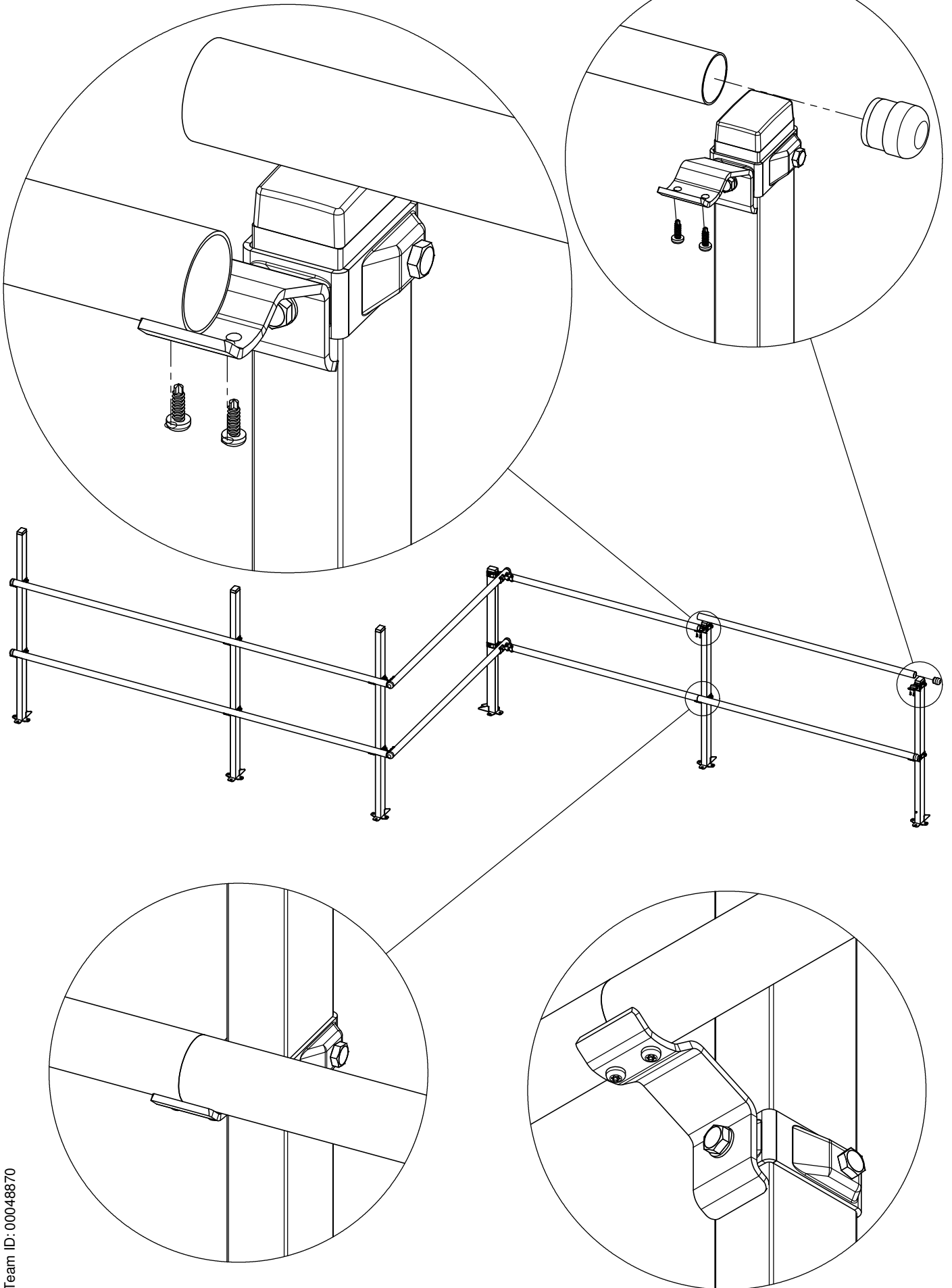


Follow Me

# Mezzguard Mezzguard

36803200 Kit Corner Mezzguard







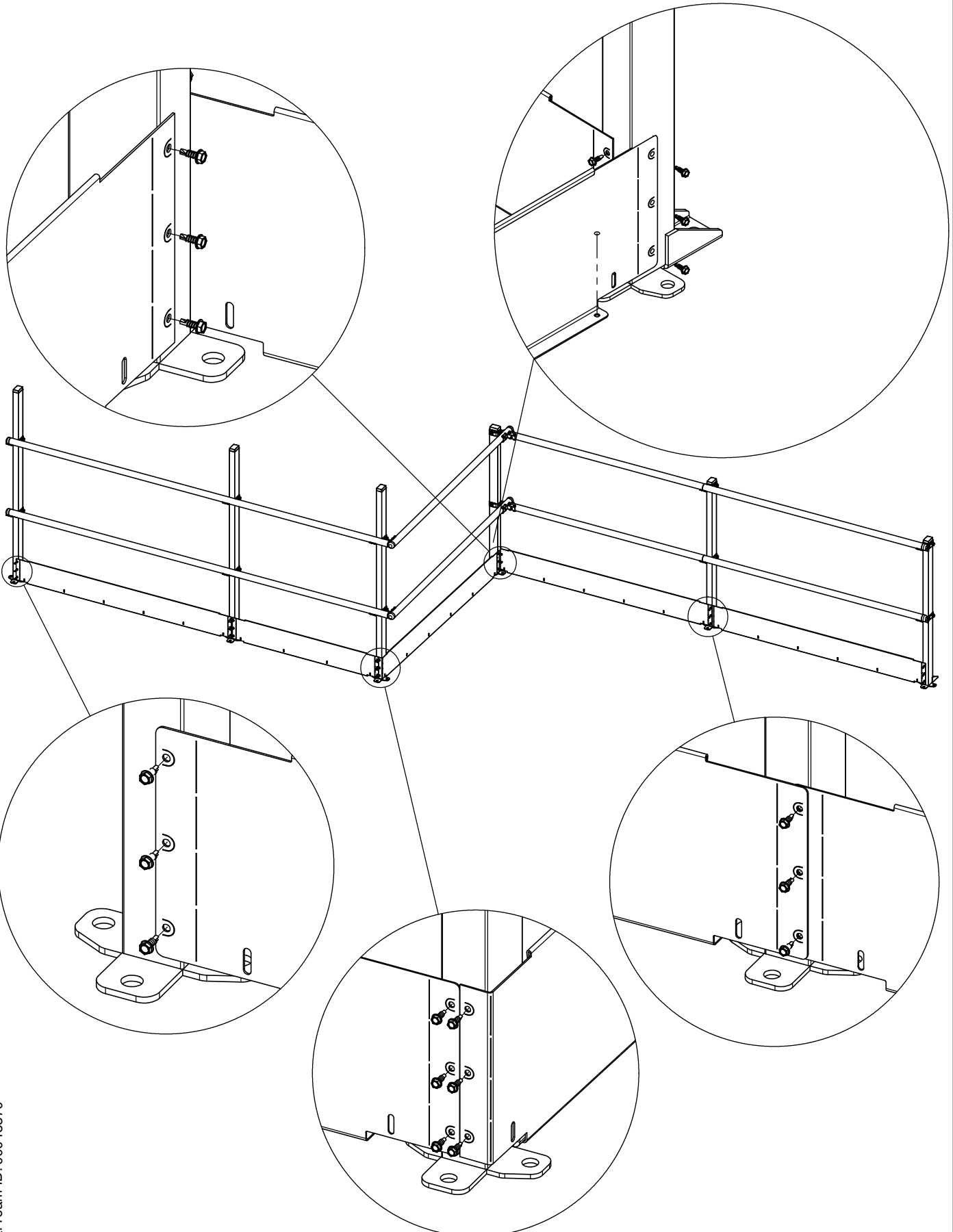
Follow Me

Mezzguard

Mezzguard Kickplates

4,2x13

20500300  
(100pcs)



SmartTeam ID: 00048870



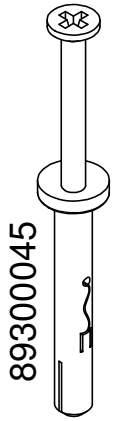
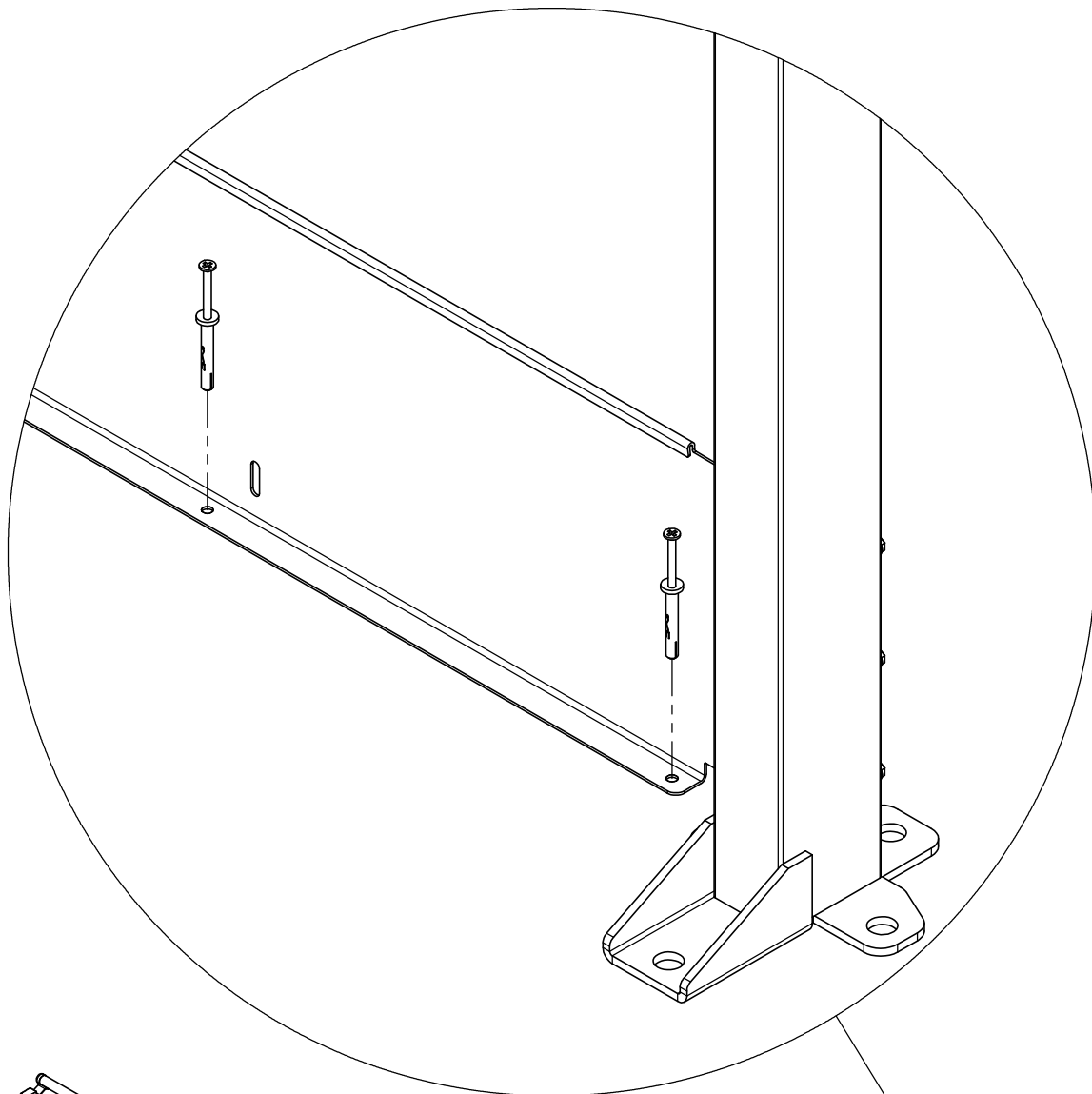


Follow Me

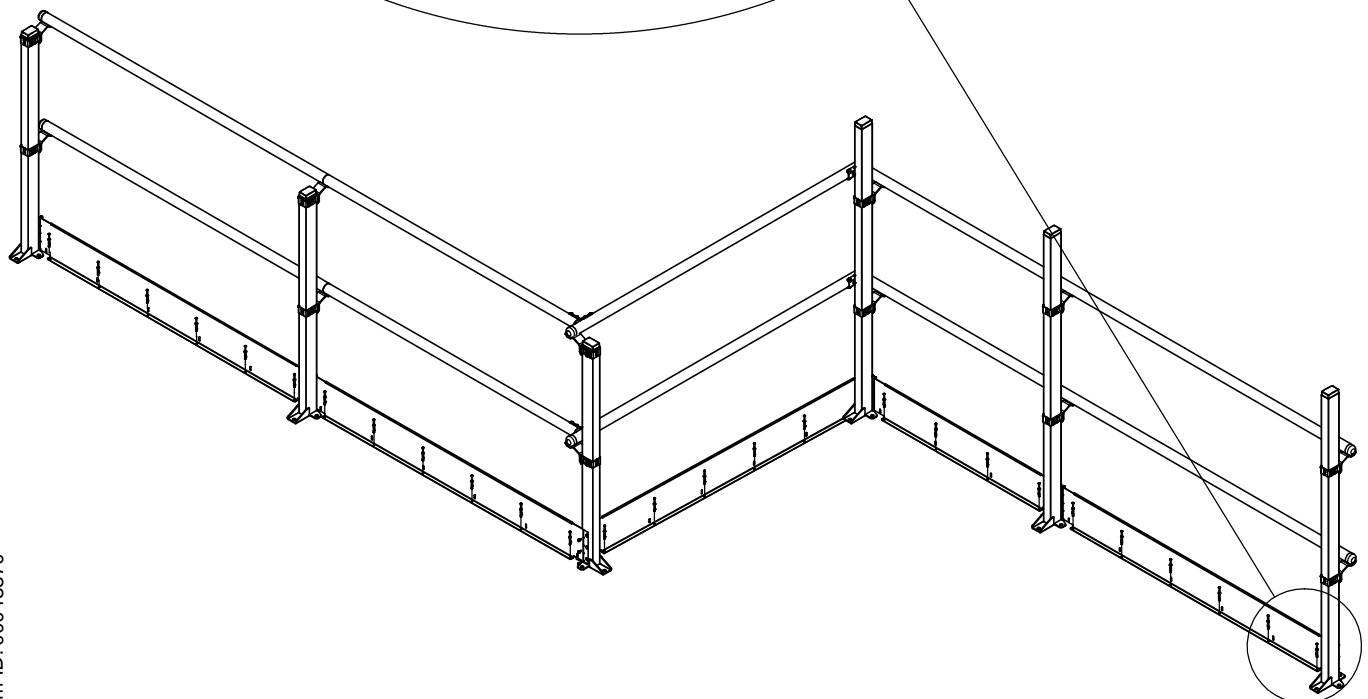
Mezzguard

Mezzguard

Kickplates



89300045



SmartTeam ID: 00048870